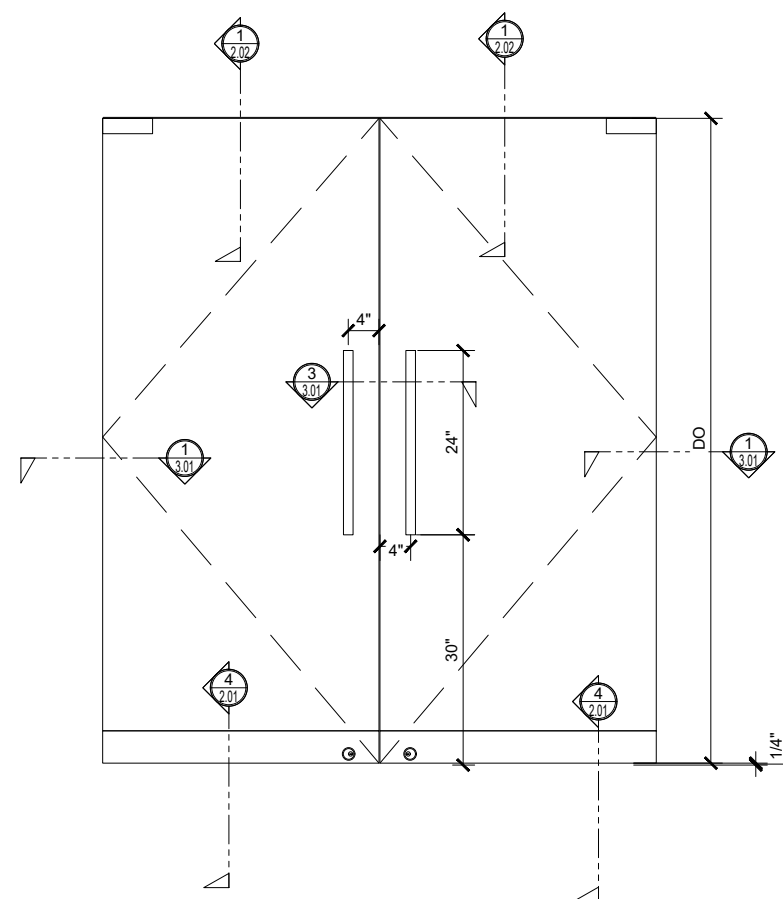


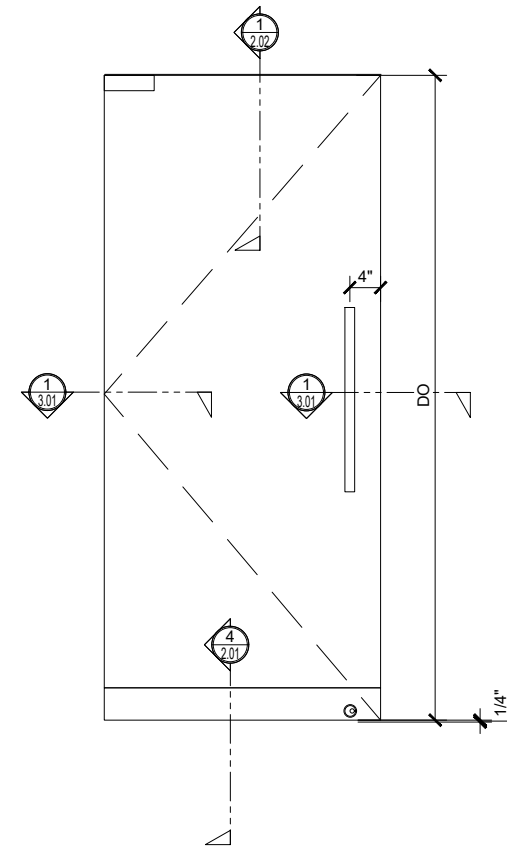
1 ELEVATION (PAIR W/ SIDELITES)

ARCH REF: SCALE: 1"=1'-0"



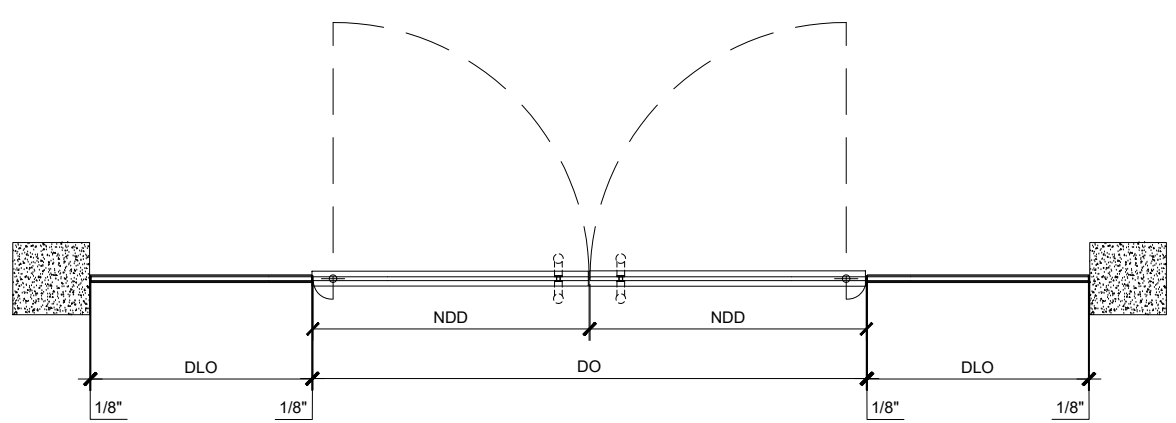
3 ELEVATION (PAIR)

ARCH REF: SCALE: 1"=1'-0"



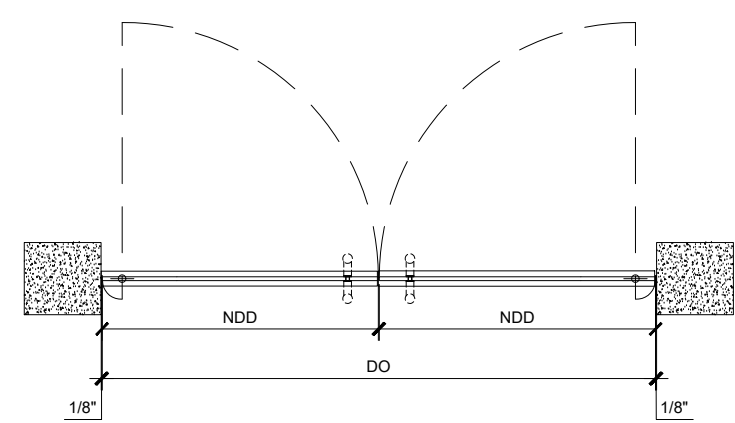
5 ELEVATION (SINGLE)

ARCH REF: SCALE: 1"=1'-0"



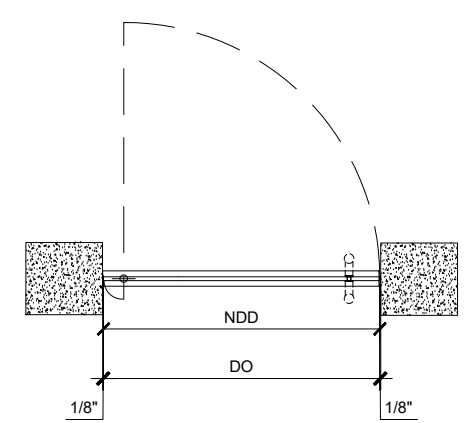
2 PLAN VIEW (PAIR W/ SIDELITES)

ARCH REF: SCALE: 1"=1'-0"



4 PLAN VIEW (PAIR)

ARCH REF: SCALE: 1"=1'-0"



6 PLAN VIEW (SINGLE)

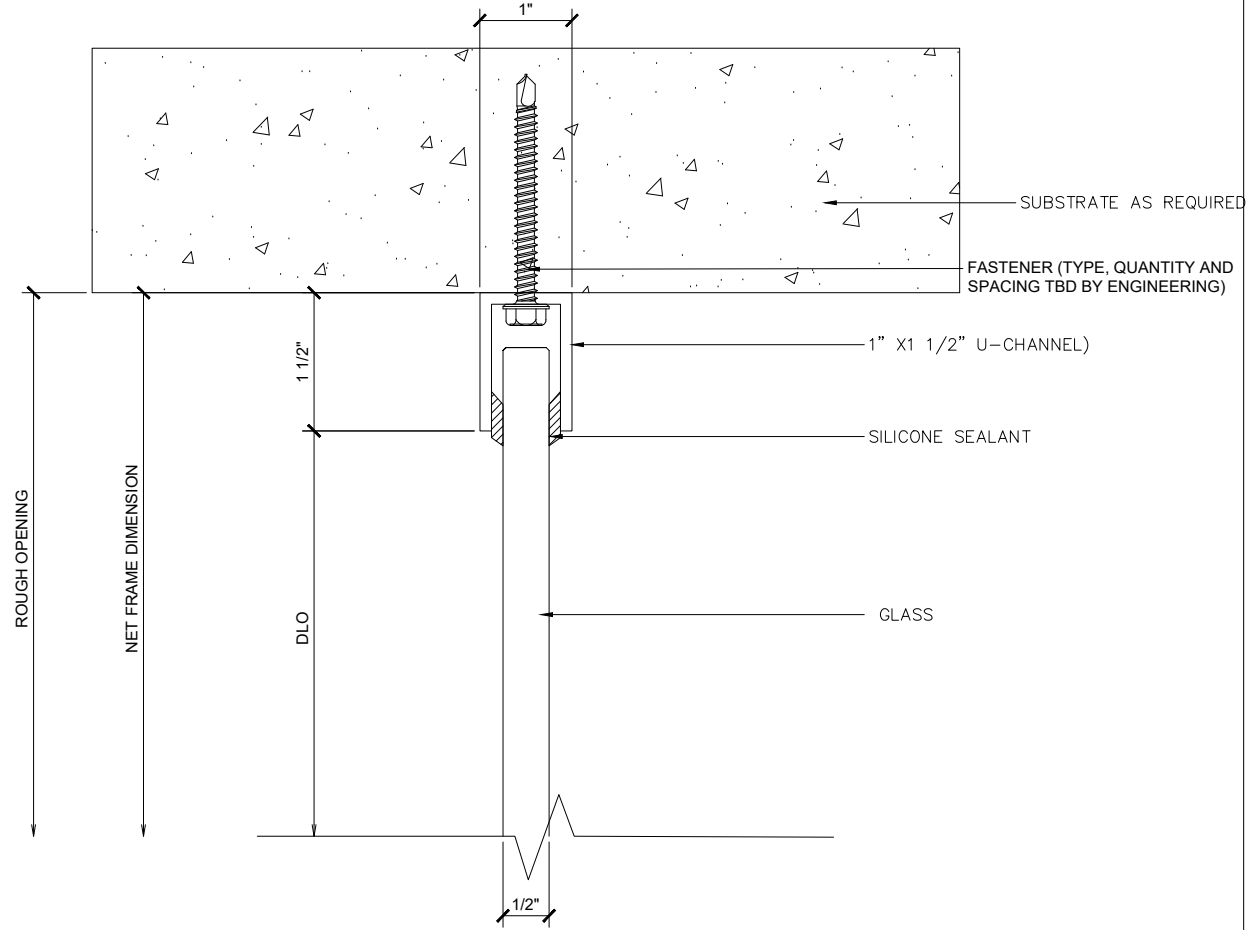
ARCH REF: SCALE: 1"=1'-0"

ABBREVIATIONS

RO	ROUGH OPENING
FD	FRAME DIMENSION
DLO	DAYLIGHT OPENING
DO	DOOR OPENING
NDD	NET DOOR DIMENSION
SMC	SURFACE MOUNTED CLOSER
OHCC	OVERHEAD CONCEALED CLOSER
SO	SIDELITE OPENING

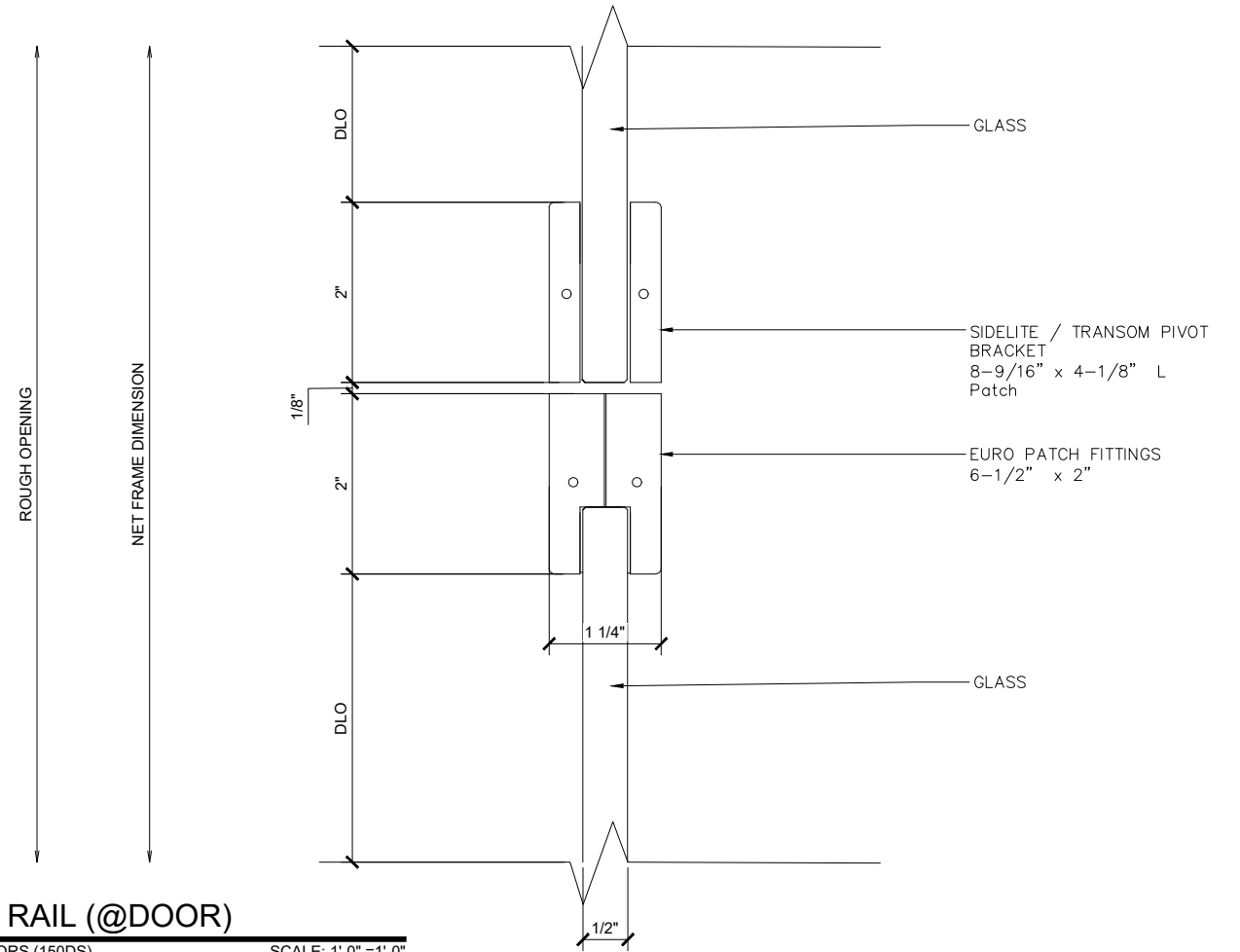
SPECIFICATIONS

DOOR TYPE	BP STYLE
AVAILABLE FINISHES	CLEAR AND BRONZE ANODIZED POLISHED AND BRUSHED S.S.
GLASS TYPE	MONOLITHIC AND LAMINATED
GLASS THICKNESS	3/4" - 5/8" - 3/4"
CLOSER	OVERHEAD AND FLOOR CLOSER



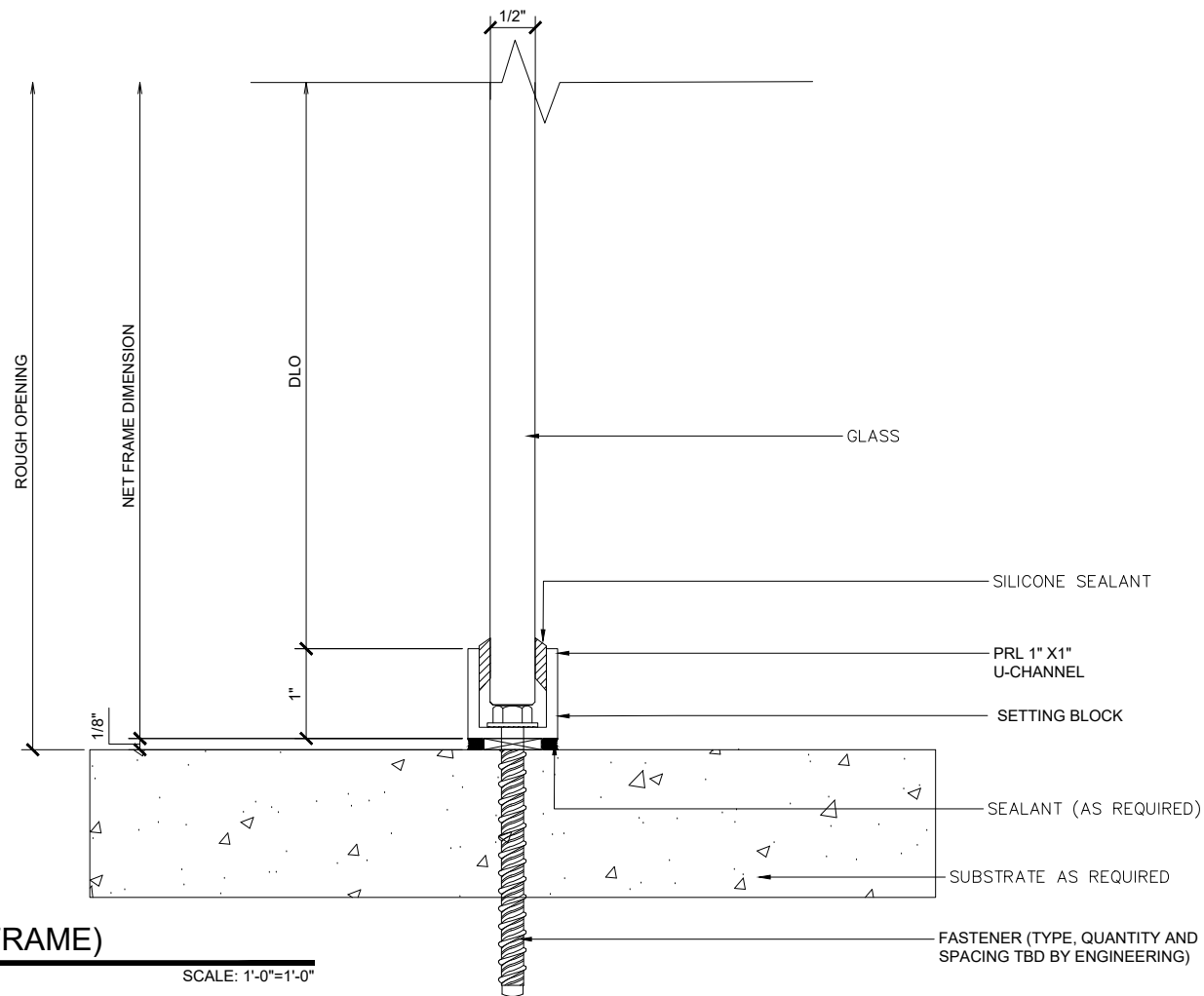
① HEAD (@FRAME)

ARCH REF: SCALE: 1'-0"=1'-0"



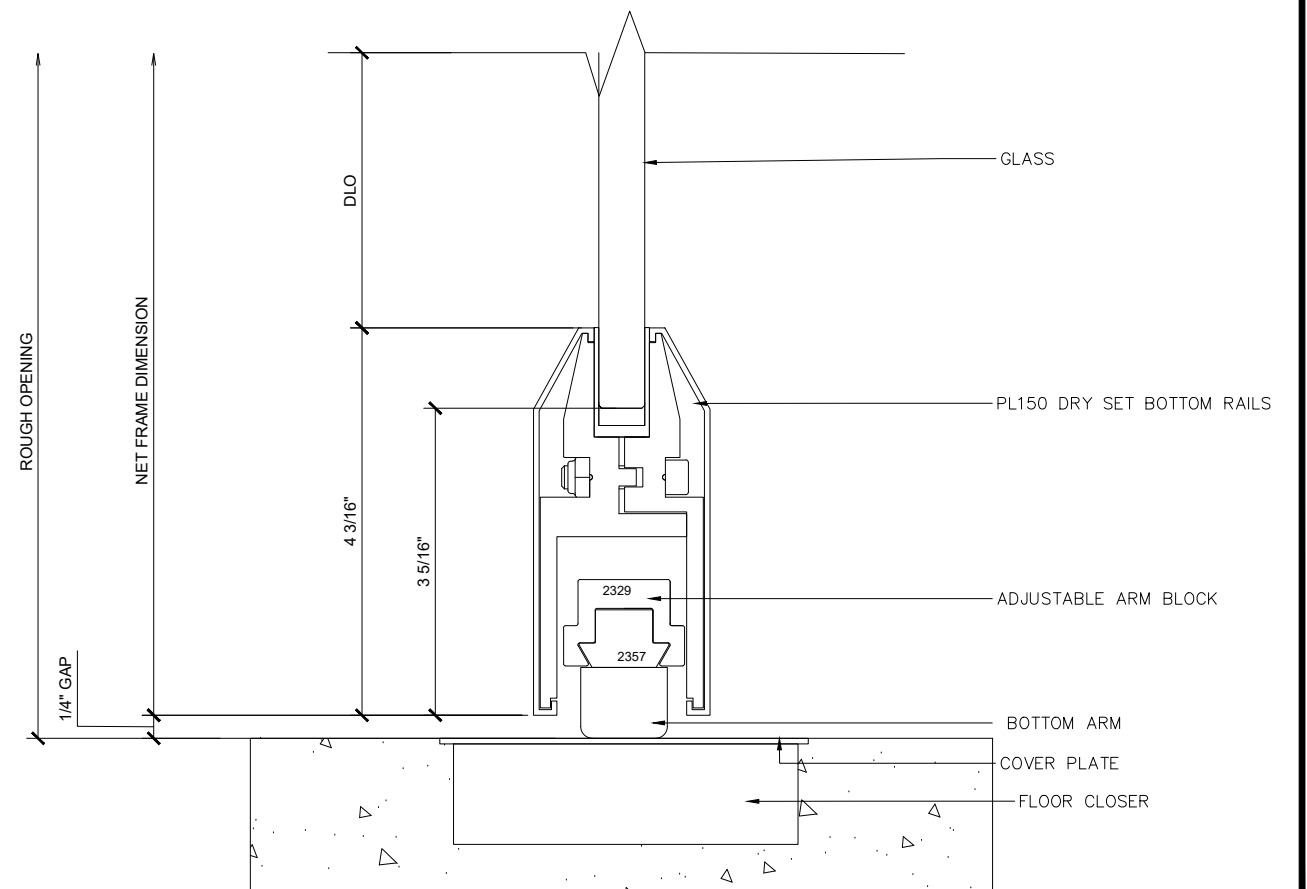
③ TOP RAIL (@DOOR)

BP - STYLE DOORS (150DS) SCALE: 1'-0"=1'-0"



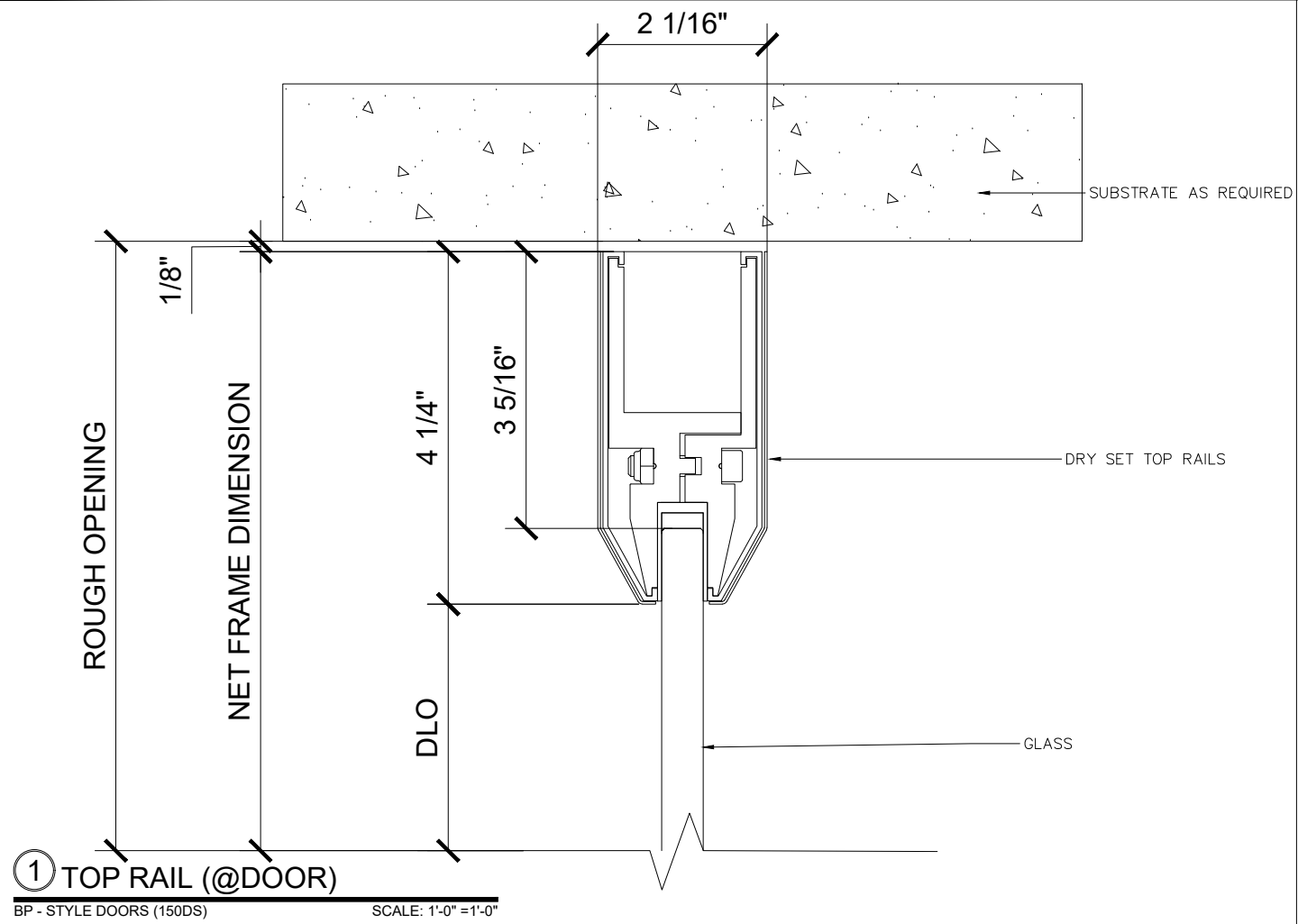
② SILL (@FRAME)

ARCH REF: SCALE: 1'-0"=1'-0"



④ BOTTOM RAIL (@DOOR)

BP - STYLE DOORS (150DS) SCALE: 1'-0"=1'-0"



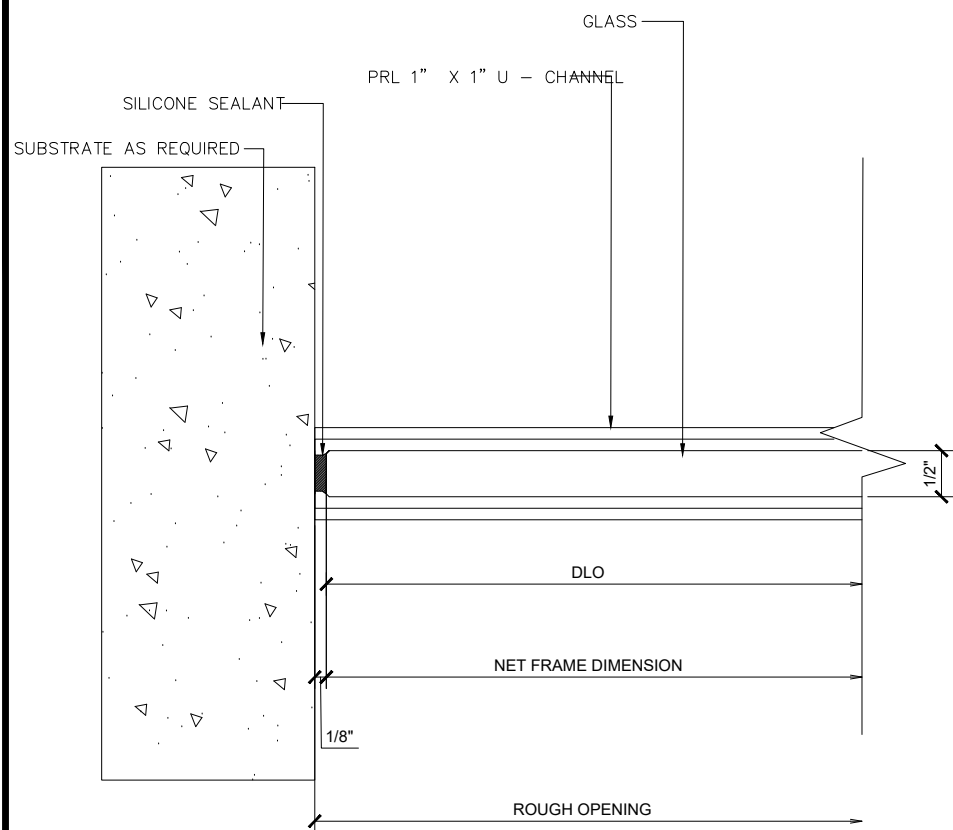
ADDRESS: 13644 NELSON AVE. CITY OF INDUSTRY, CA.
 TEL: (877) 775-2586
 FAX No.: (626) 968-9256
 WEBSITE: www.prlglass.com www.prlaluminum.com

ALL GLASS ENTRANCE DOORS
 BP STYLE

Drawn By: BIM team
 Date: 09/25/2024
 Scale: AS NOTED

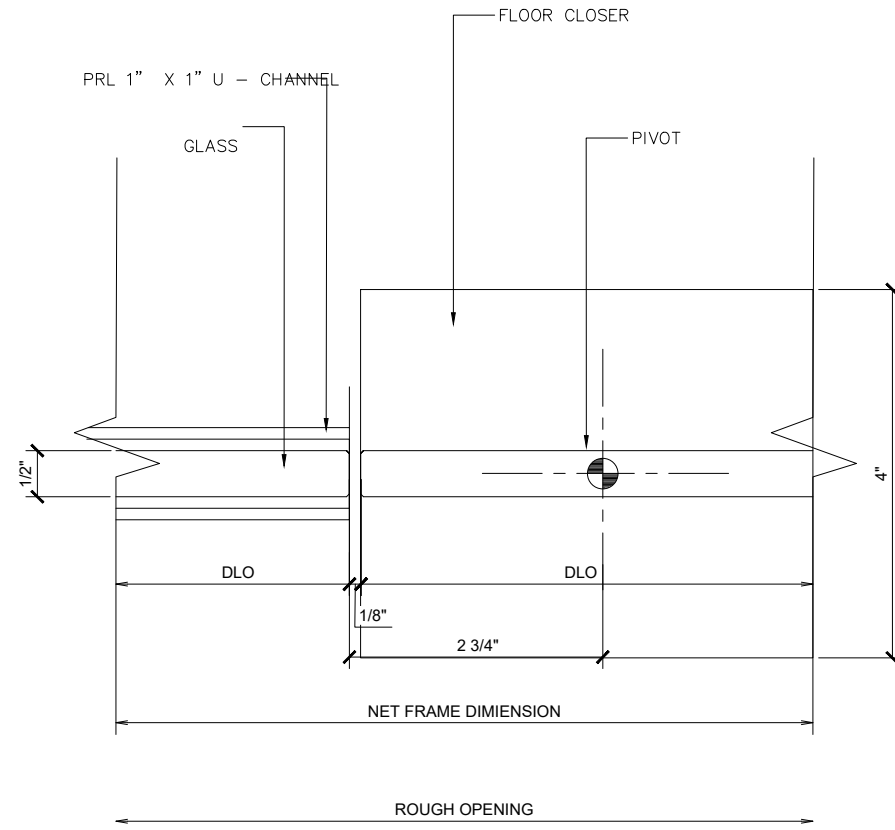
Sheet No.
2.02





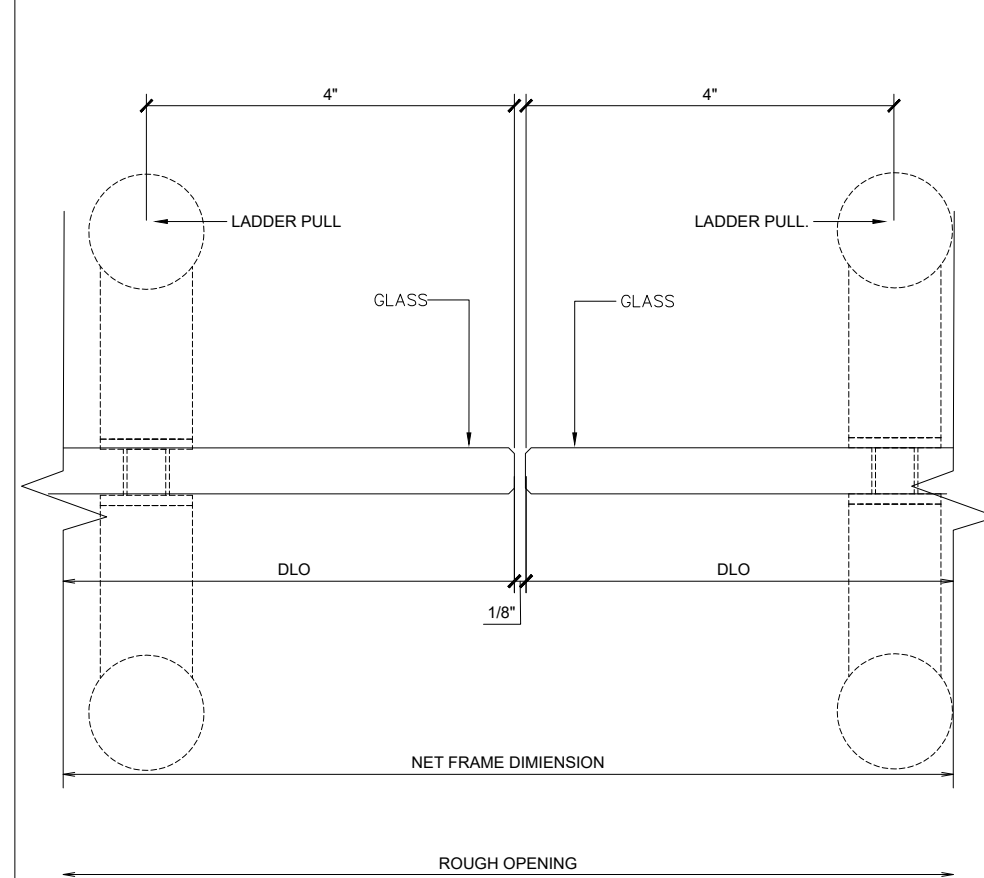
① JAMB (@FRAME)

ARCH REF: SCALE: 1'-0"=1'-0"



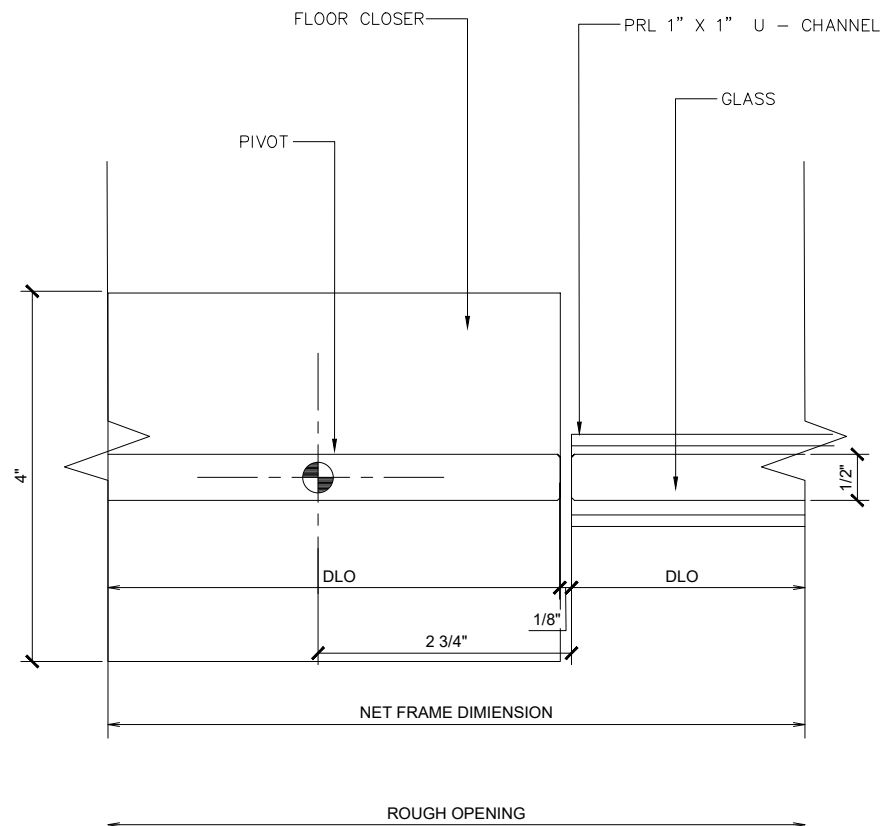
② HORIZONTAL (@FRAME & DOOR)

ARCH REF: SCALE: 1'-0"=1'-0"



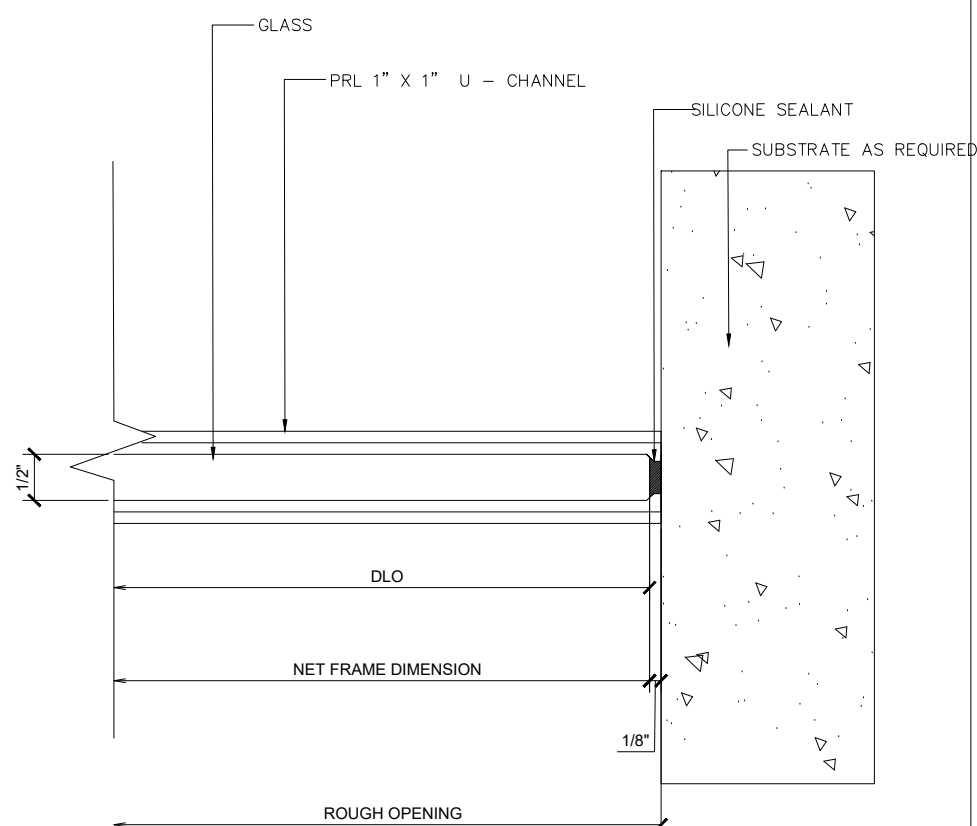
③ HORIZONTAL (@DOOR)

ARCH REF: SCALE: 1'-0"=1'-0"



④ HORIZONTAL (@FRAME & DOOR)

ARCH REF: SCALE: 1'-0"=1'-0"



⑤ HORIZONTAL (@FRAME)

ARCH REF: SCALE: 1'-0"=1'-0"



ADDRESS: 13644 NELSON AVE. CITY OF INDUSTRY, CA.

TEL: (877) 775-2586

FAX No.: (626) 968-9256

WEBSITE: www.prlglass.com www.prlaluminum.com

ALL GLASS ENTRANCE DOORS

BP STYLE

Drawn By: BIM team

Date: 09/25/2024

Scale: AS NOTED

Sheet No.

3.01