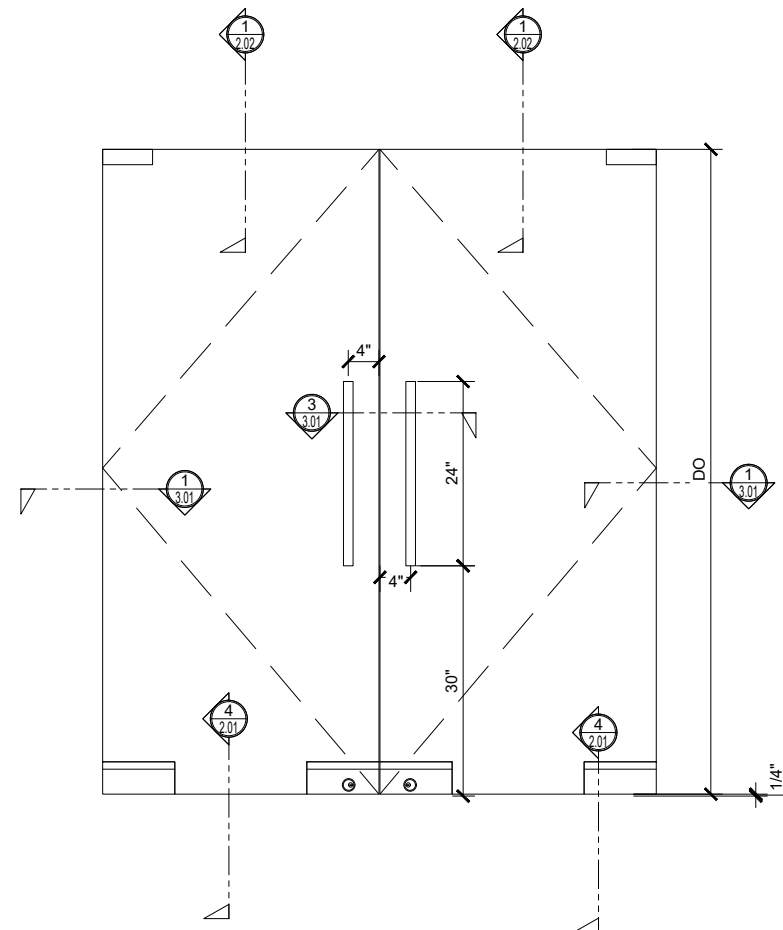


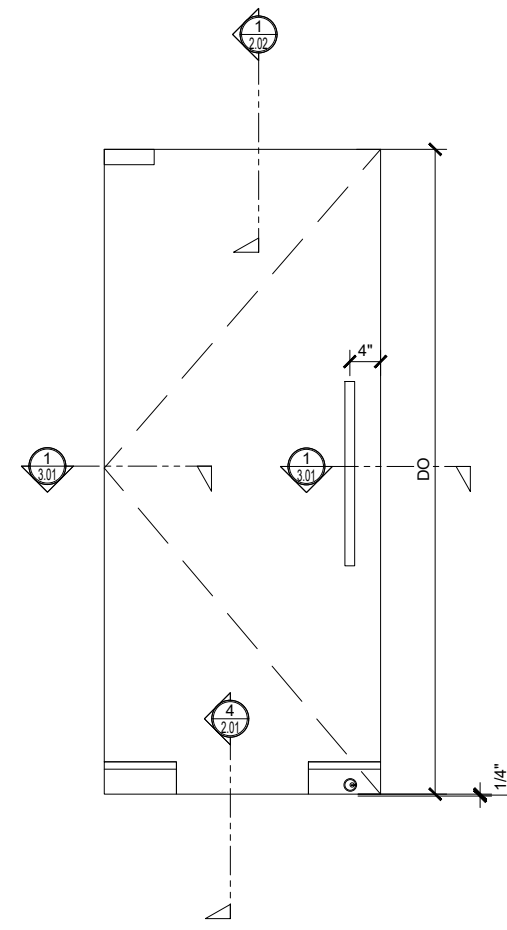
**① ELEVATION (PAIR W/ SIDELITES)**

ARCH REF: SCALE: 1"=1'-0"



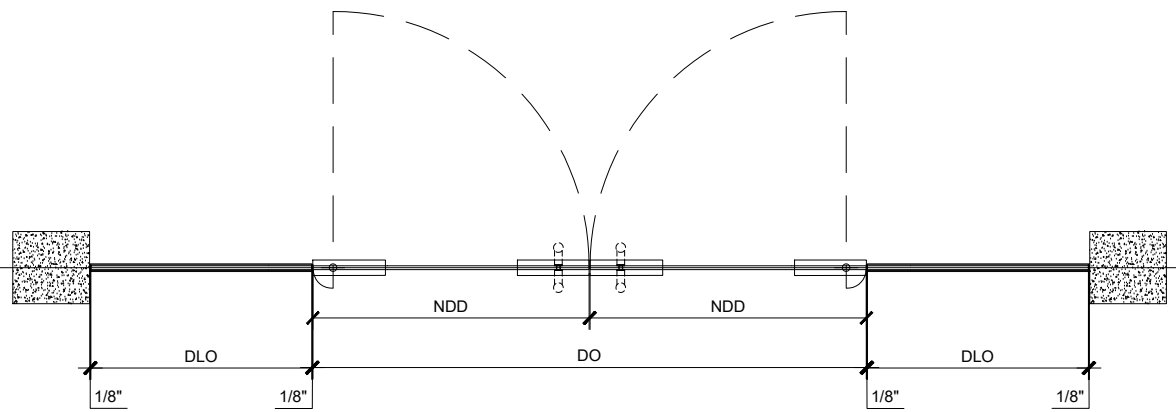
**③ ELEVATION (PAIR)**

ARCH REF: SCALE: 1"=1'-0"



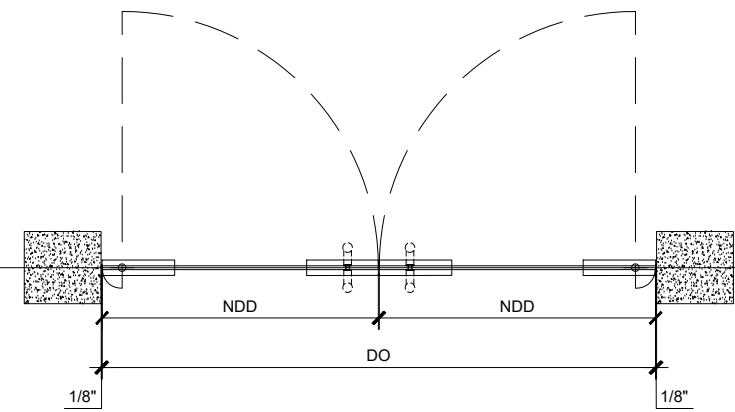
**⑤ ELEVATION (SINGLE)**

ARCH REF: SCALE: 1"=1'-0"



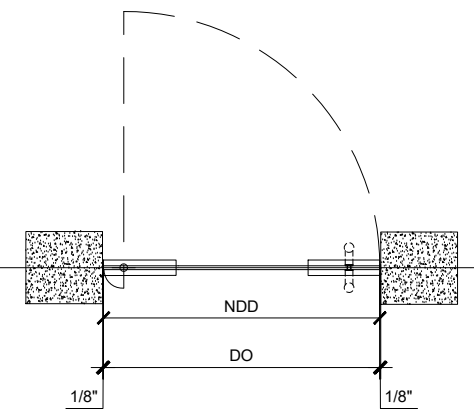
**② PLAN VIEW (PAIR W/ SIDELITES)**

ARCH REF: SCALE: 1"=1'-0"



**④ PLAN VIEW (PAIR)**

ARCH REF: SCALE: 1"=1'-0"



**⑥ PLAN VIEW (SINGLE)**

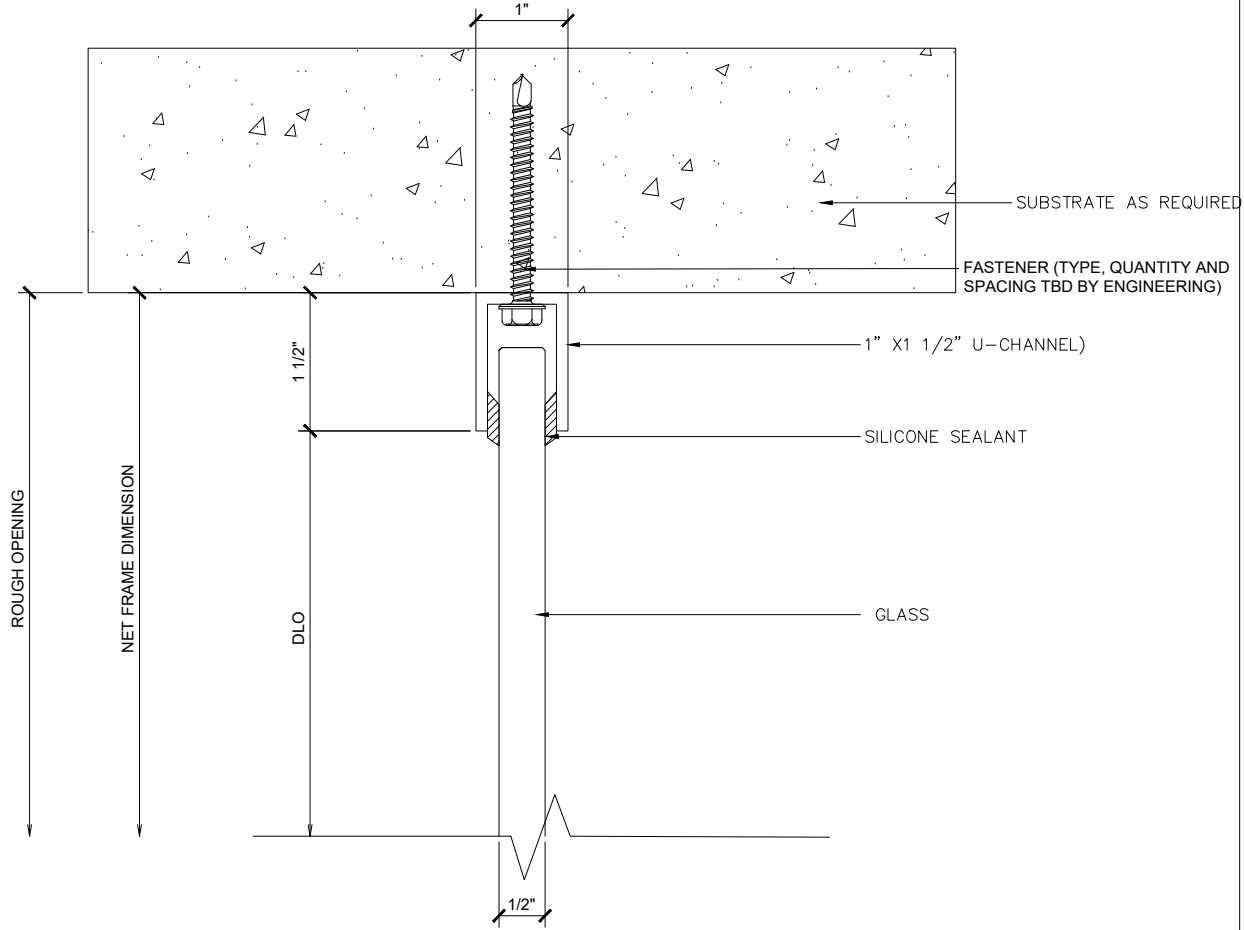
ARCH REF: SCALE: 1"=1'-0"

**ABBREVIATIONS**

RO	ROUGH OPENING
FD	FRAME DIMENSION
DLO	DAYLIGHT OPENING
DO	DOOR OPENING
NDD	NET DOOR DIMENSION
SMC	SURFACE MOUNTED CLOSER
OHCC	OVERHEAD CONCEALED CLOSER
SO	SIDELITE OPENING

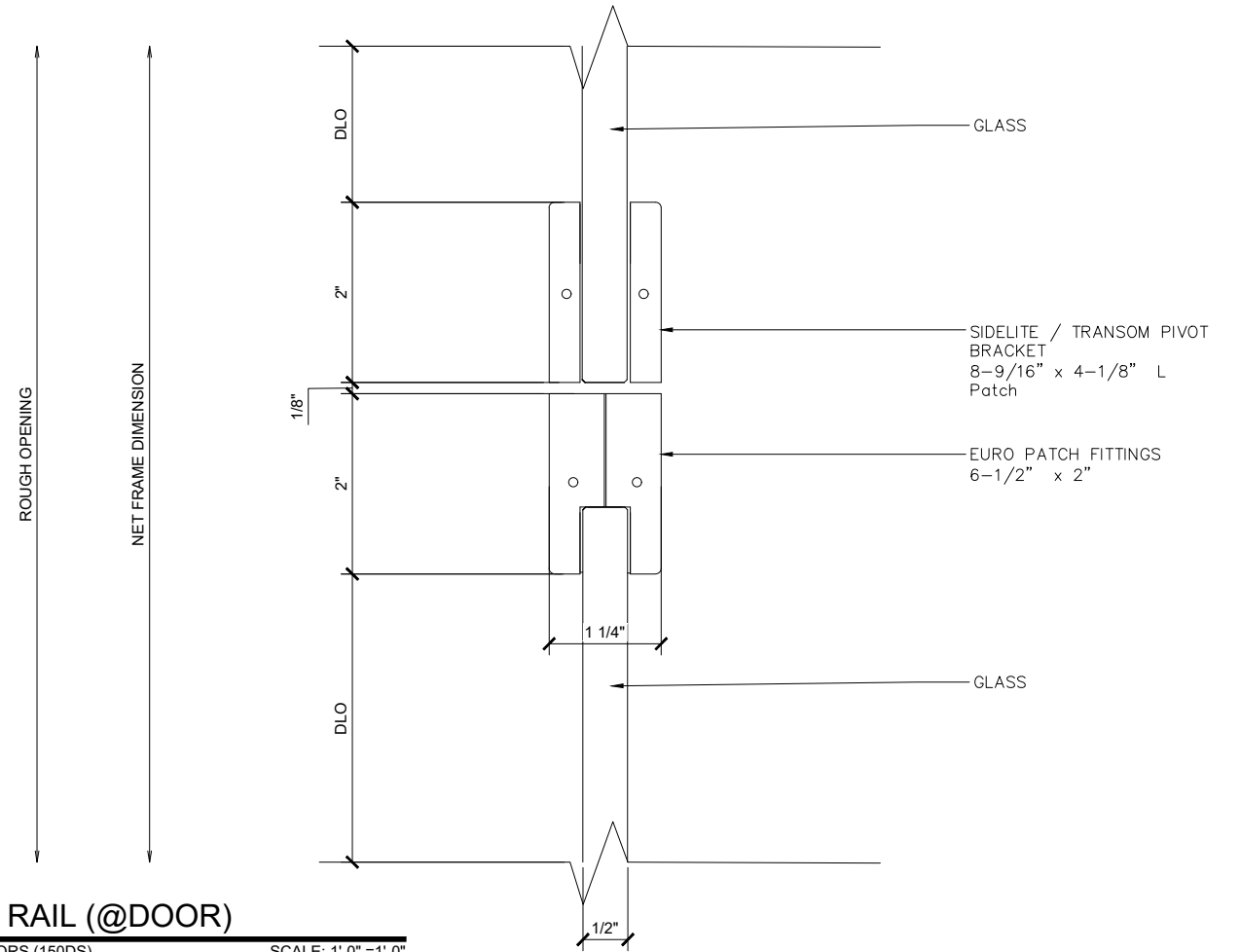
**SPECIFICATIONS**

DOOR TYPE	F STYLE
AVAILABLE FINISHES	CLEAR AND BRONZE ANODIZED   POLISHED AND BRUSHED S.S.
GLASS TYPE	MONOLITHIC AND LAMINATED
GLASS THICKNESS	3/4" - 5/8" - 3/4"
CLOSER	OVERHEAD AND FLOOR CLOSER



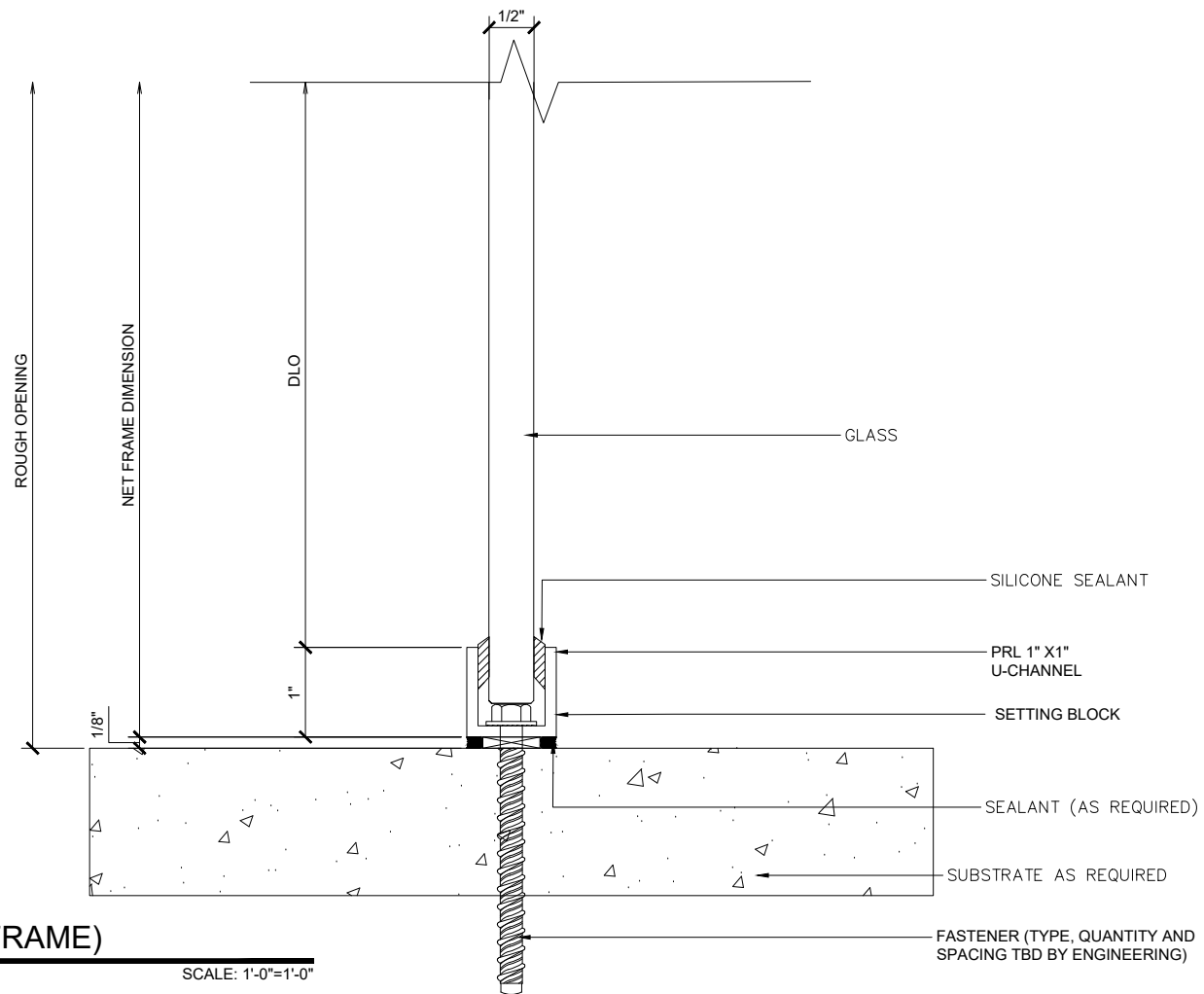
① HEAD (@FRAME)

ARCH REF: SCALE: 1'-0"=1'-0"



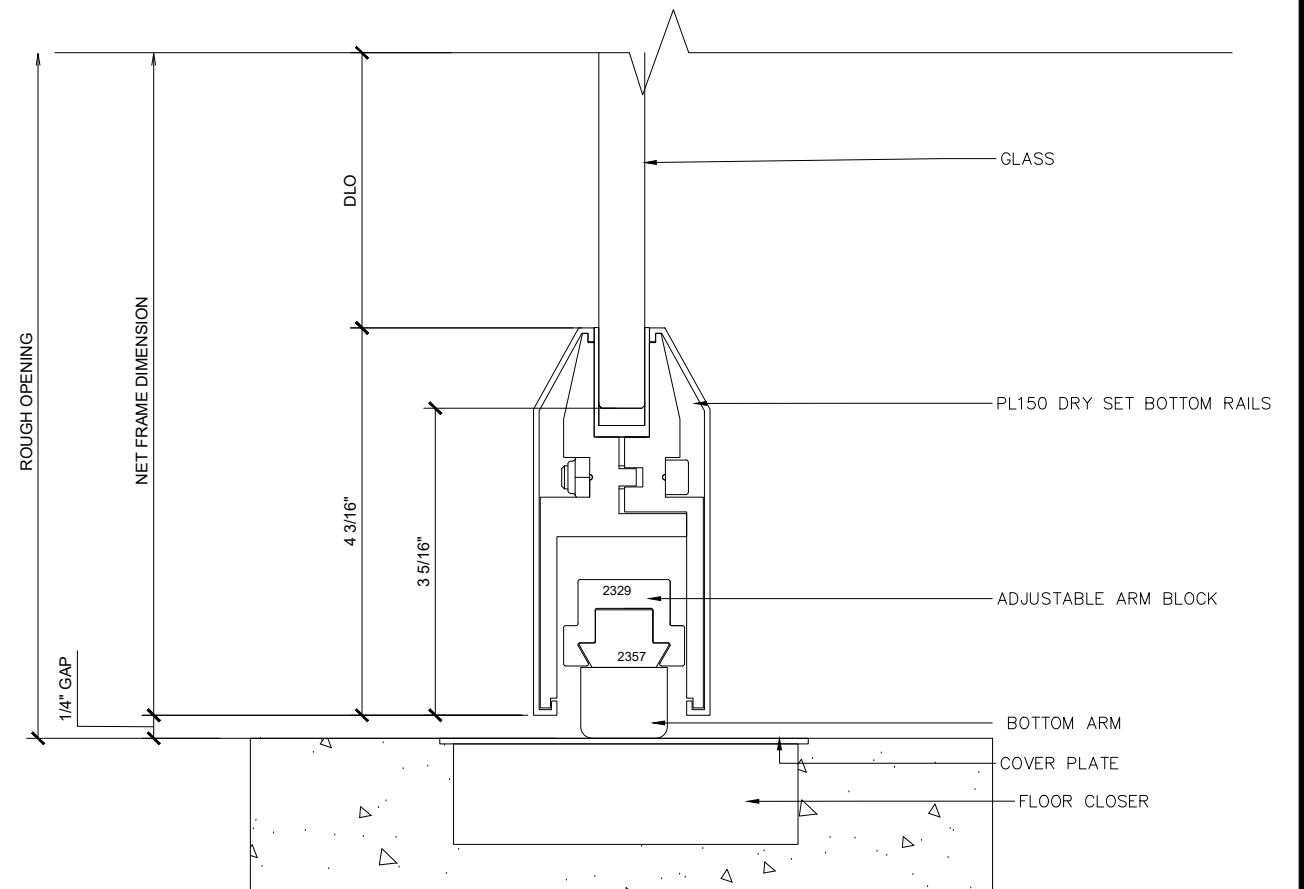
③ TOP RAIL (@DOOR)

BP - STYLE DOORS (150DS) SCALE: 1'-0"=1'-0"



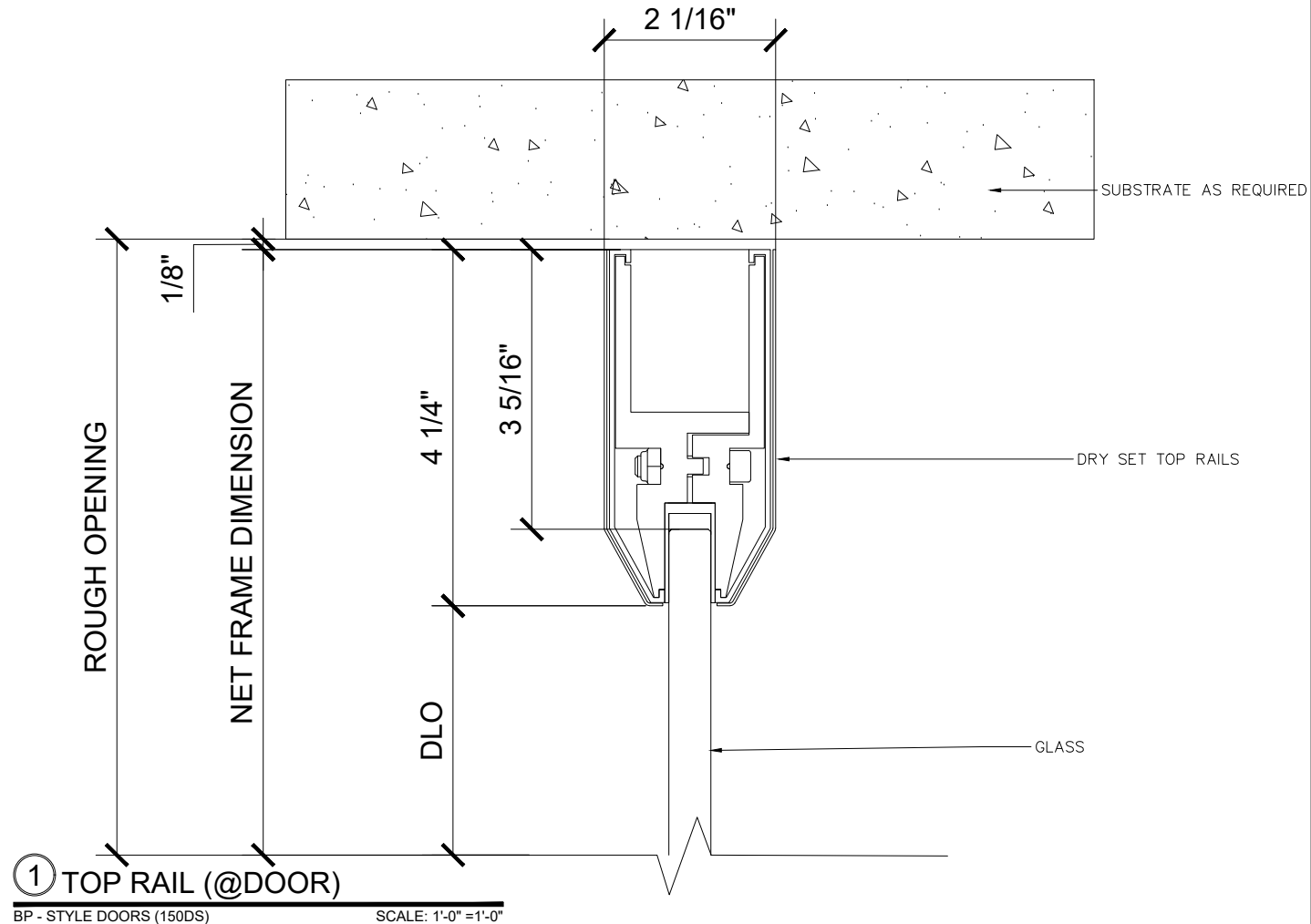
② SILL (@FRAME)

ARCH REF: SCALE: 1'-0"=1'-0"



④ BOTTOM RAIL (@DOOR)

BP - STYLE DOORS (150DS) SCALE: 1'-0"=1'-0"

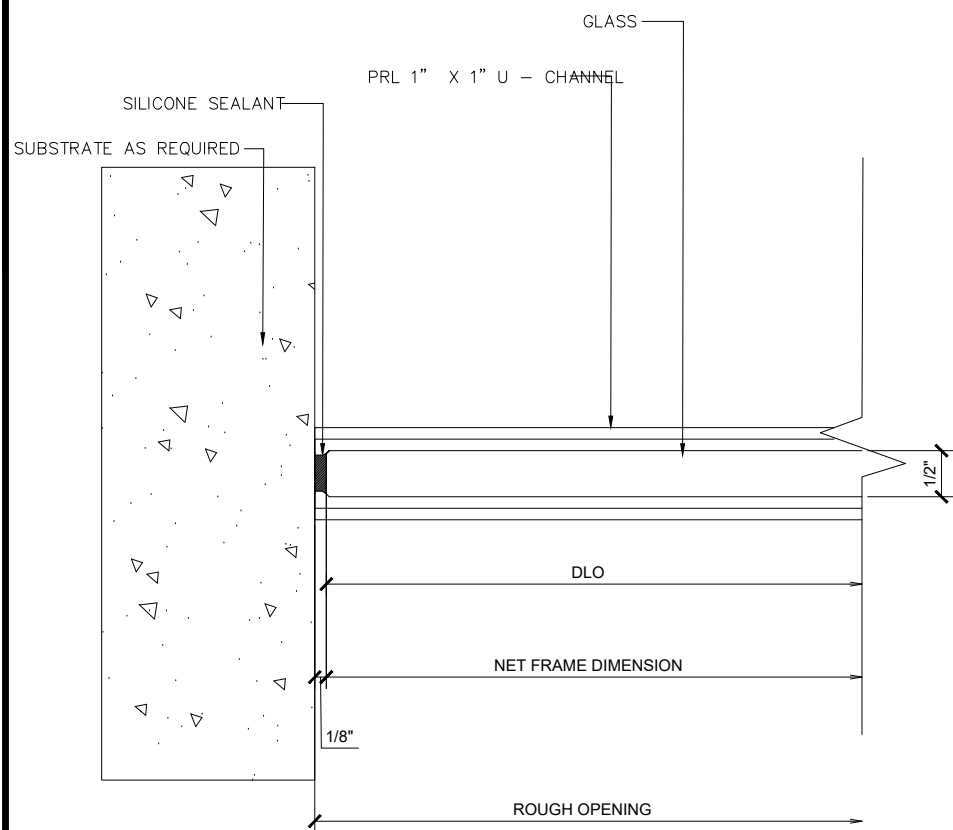


ADDRESS: 13644 NELSON AVE. CITY OF INDUSTRY, CA.  
 TEL: (877) 775-2586  
 FAX No.: (626) 968-9256  
 WEBSITE: www.prlglass.com www.prlaluminum.com

ALL GLASS ENTRANCE DOORS  
 F STYLE

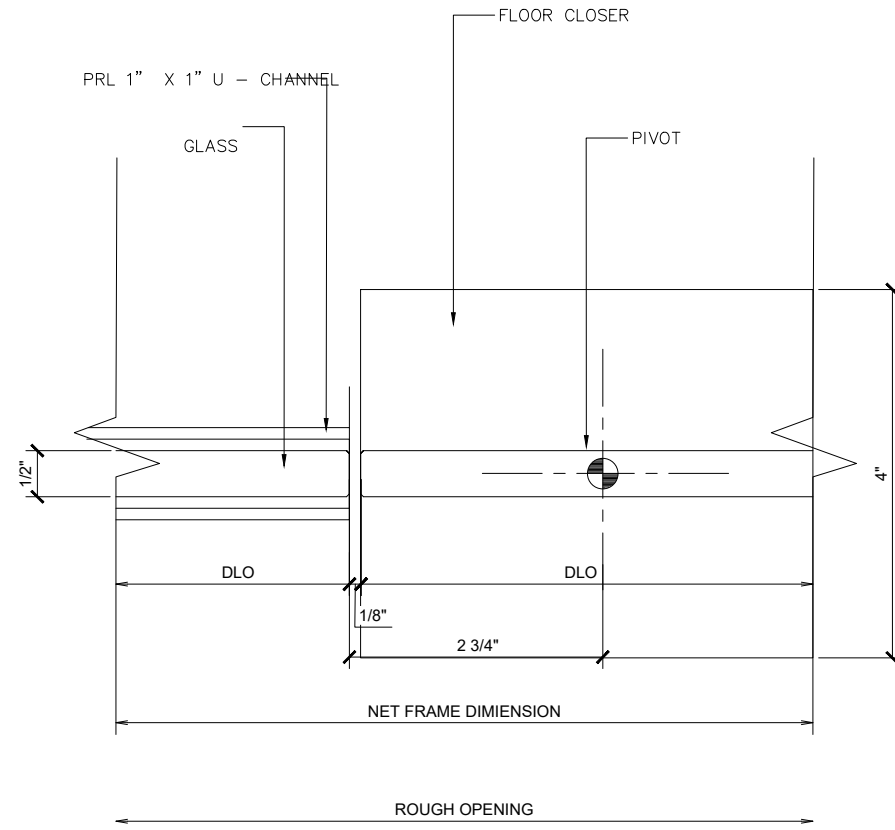
Drawn By: BIM team  
 Date: 09/25/2024  
 Scale: AS NOTED

Sheet No.  
**2.02**



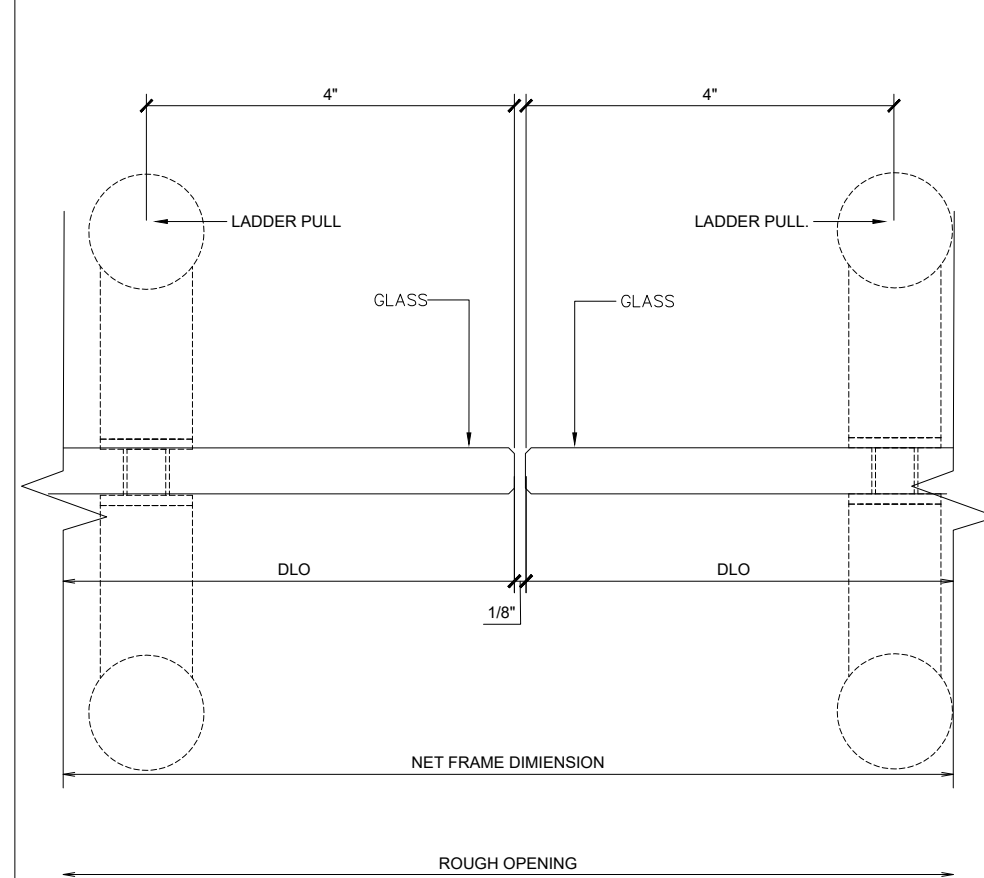
① JAMB (@FRAME)

ARCH REF: SCALE: 1'-0"=1'-0"



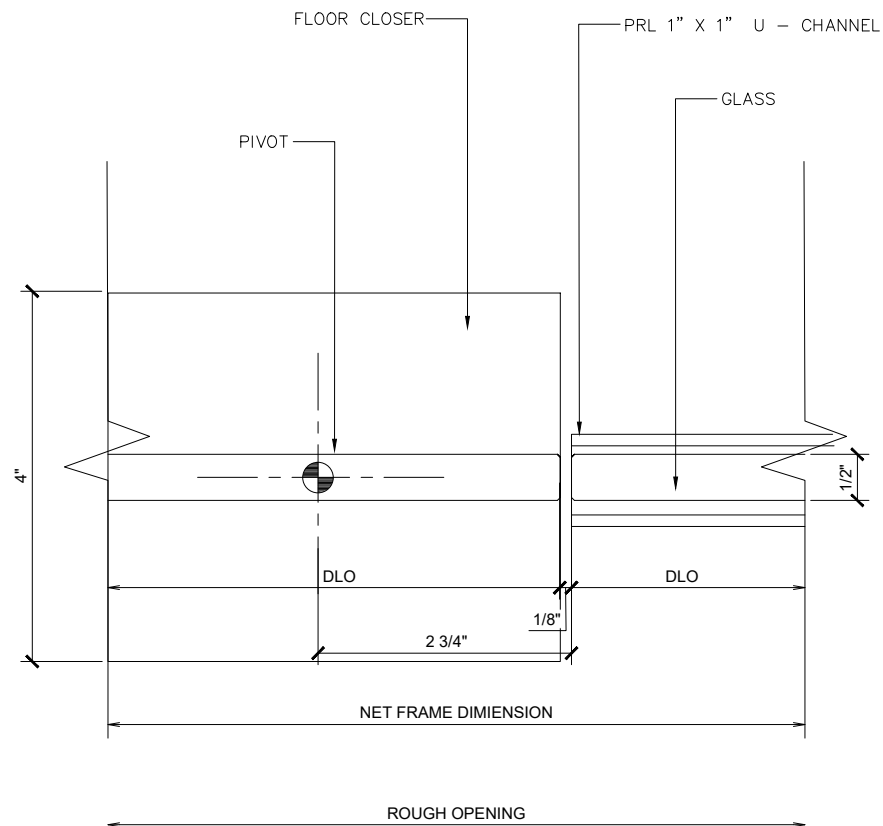
② HORIZONTAL (@FRAME & DOOR)

ARCH REF: SCALE: 1'-0"=1'-0"



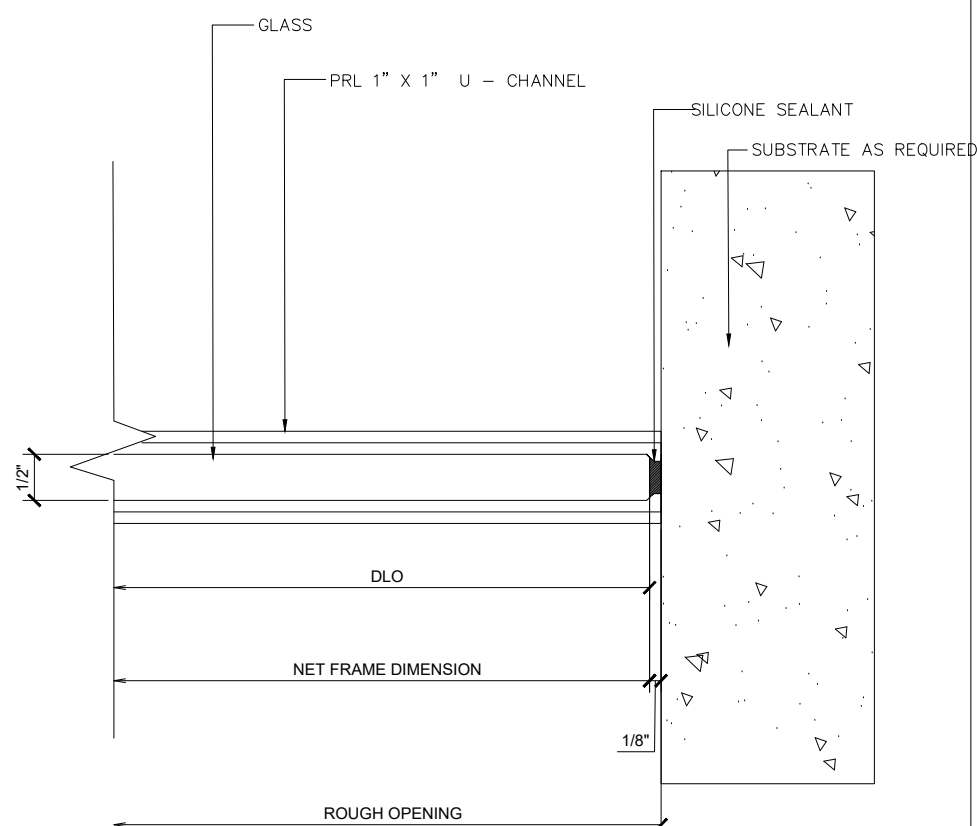
③ HORIZONTAL (@DOOR)

ARCH REF: SCALE: 1'-0"=1'-0"



④ HORIZONTAL (@FRAME & DOOR)

ARCH REF: SCALE: 1'-0"=1'-0"



⑤ HORIZONTAL (@FRAME)

ARCH REF: SCALE: 1'-0"=1'-0"



ADDRESS: 13644 NELSON AVE. CITY OF INDUSTRY, CA.

TEL: (877) 775-2586

FAX No.: (626) 968-9256

WEBSITE: www.prlglass.com www.prlaluminum.com

ALL GLASS ENTRANCE DOORS

F STYLE

Drawn By: BIM team

Date: 09/25/2024

Scale: AS NOTED

Sheet No.

3.01