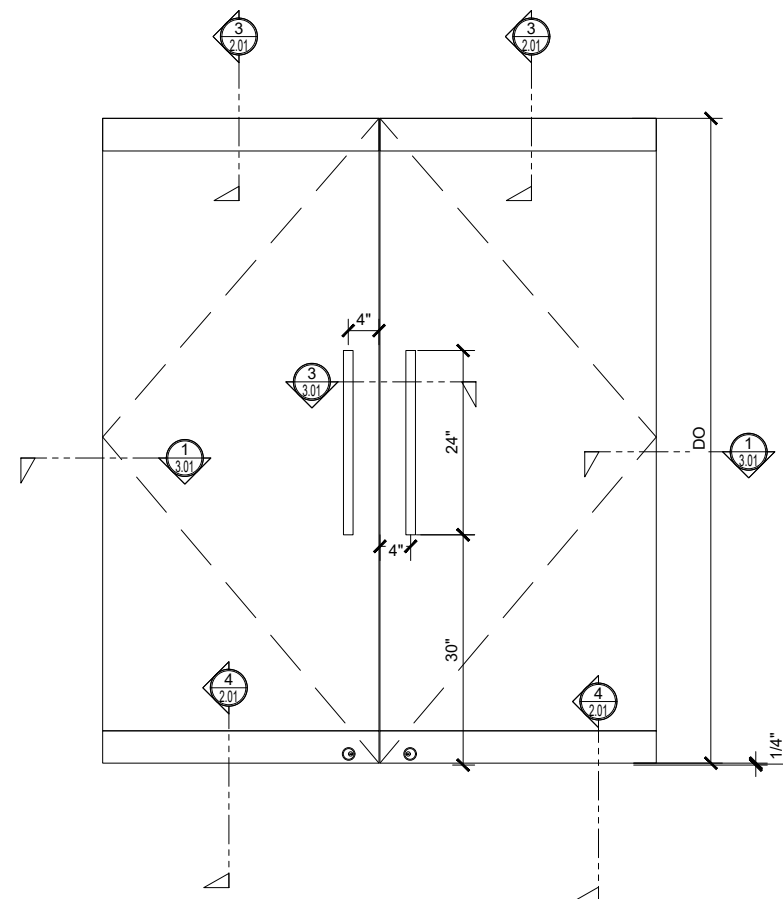
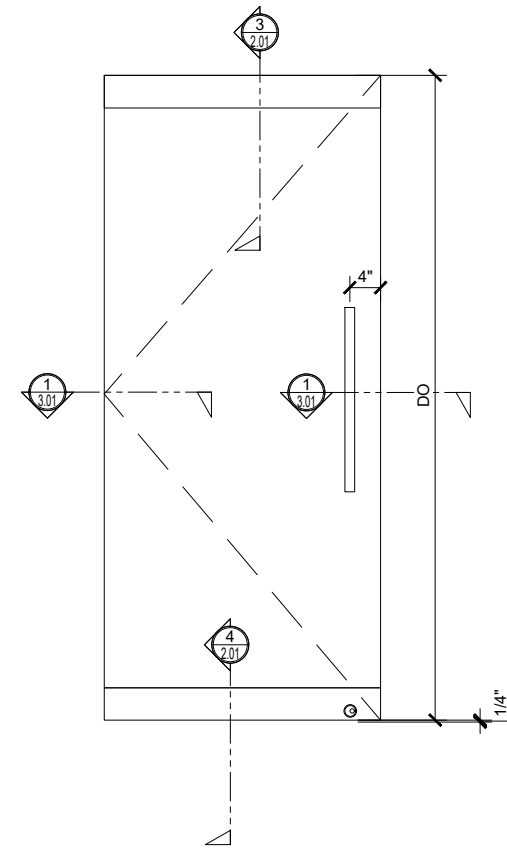


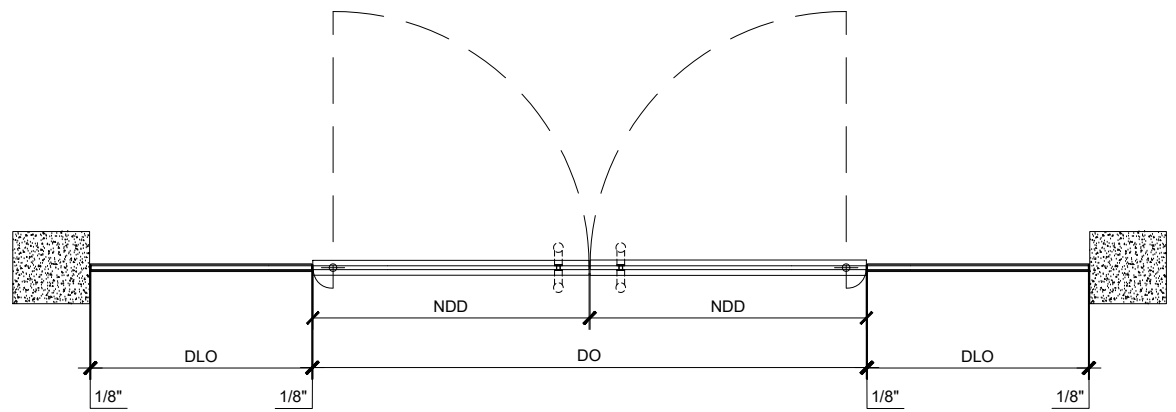
**1 ELEVATION (PAIR W/ SIDELITES)**  
ARCH REF: SCALE: 1"=1'-0"



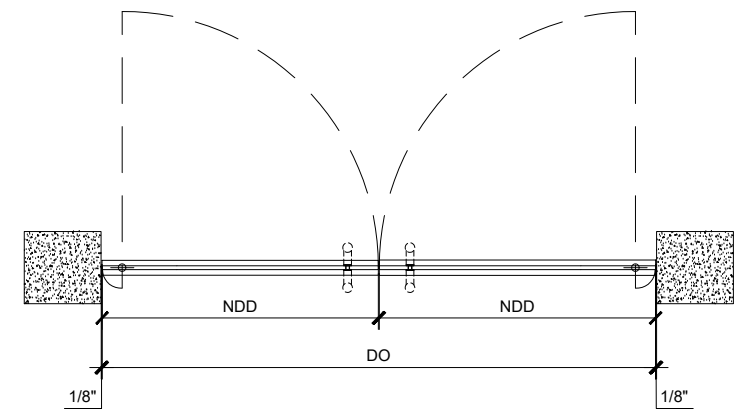
**3 ELEVATION (PAIR)**  
ARCH REF: SCALE: 1"=1'-0"



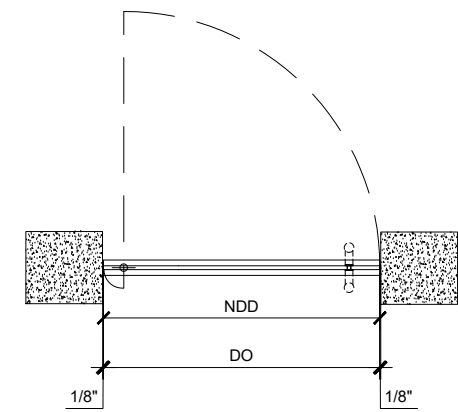
**5 ELEVATION (SINGLE)**  
ARCH REF: SCALE: 1"=1'-0"



**2 PLAN VIEW (PAIR W/ SIDELITES)**  
ARCH REF: SCALE: 1"=1'-0"



**4 PLAN VIEW (PAIR)**  
ARCH REF: SCALE: 1"=1'-0"



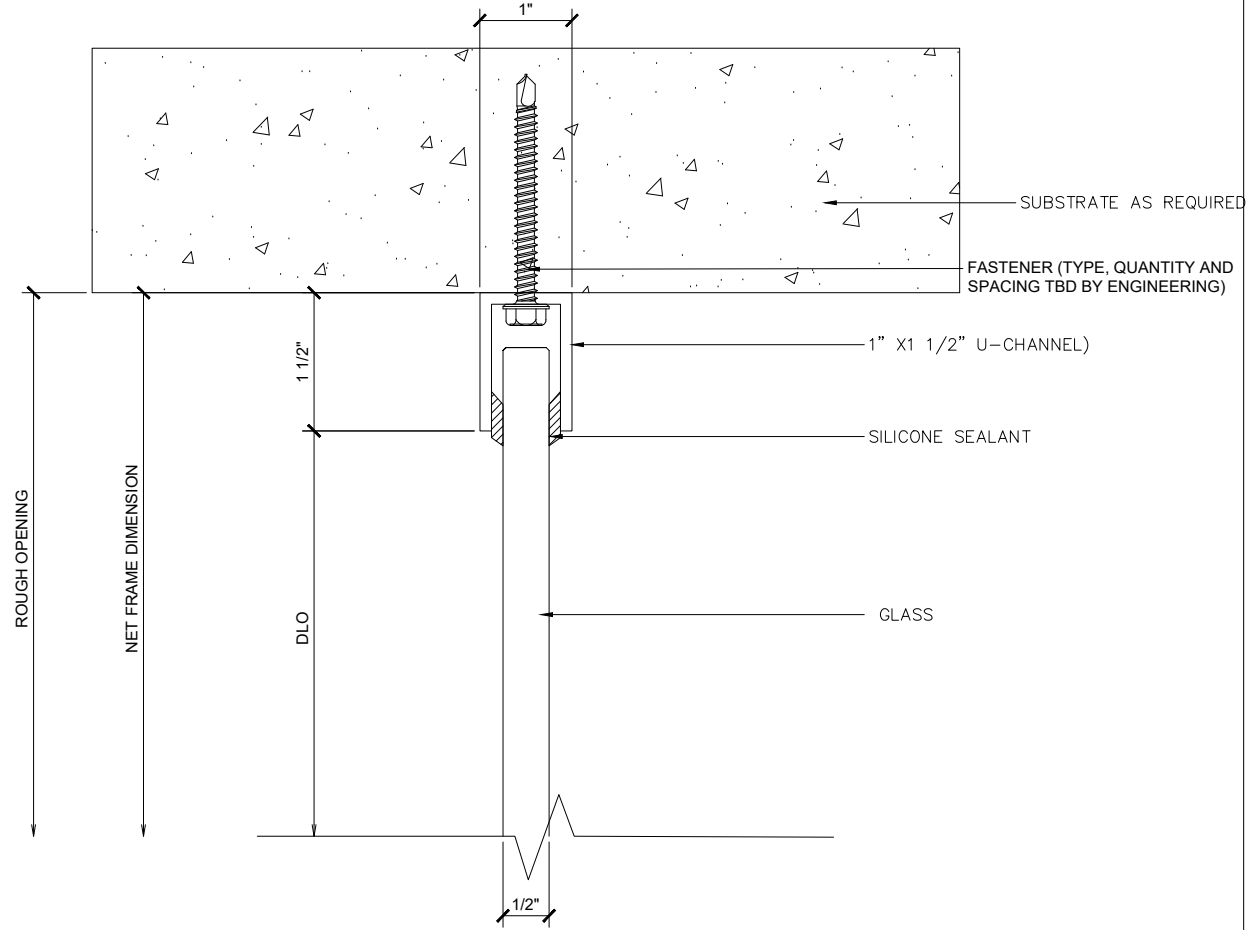
**6 PLAN VIEW (SINGLE)**  
ARCH REF: SCALE: 1"=1'-0"

**ABBREVIATIONS**

RO	ROUGH OPENING
FD	FRAME DIMENSION
DLO	DAYLIGHT OPENING
DO	DOOR OPENING
NDD	NET DOOR DIMENSION
SMC	SURFACE MOUNTED CLOSER
OHCC	OVERHEAD CONCEALED CLOSER
SO	SIDELITE OPENING

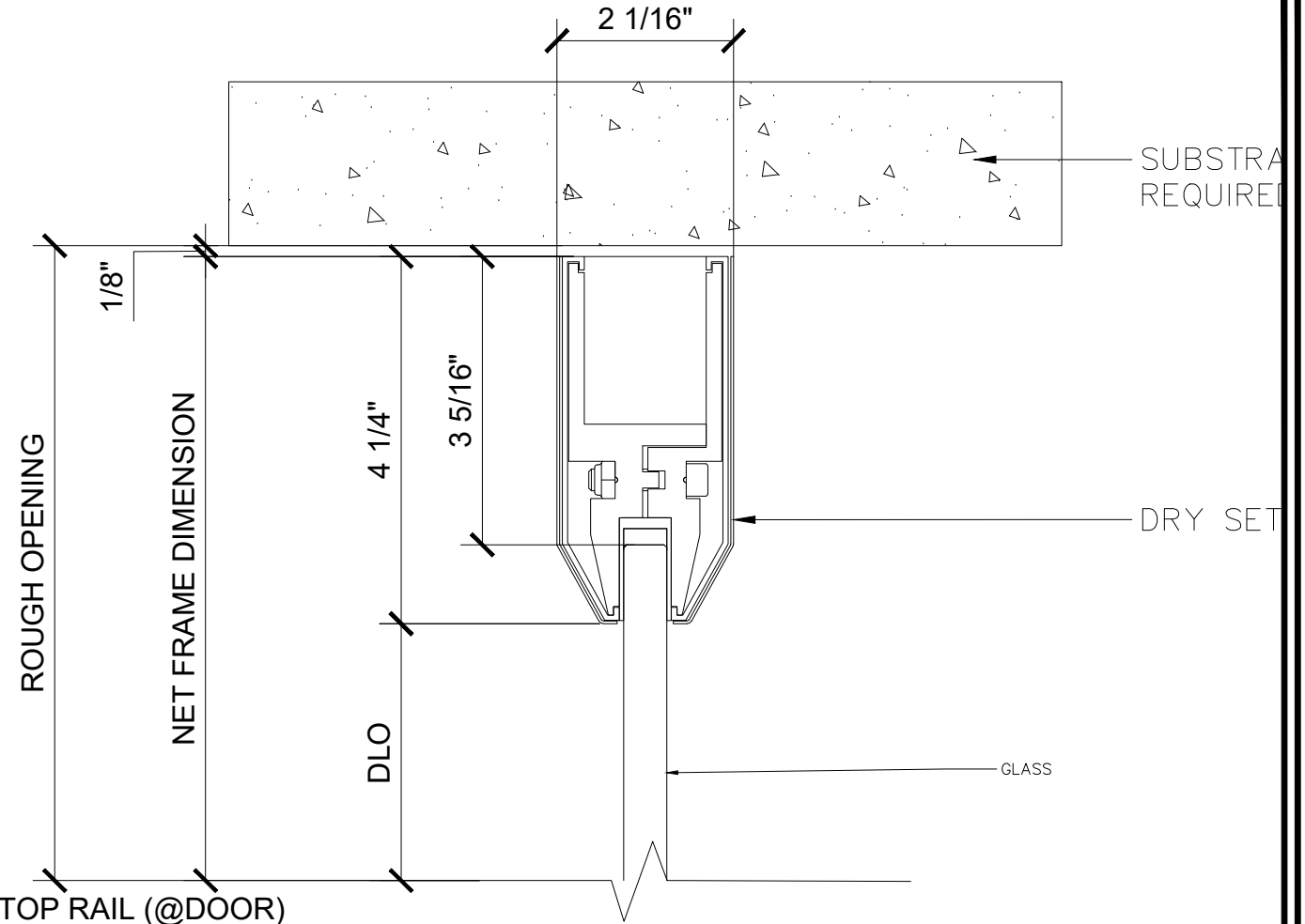
**SPECIFICATIONS**

DOOR TYPE	BP STYLE
AVAILABLE FINISHES	CLEAR AND BRONZE ANODIZED   POLISHED AND BRUSHED S.S.
GLASS TYPE	MONOLITHIC AND LAMINATED
GLASS THICKNESS	3/4" - 5/8" - 3/4"
CLOSER	OVERHEAD AND FLOOR CLOSER



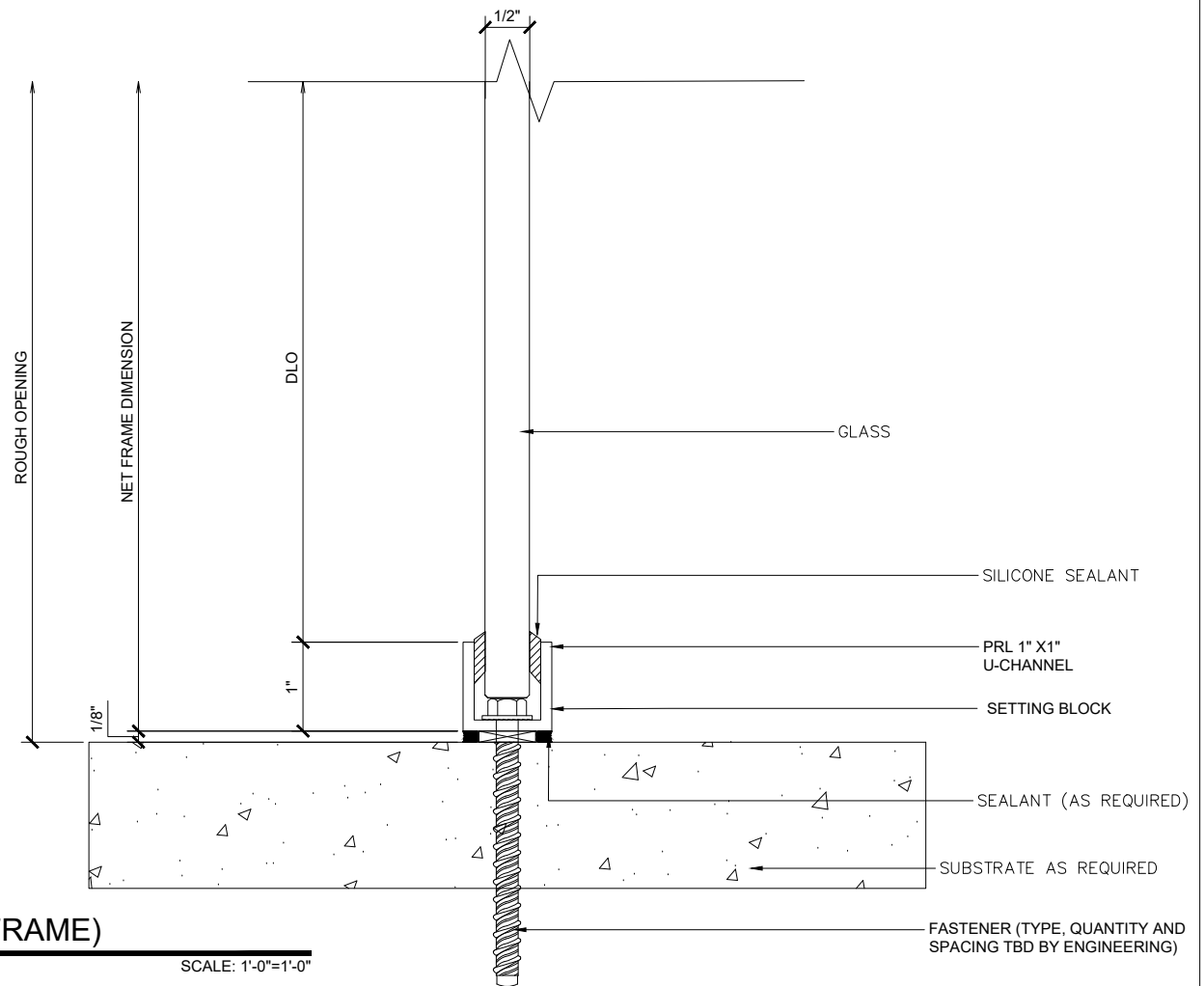
① HEAD (@FRAME)

ARCH REF: SCALE: 1'-0"=1'-0"



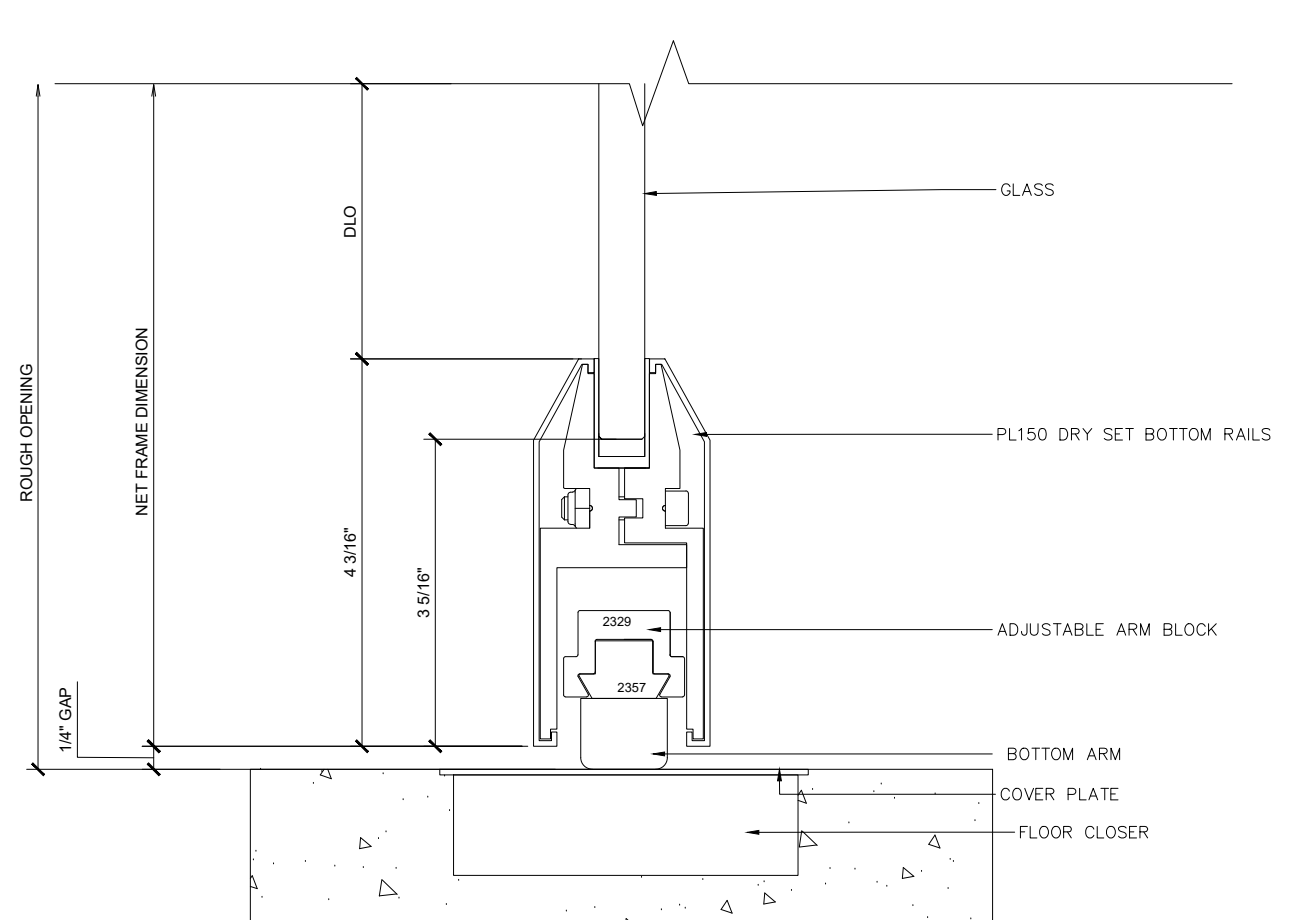
③ TOP RAIL (@DOOR)

BP - STYLE DOORS (150DS) SCALE: 1'-0"=1'-0"



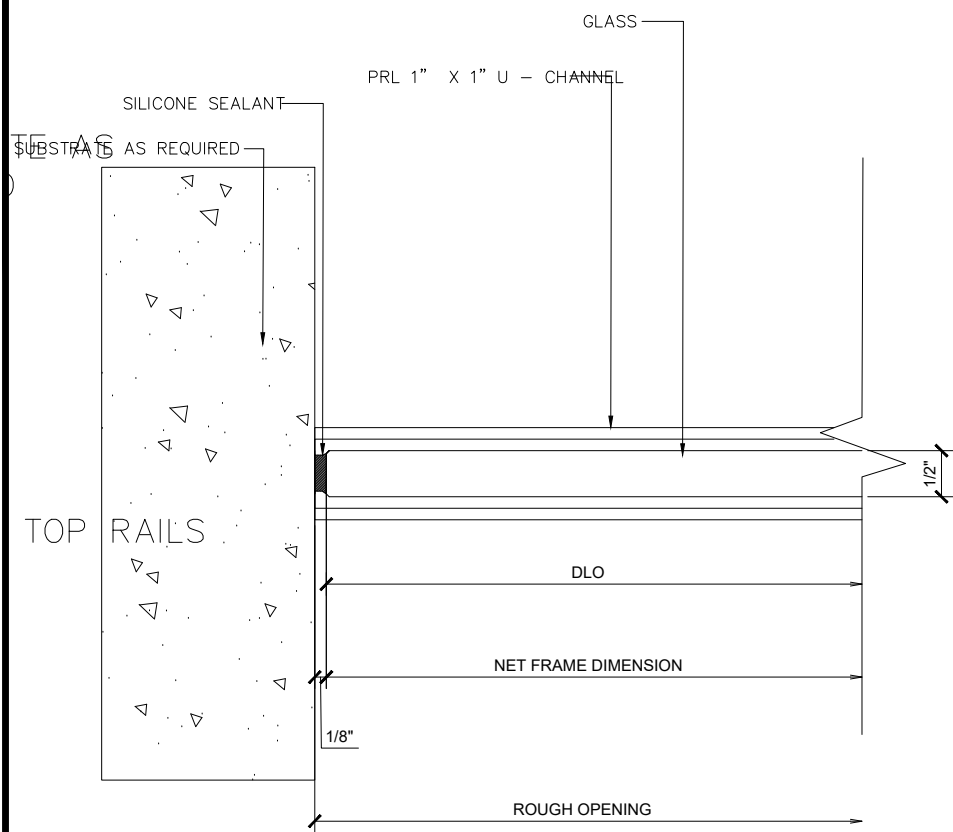
② SILL (@FRAME)

ARCH REF: SCALE: 1'-0"=1'-0"



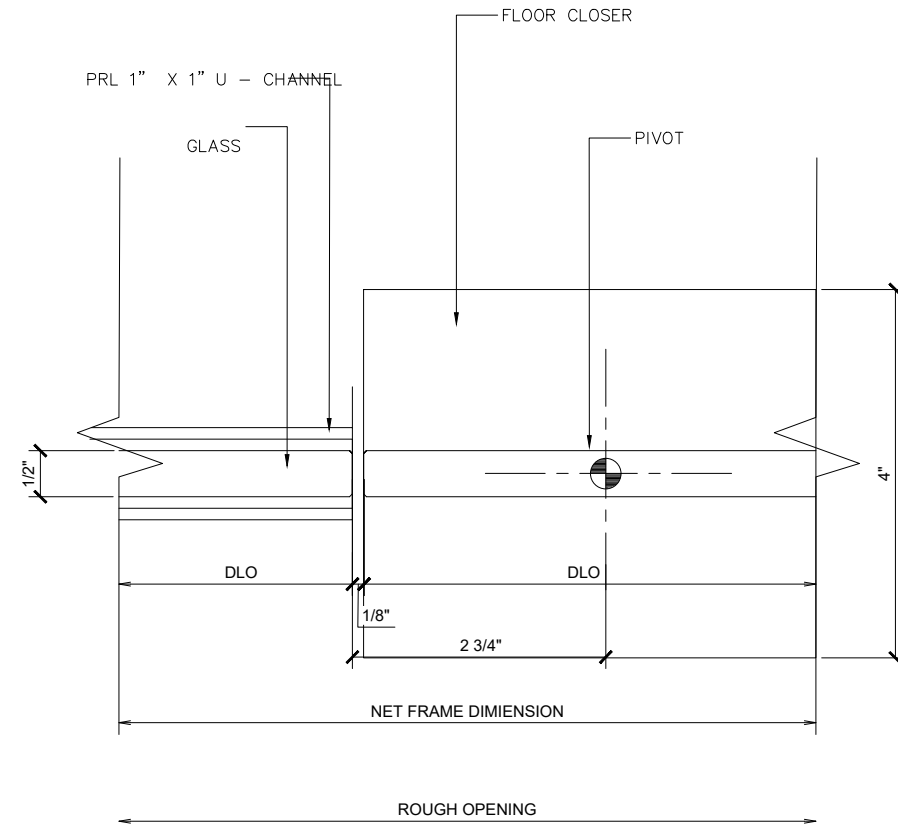
④ BOTTOM RAIL (@DOOR)

BP - STYLE DOORS (150DS) SCALE: 1'-0"=1'-0"



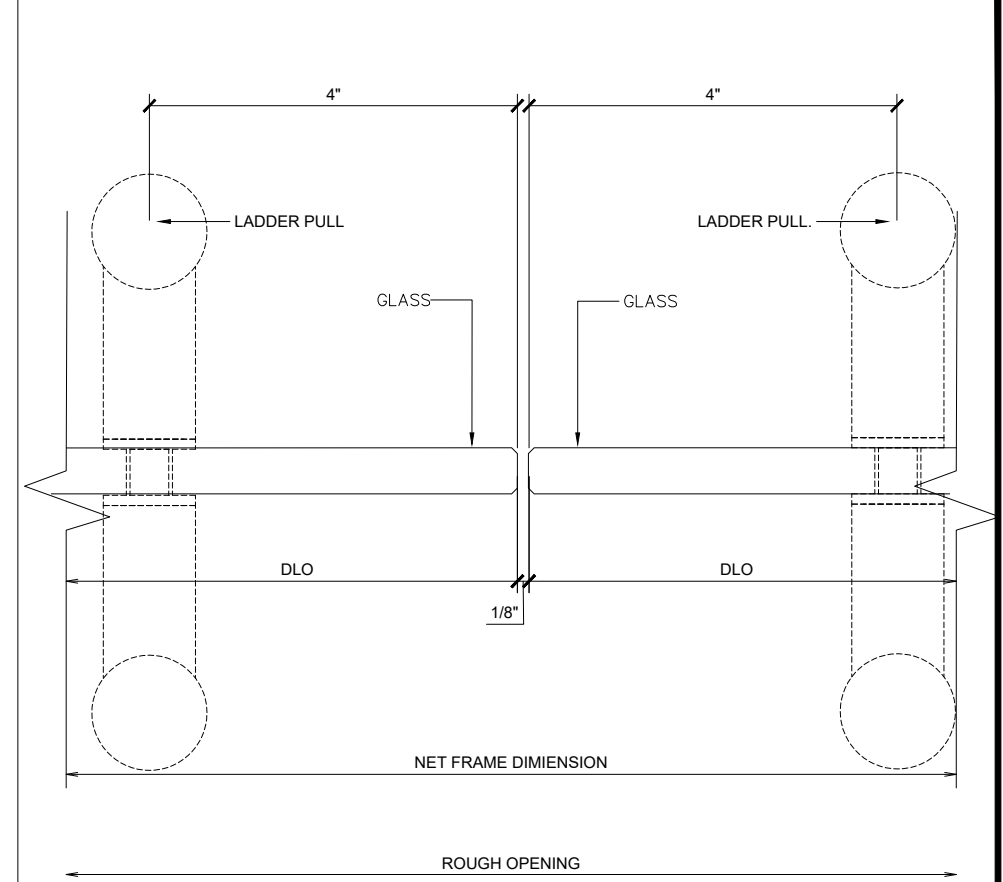
① JAMB (@FRAME)

ARCH REF: SCALE: 1'-0"=1'-0"



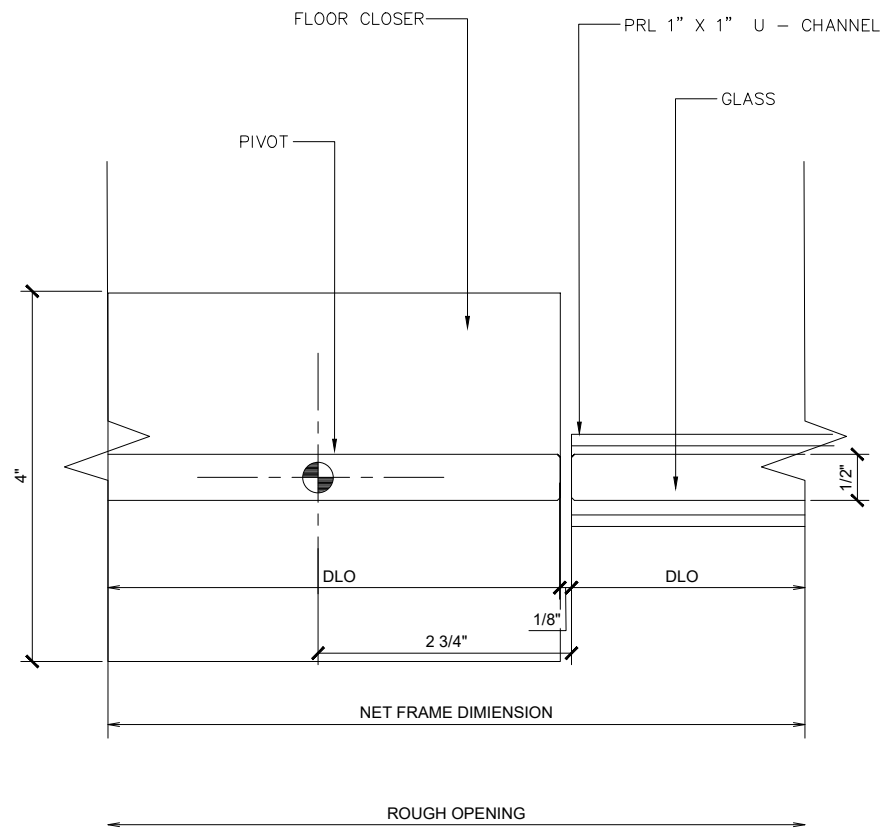
② HORIZONTAL (@FRAME & DOOR)

ARCH REF: SCALE: 1'-0"=1'-0"



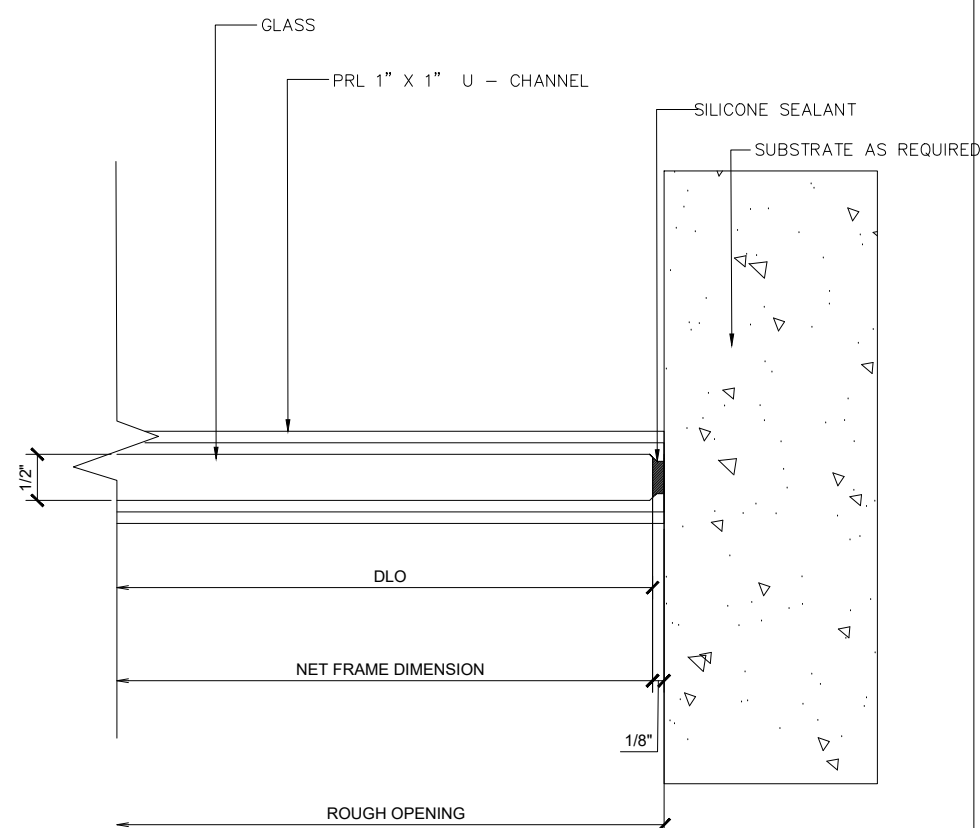
③ HORIZONTAL (@DOOR)

ARCH REF: SCALE: 1'-0"=1'-0"



④ HORIZONTAL (@FRAME & DOOR)

ARCH REF: SCALE: 1'-0"=1'-0"



⑤ HORIZONTAL (@FRAME)

ARCH REF: SCALE: 1'-0"=1'-0"