

**BELLA SERIES (SHORT BACK PLATE WITH HEAVY DUTY HINGE)**

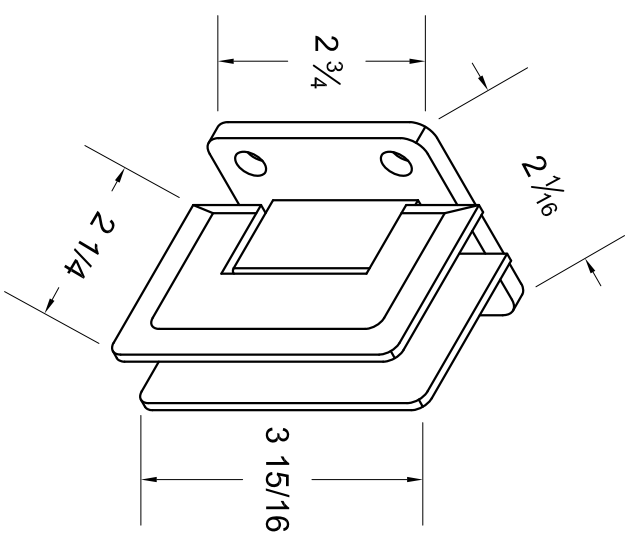
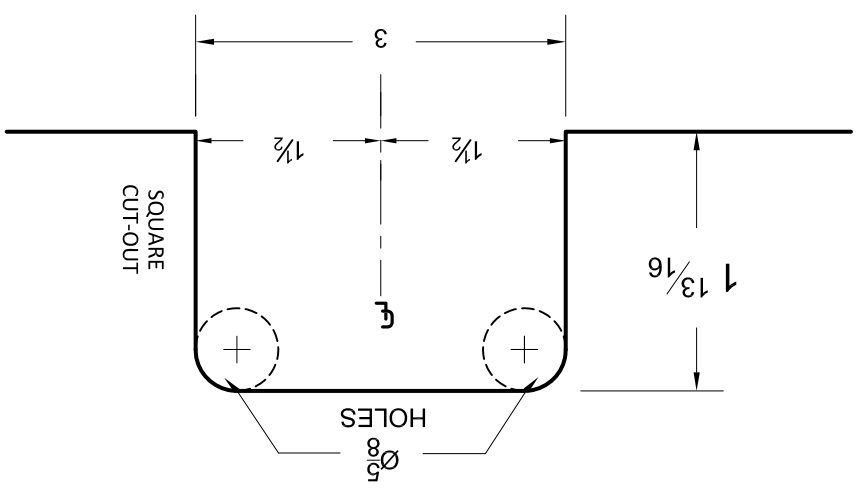
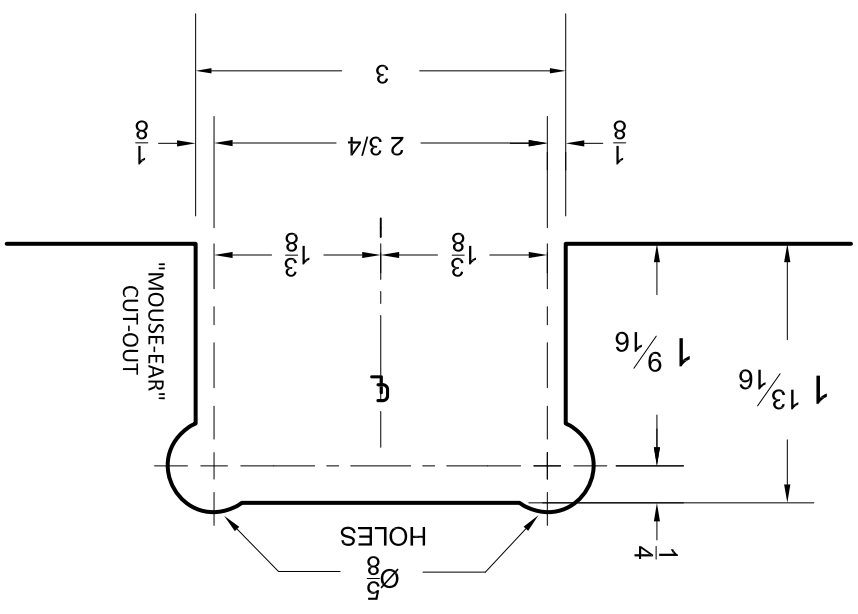
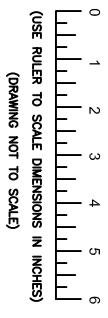
PART NO: **PL-TBHDO74**

Phone# (800) 433-7044

(1/4" gap from glass to wall )

Maximum Door Capacities	8" (10mm) Glass Weight	34" Glass Width	1" (10mm) Glass Weight	32" Glass Width
Using 2 Hinges	100 lbs	34"	100 lbs	32"
Using 3 Hinges	130 lbs	34"	130 lbs	32"

**Note:** Do not exceed the table above when choosing your hinge



**Rubber Gaskets:**

- 3/8 (10mm) Glass: place one of the thick gaskets on each side of the hinge.
- 1/2 (12mm) Glass: place one of the thin gaskets on each side of the hinge.

**Recommendations:**

- Do not use power tools when mounting hinges, and always be sure to use tempered glass.
- Never clean hinges with abrasive chemicals. This will remove the clear lacquer that protects the hinges.
- If mineral deposits develop, simply add a few drops of a mild liquid soap to warm water, clean hinges with a soft towel then rinse and dry Thoroughly.

**Specs:**

- Glass Size: 3/8 (10mm) - 1/2 (12mm) tempered
- Material: Solid Brass
- Fabrication: Cutout Required
- Parts: Rubber gaskets
- Screws & Anchors are included