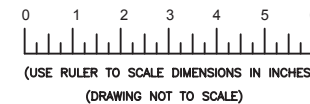
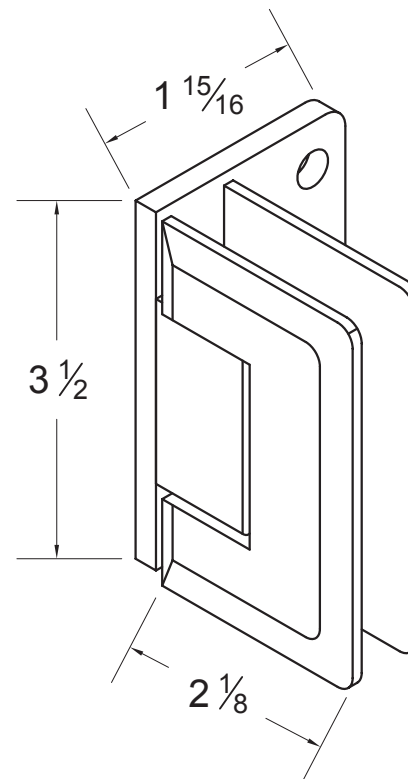
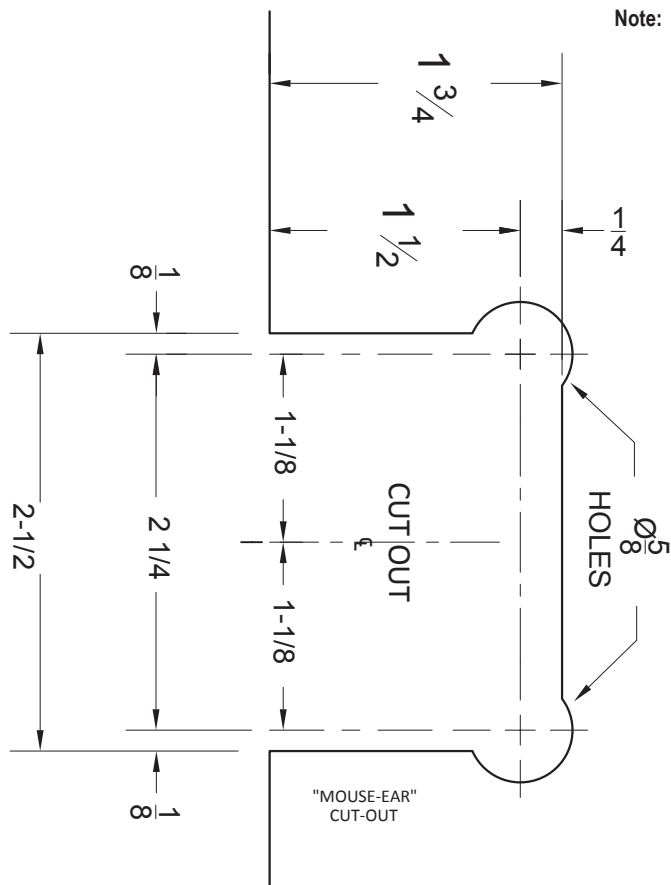


( $\frac{3}{16}$ " gap from glass to wall)

Maximum Door Capacities	$\frac{3}{8}$ " (10mm) Glass Weight	Width	$\frac{1}{2}$ " (12mm) Glass Weight	Width
Using 2 Hinges	80 lbs	28"	80 lbs	28"
Using 3 Hinges	120 lbs	32"	120 lbs	32"



Note: Do not exceed the table above when choosing your hinge



**Rubber Gaskets:**

$\frac{3}{8}$ " (10mm) Glass: place one of the thick gaskets on each side of the hinge.

$\frac{1}{2}$ " (12mm) Glass: place one of the thin gaskets on each side of the hinge.

**Recommendations:**

- Do not use power tools when mounting hinges, and always be sure to use tempered glass.
- Never clean hinges with abrasive chemicals. This will remove the clear lacquer that protects the hinges.
- If mineral deposits develop, simply add a few drops of a mild liquid soap to warm water, clean hinges with a soft towel then rinse and dry Thoroughly.

**Specs:**

Glass Size:  $\frac{3}{8}$ " (10mm) -  $\frac{1}{2}$ " (12mm) tempered

Material: Solid Brass

Fabrication: Cutout Required

Parts: Rubber gaskets

Screws & Anchors are included