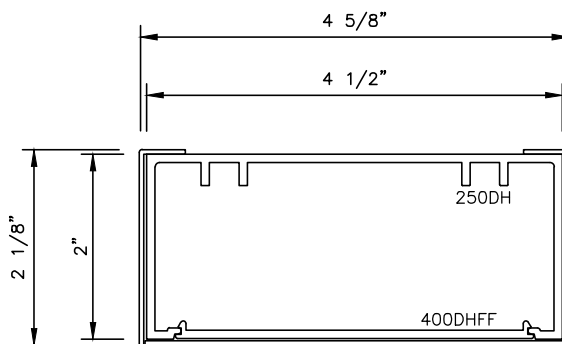
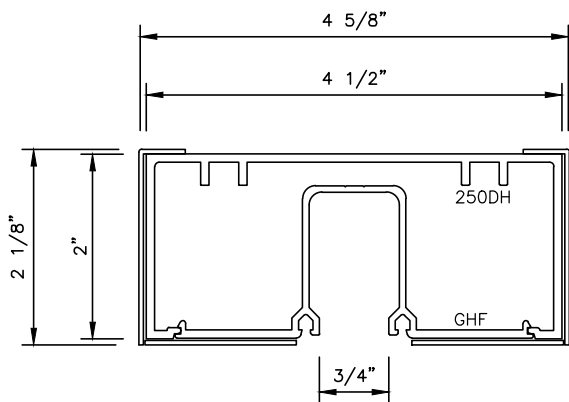
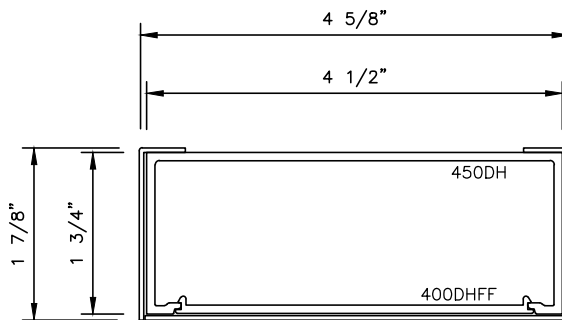
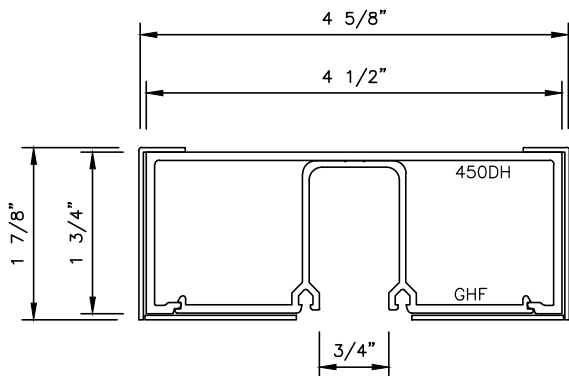
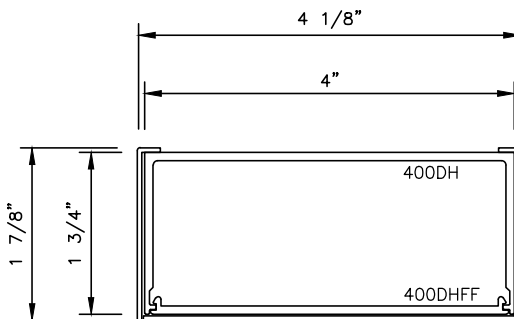
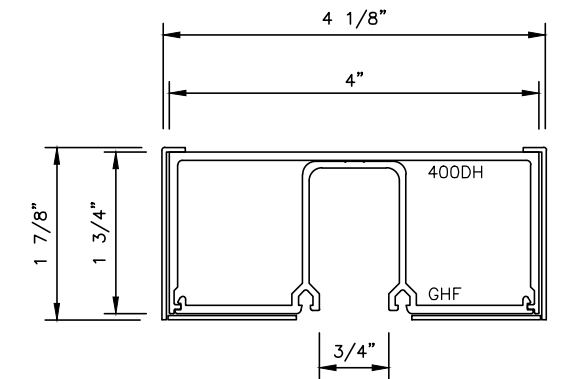


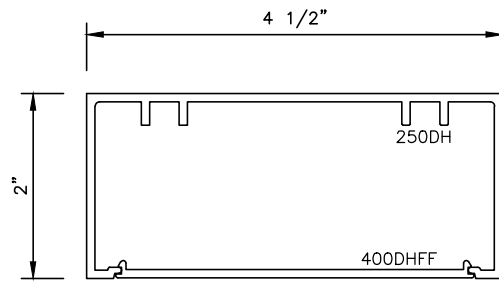
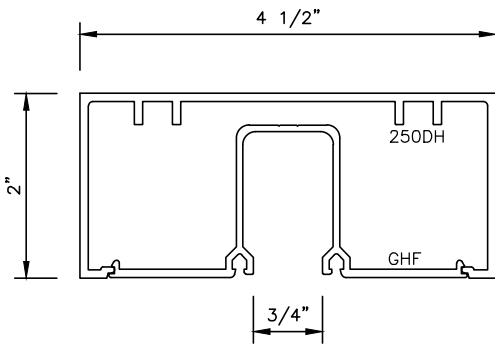
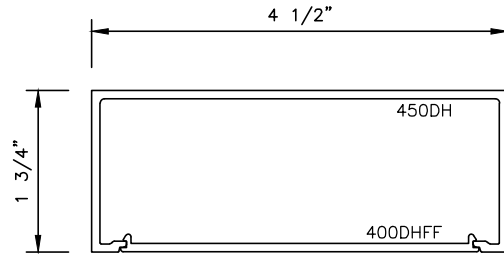
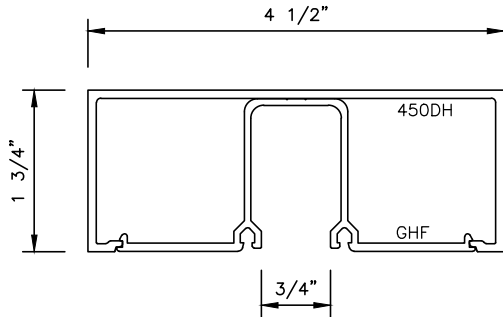
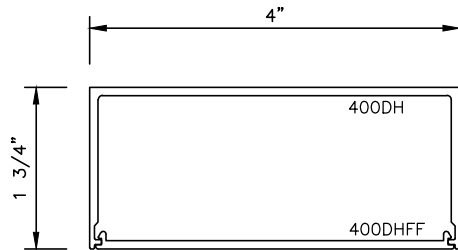
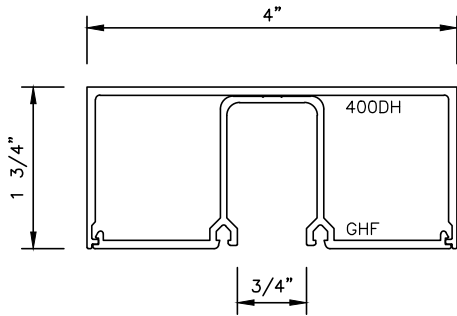
ALUMINUM HEADER  
(CLAD)  
WITH POCKET SNAP-IN

ALUMINUM HEADER  
(CLAD)  
WITH DOOR HEADER SNAP-IN



ALUMINUM HEADER  
WITH POCKET SNAP-IN

ALUMINUM HEADER  
WITH DOOR HEADER SNAP-IN



**PRL**

GLASS  
SYSTEMS  
INC.  
Prlglass.com



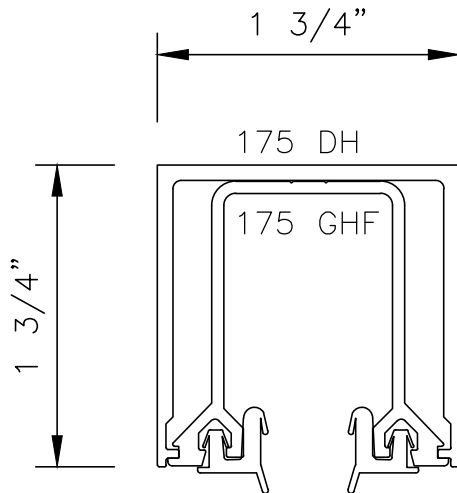
# HEADERS

DWG NO.: door – sidelite header

DATE: 11-14-13

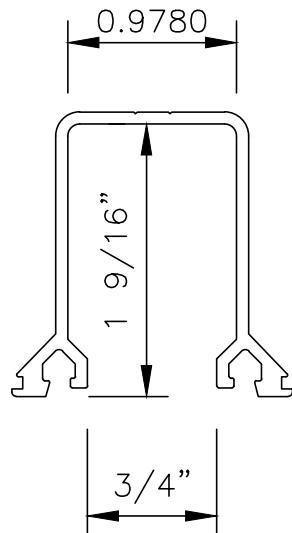
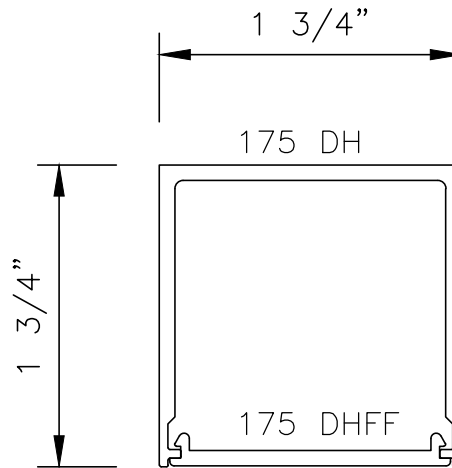
1-3/4 X 1-3/4  
ALUMINUM HEADER

WITH GLASS HEADER FILLER

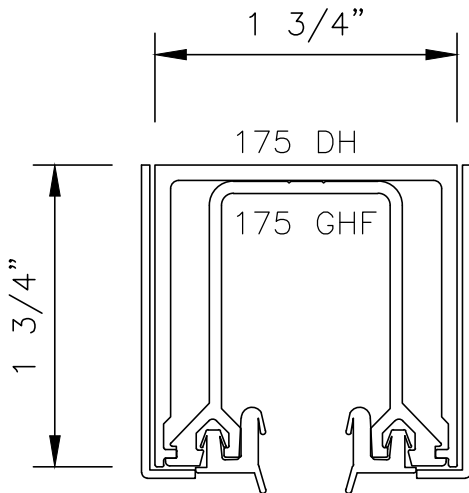


1-3/4 X 1-3/4  
ALUMINUM HEADER

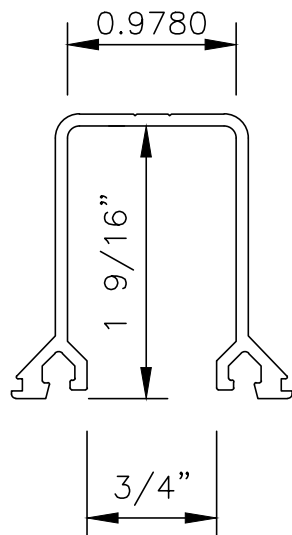
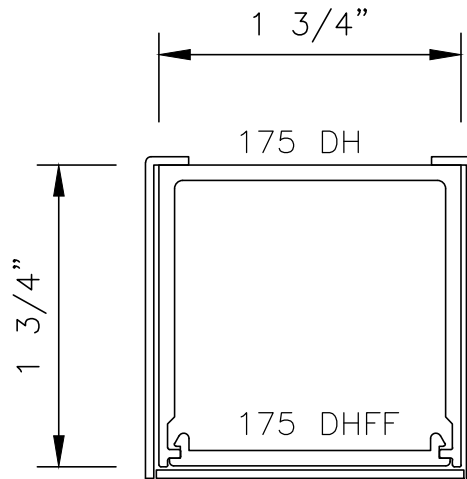
WITH DOOR HEADER FLAT FILLER



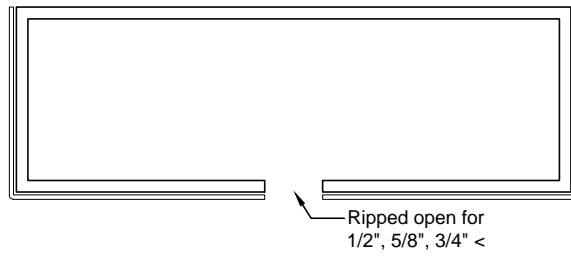
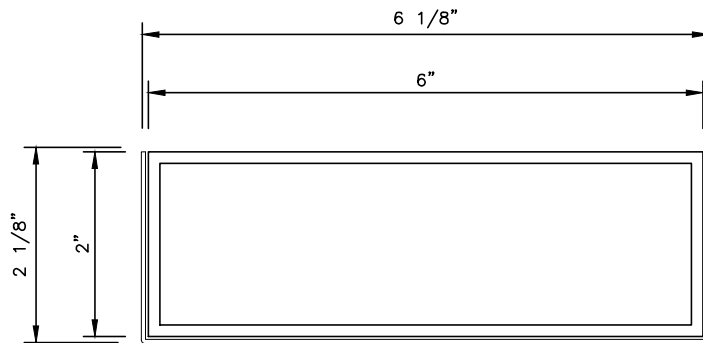
1-3/4 X 1-3/4  
ALUMINUM HEADER  
(CLAD)  
WITH GLASS HEADER FILLER



1-3/4 X 1-3/4  
ALUMINUM HEADER  
(CLAD)  
WITH DOOR HEADER FLAT FILLER

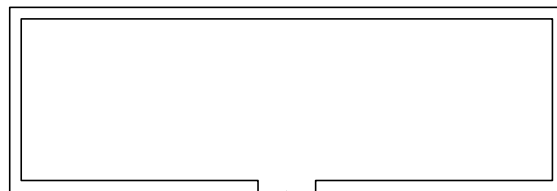
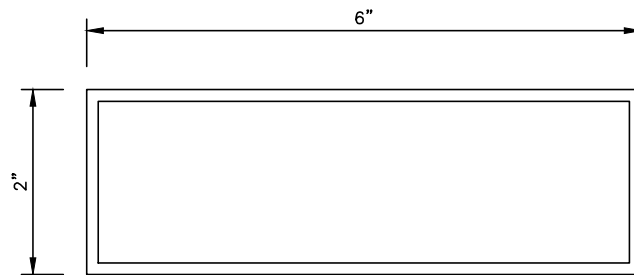


ALUMINUM HEADER  
(CLAD)  
WITH DOOR HEADER SNAP-IN





ALUMINUM HEADER  
WITH DOOR HEADER SNAP-IN



Ripped open for  
1/2", 5/8", 3/4" <

ALUMINUM HEADER  
(CLAD)  
WITH DOOR HEADER SNAP-IN

