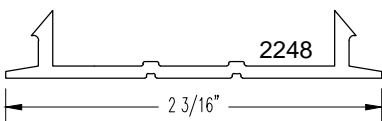
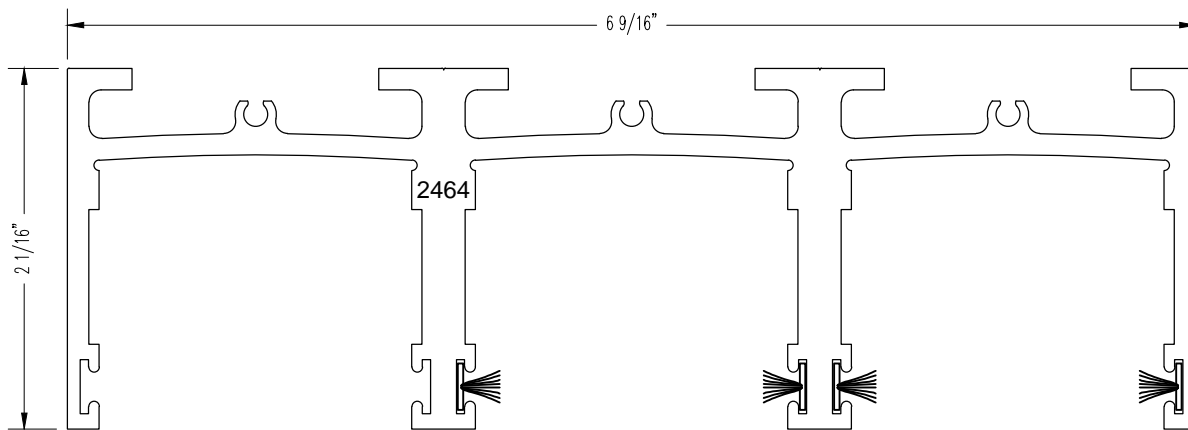
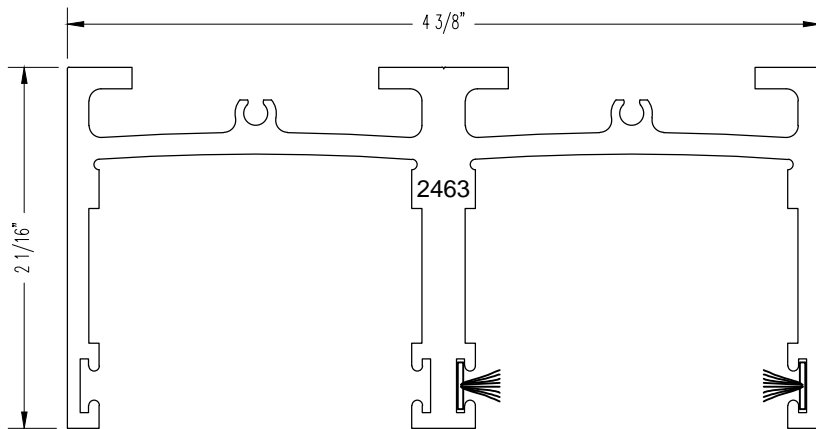
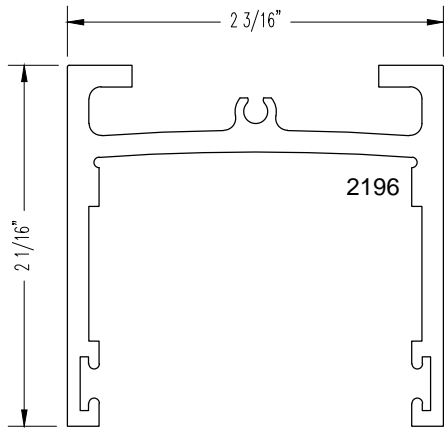
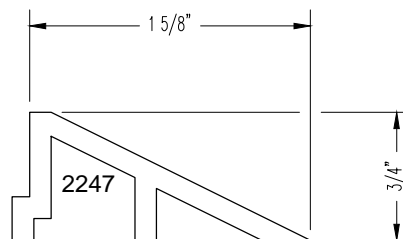
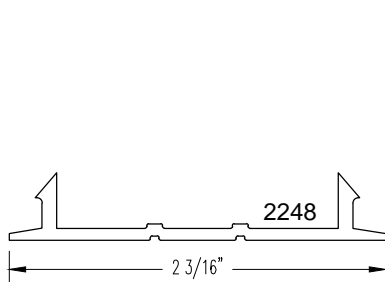
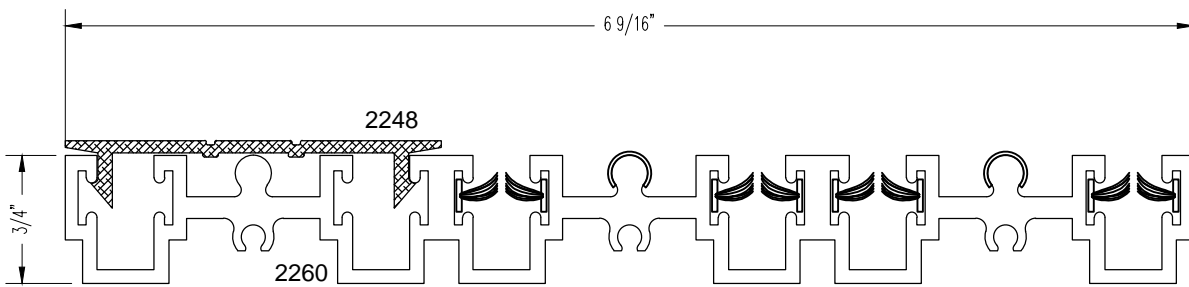
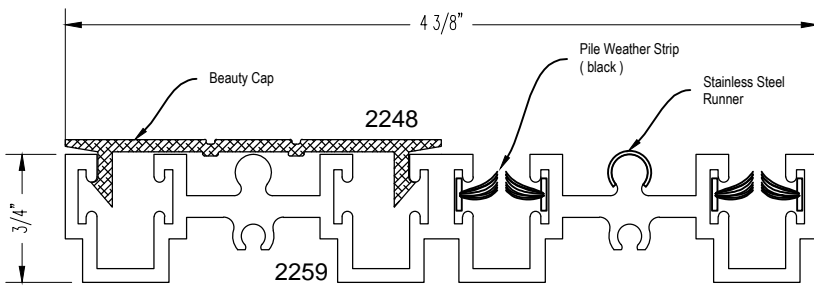
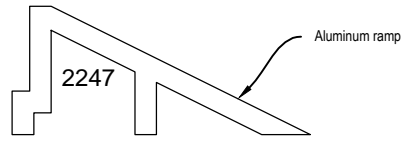
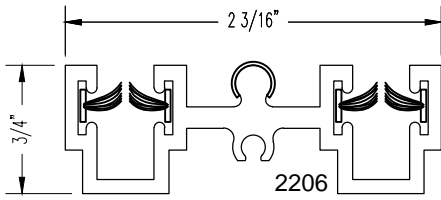


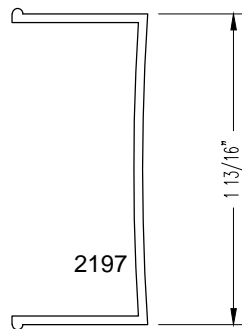
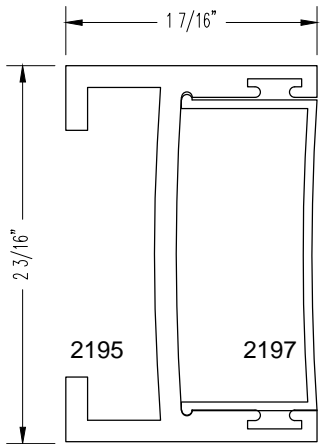
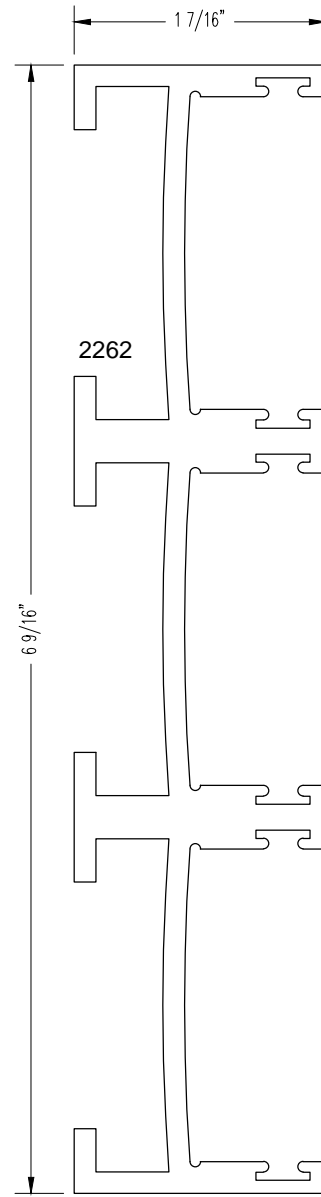
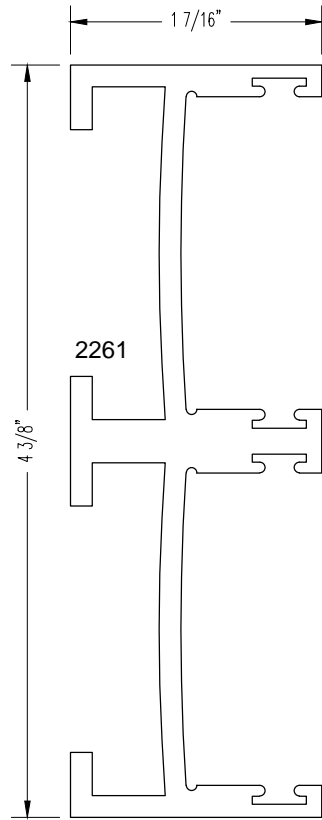
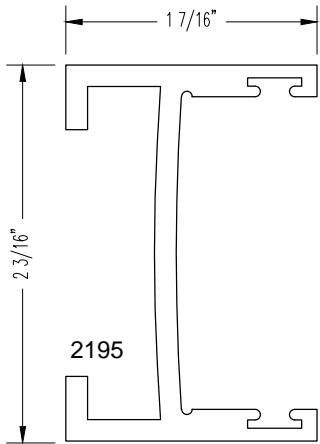
# HEAD TRACKS



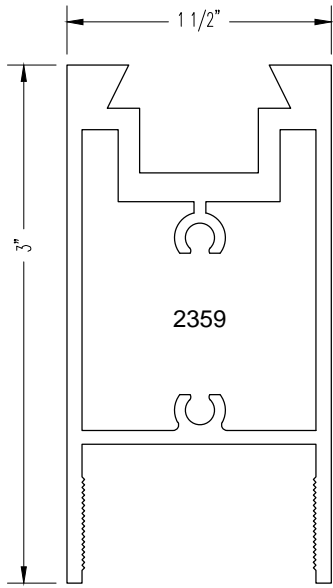
# SILL TRACKS



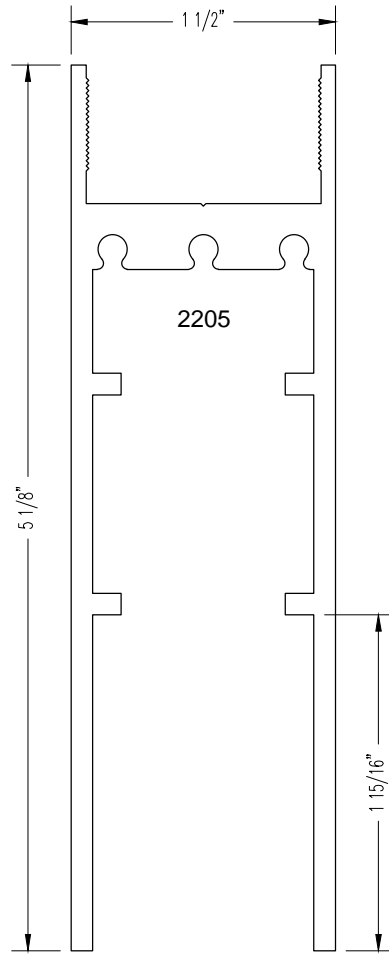
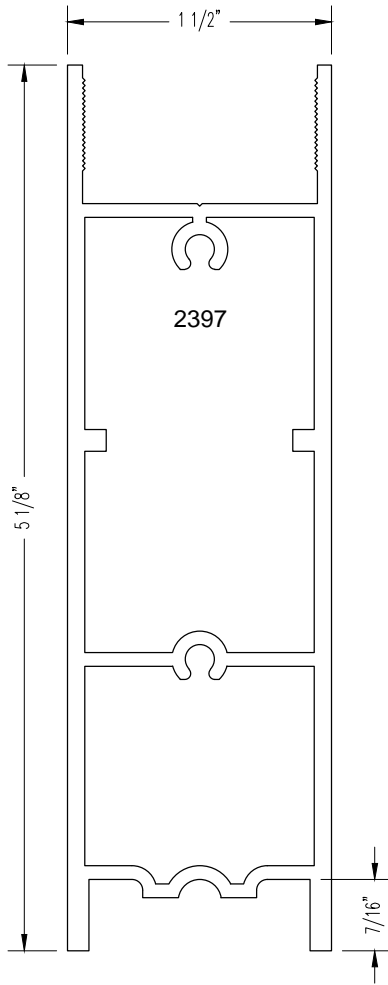
# JAMBS



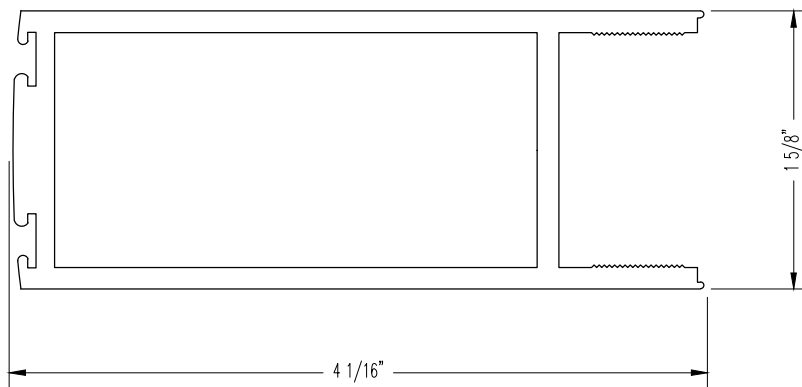
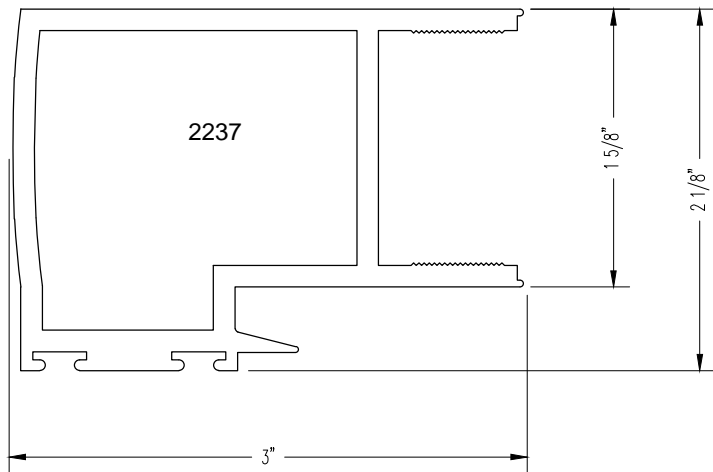
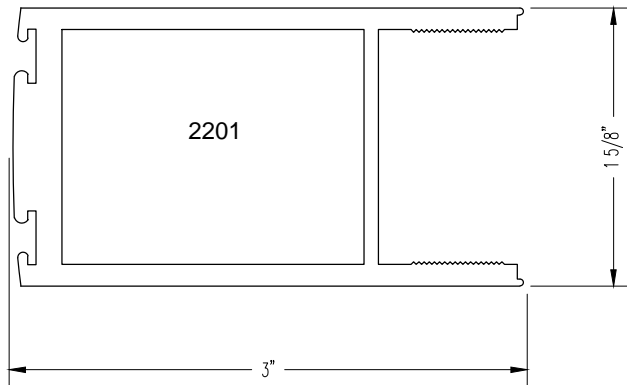
# TOP RAILS



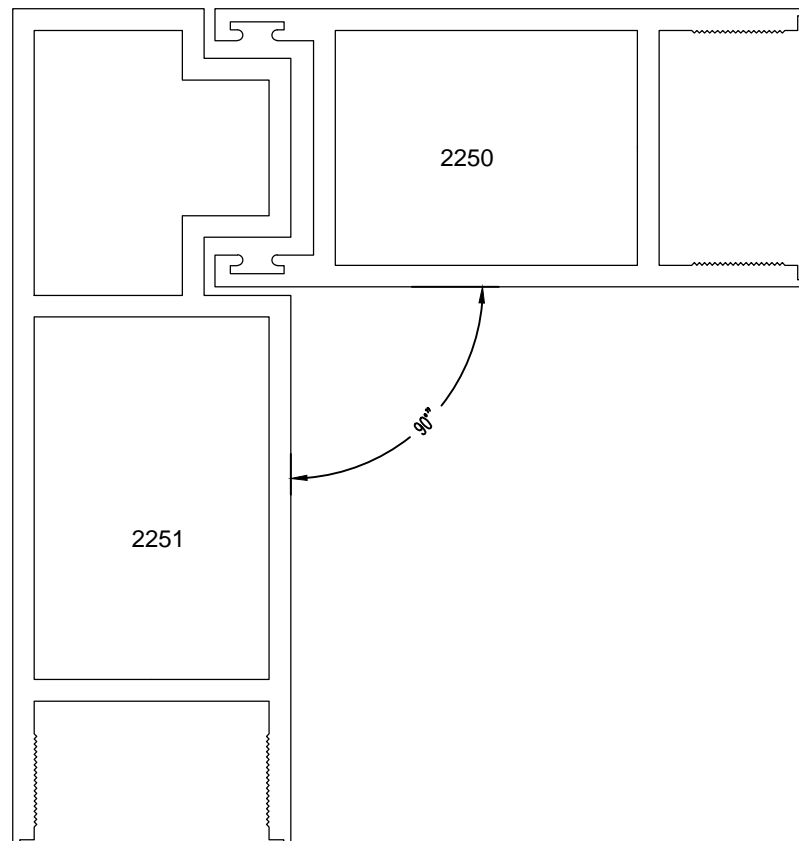
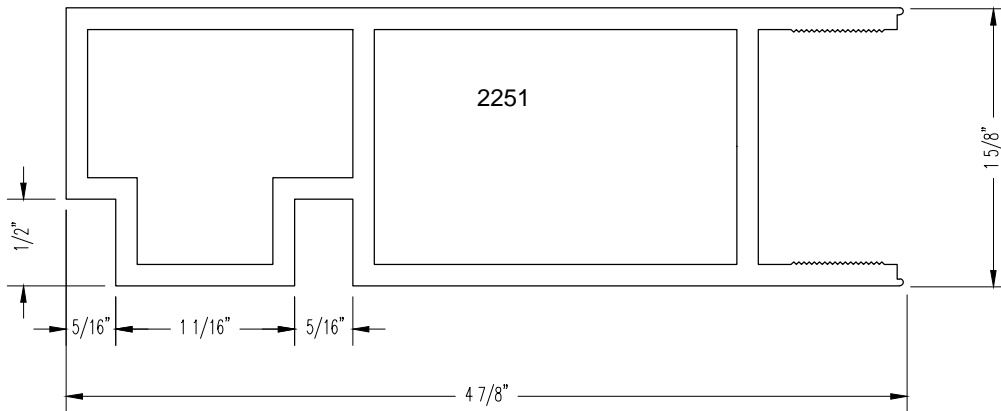
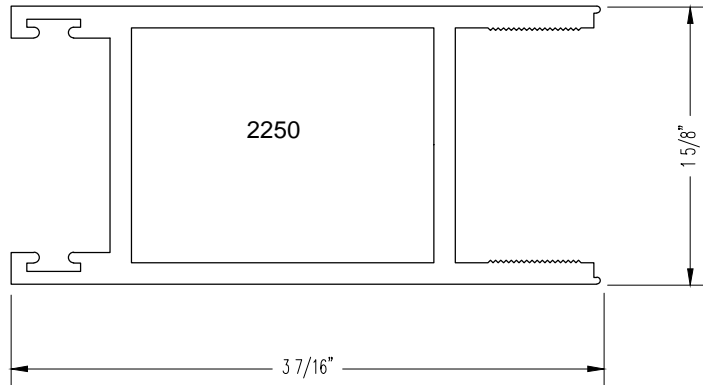
# BOTTOM RAILS



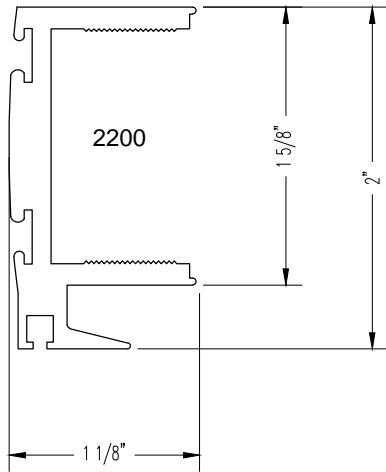
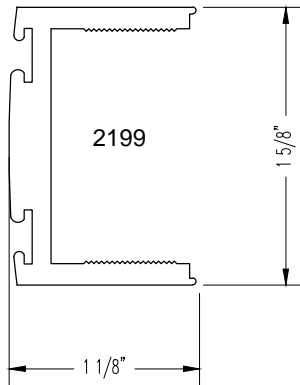
# DOOR STILES



# 90 DEGREE DOOR STILES

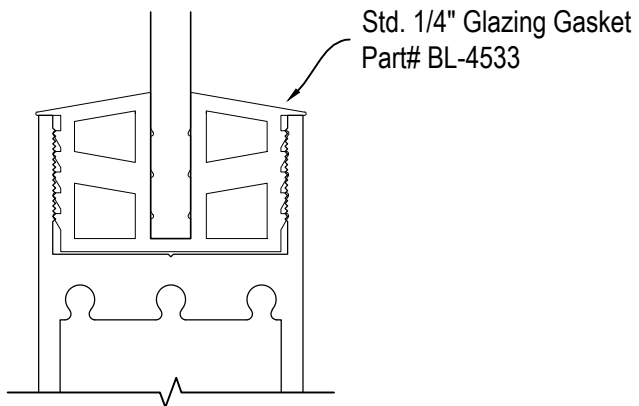
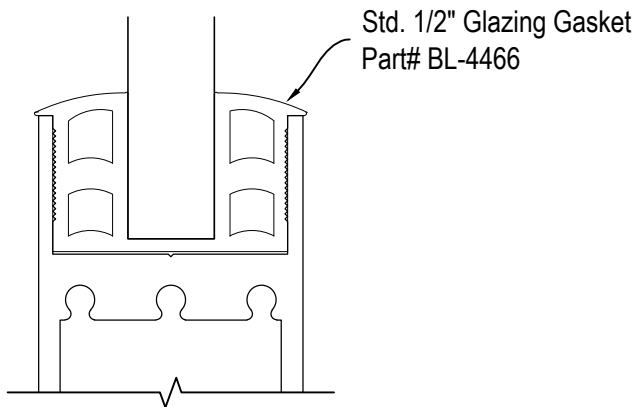
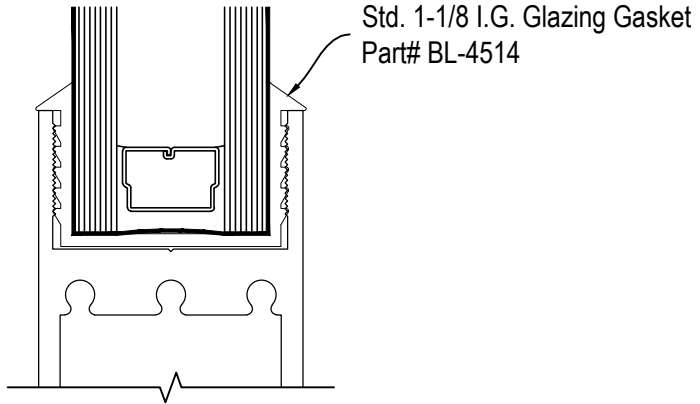


# NARROW DOOR STILES

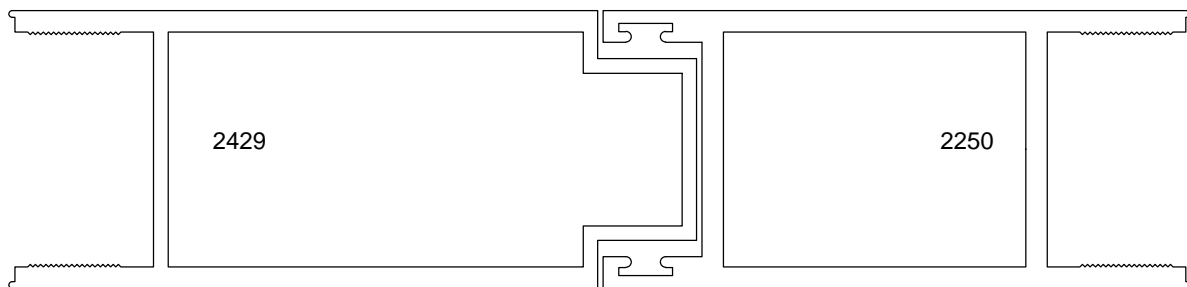
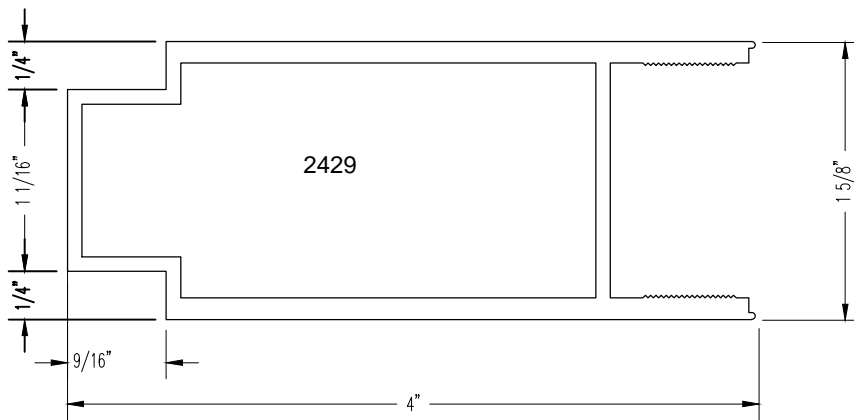
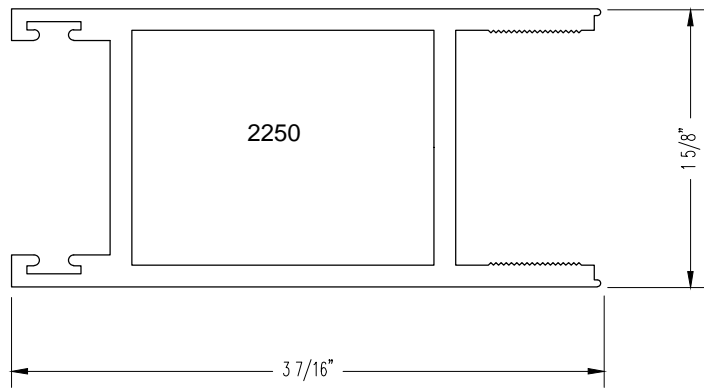




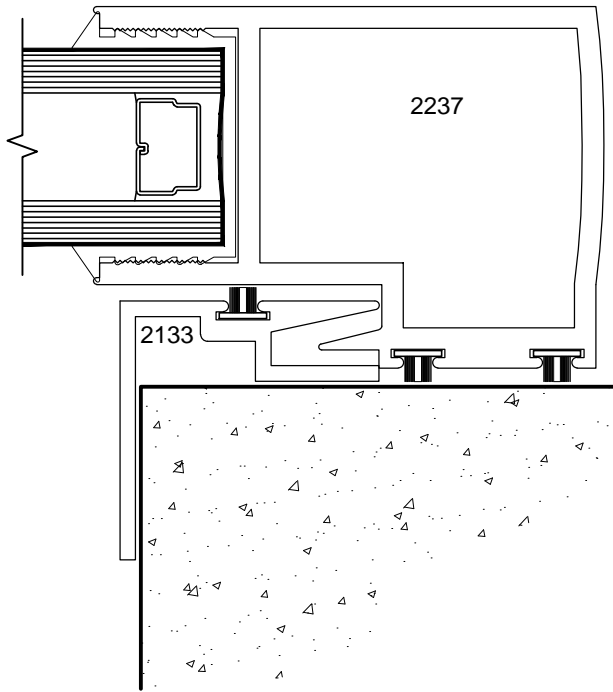
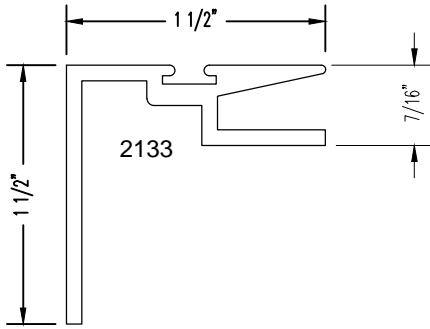
# STD. GLAZING



# IN-LINE / BIPART DOOR STILES



# INTERLOCKS



# HEAD TRACKS - Top Hung Only

