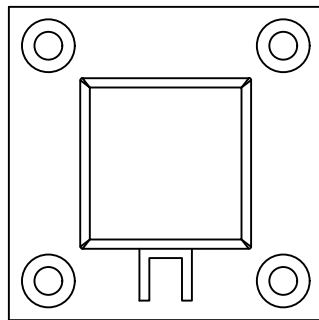


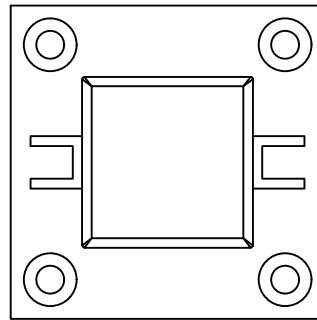


- STANDARD ALUMINUM FLEX POST FOR VARIOUS GLASS SHIELD APPLICATION
- WALL & GLASS MOUNT BRACKETS
- SIZES: 12", 18", 24", 30" & CUSTOM HEIGHT
- 1/4" AND 3/8"
- TEMPERED & LAMINATED GLASS
- CLEAR AND BRONZE ANODIZED FINISHES

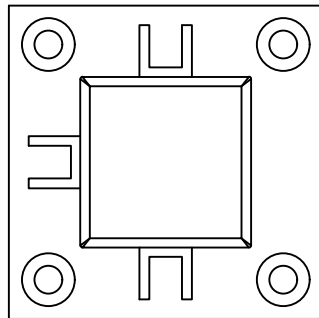
END POST



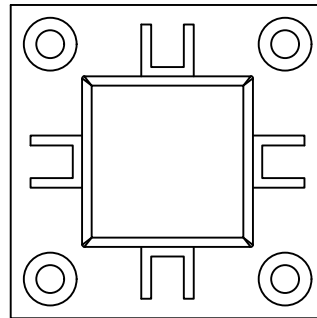
CENTER POST



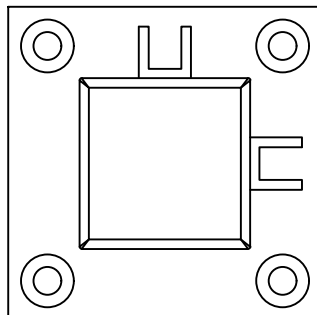
3-WAY POST



4-WAY POST



CORNER LEFT POST



CORNER RIGHT POST

