

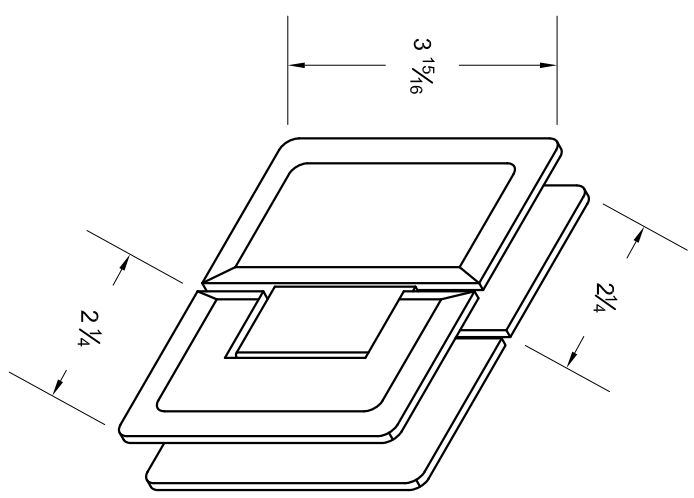
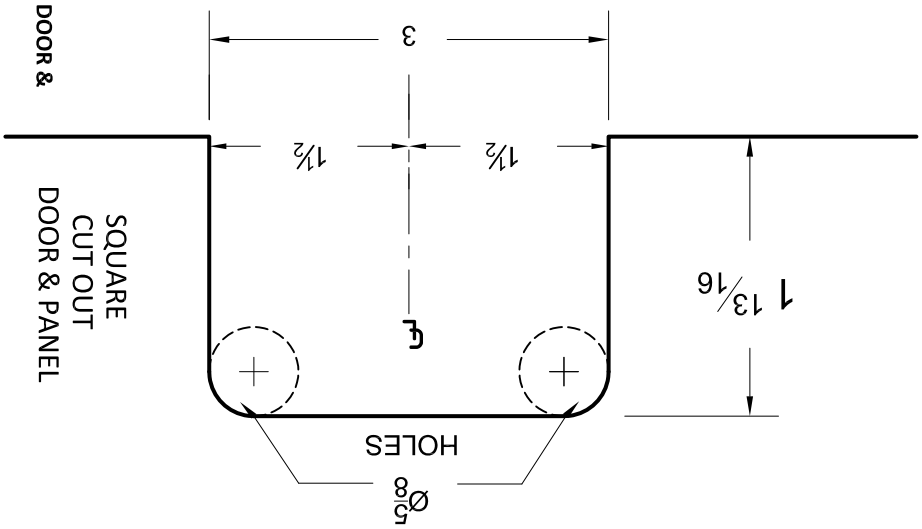
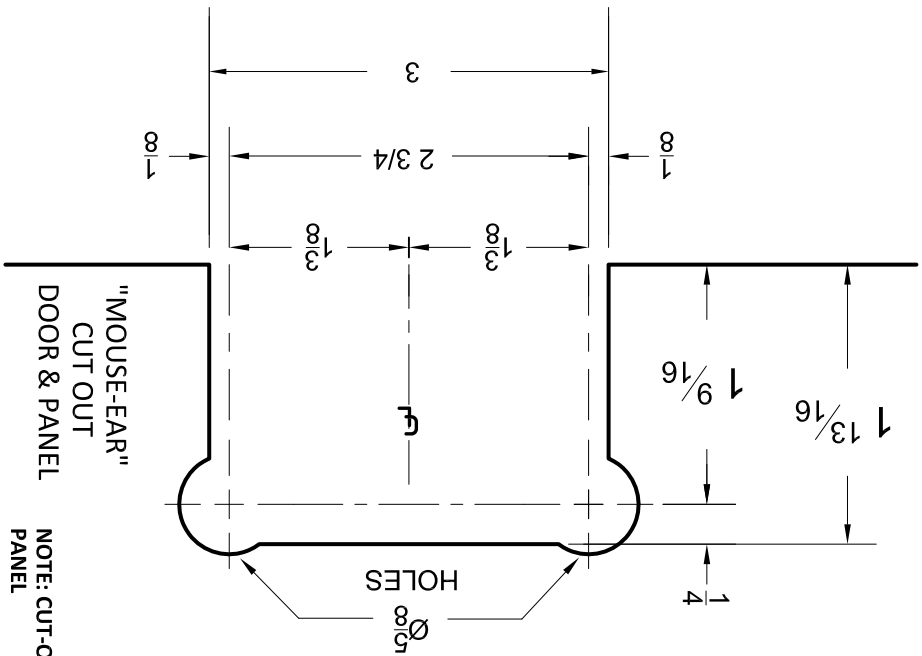
**BELLA SERIES ( 180 G/G HEAVY DUTY HINGE )**

PART NO: **PL-TBH180**  
 Phone# (800) 433-7044

( 3/16 " gap from glass to glass )

Maximum Door Capacities	8" (10mm) Glass Weight	110 lbs	140 lbs	36" Glass Width	2" (12mm) Glass Weight	110 lbs	140 lbs	36" Glass Width
Using 2 Hinges	110 lbs	140 lbs	36"	36"	110 lbs	140 lbs	36"	36"
Using 3 Hinges	140 lbs	140 lbs	36"	36"	140 lbs	140 lbs	36"	36"

**Note:** Do not exceed the table above when choosing your hinge



**Rubber Gaskets:**

- 3/8 (10mm) Glass: place one of the thick gaskets on each side of the hinge.
- 1/2 (12mm) Glass: place one of the thin gaskets on each side of the hinge.

**Recommendations:**

- Do not use power tools when mounting hinges, and always be sure to use tempered glass.
- Never clean hinges with abrasive chemicals. This will remove the clear lacquer that protects the hinges.
- If mineral deposits develop, simply add a few drops of a mild liquid soap to warm water, clean hinges with a soft towel then rinse and dry Thoroughly.

**Specs:**

- Glass Size: 3/8 (10mm) - 1/2 (12mm) tempered
- Material: Solid Brass
- Fabrication: Cutout Required
- Parts: Rubber gaskets