

SIDNEY SERIES (180 G/G HEAVY DUTY HINGE)

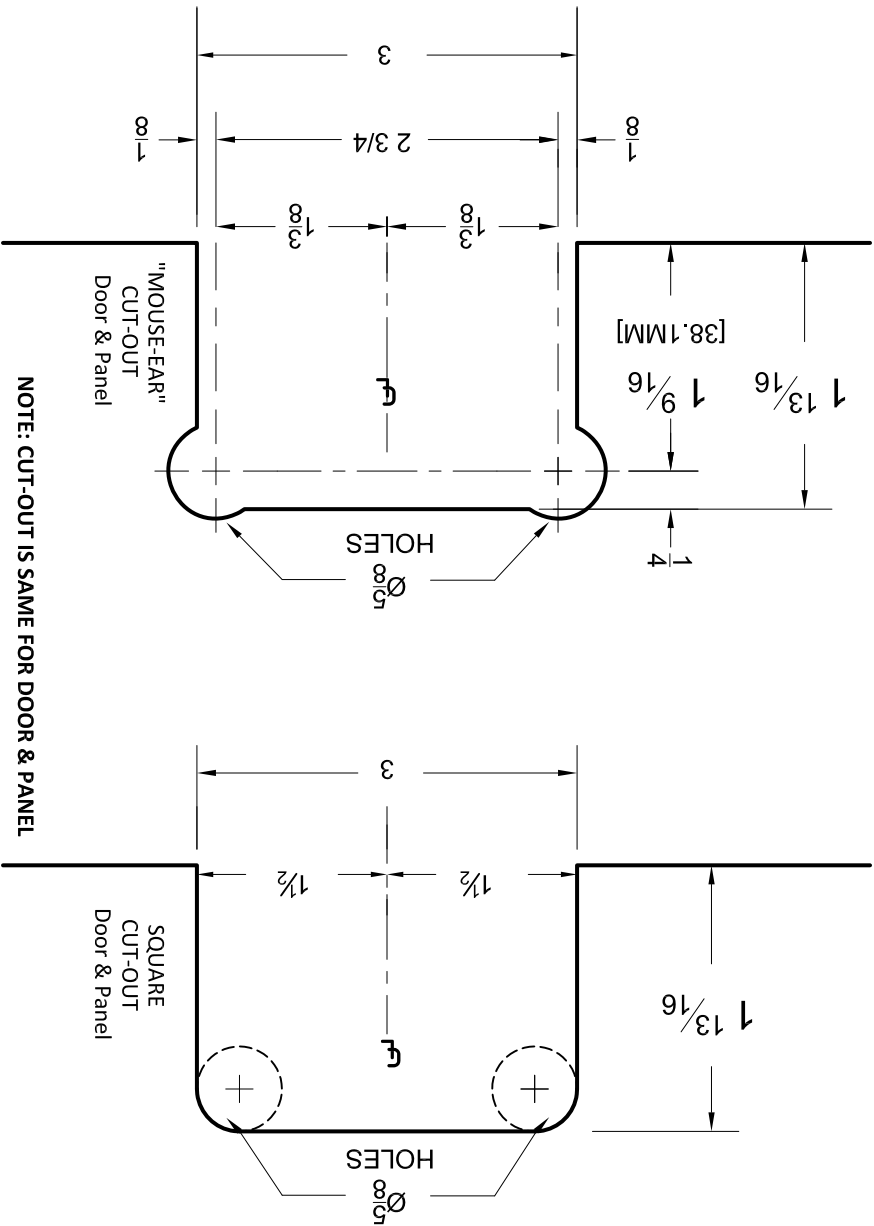
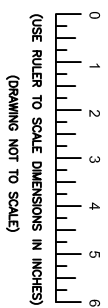
PART NO: **PL-TSHD180**

Phone# (800) 433-7044

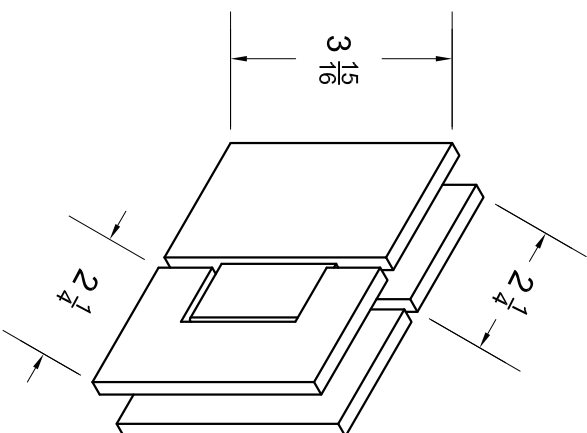
(3/16 gap from glass to glass)

Maximum Door Capacities	8" (10mm) Glass Weight	110 lbs	140 lbs	36"	36"	1/2" (12mm) Glass Weight	110 lbs	140 lbs	36"	36"
Using 2 Hinges	110 lbs	140 lbs	36"	36"	36"	110 lbs	140 lbs	36"	36"	36"
Using 3 Hinges	140 lbs	36"	36"	36"	36"	140 lbs	36"	36"	36"	36"

Note: Do not exceed the table above when choosing your hinges



NOTE: CUT-OUT IS SAME FOR DOOR & PANEL



Rubber Gaskets:

- 3/8 (10mm) Glass: place one of the thick gaskets on each side of the hinge.
- 1/2 (12mm) Glass: place one of the thin gaskets on each side of the hinge.

Recommendations:

- Do not use power tools when mounting hinges, and always be sure to use tempered glass.
- Never clean hinges with abrasive chemicals. This will remove the clear lacquer that protects the hinges.
- If mineral deposits develop, simply add a few drops of a mild liquid soap to warm water, clean hinges with a soft towel then rinse and dry Thoroughly.

Specs:

- Glass Size: 3/8 (10mm) - 1/2 (12mm) tempered
- Material: Solid Brass
- Fabrication: Cutout Required
- Parts: Rubber gaskets