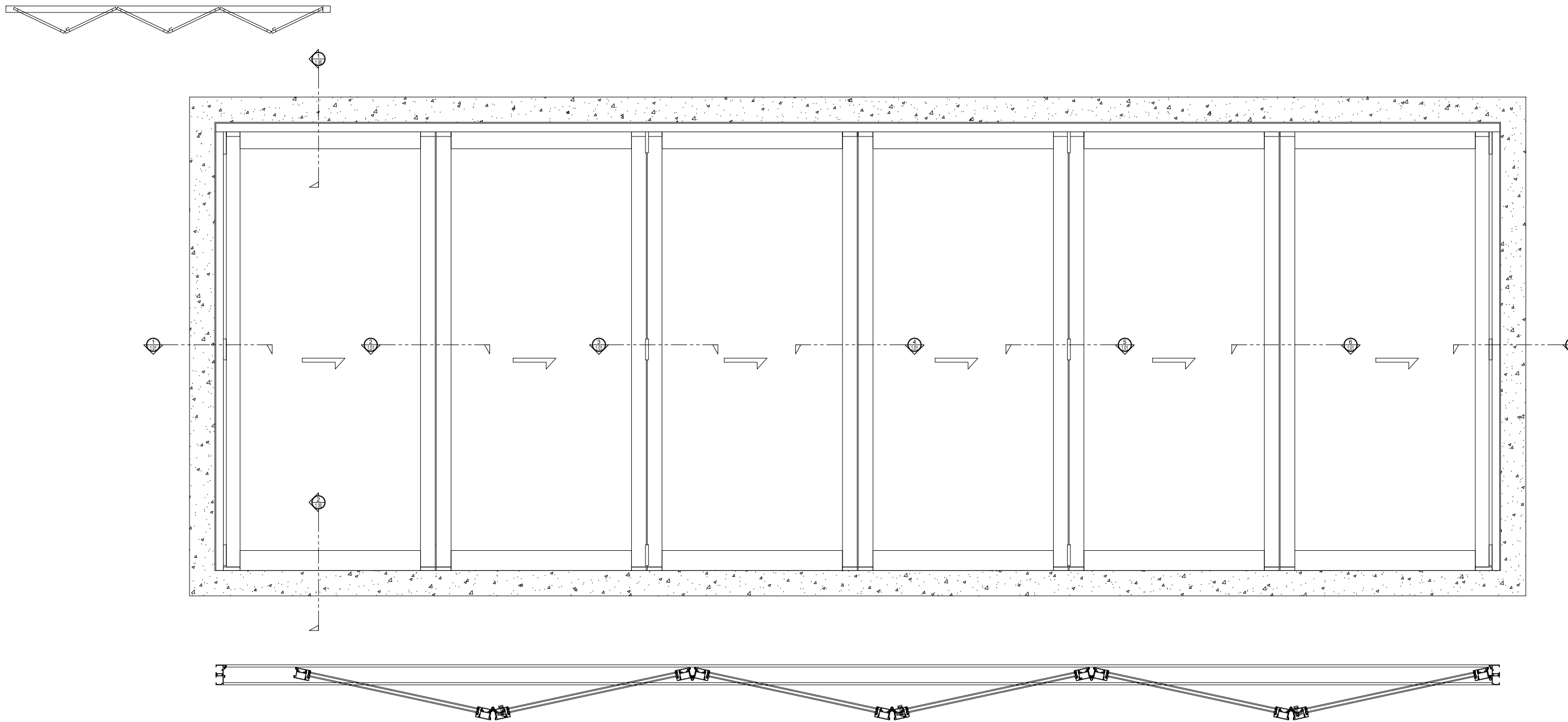


BI - FOLD

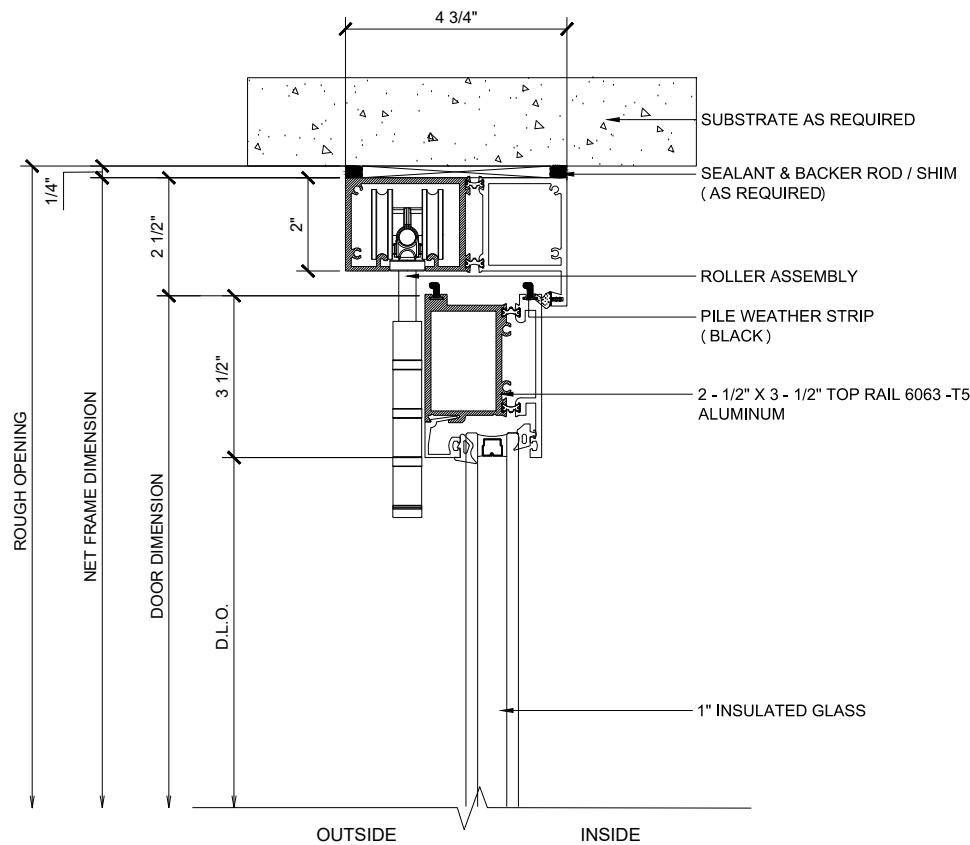
HIGH SILL

DOOR SYSTEM IN A SINGLE DIRECTION (RIGHT)
6R PANELS - STACKING OUT
X - DOORS



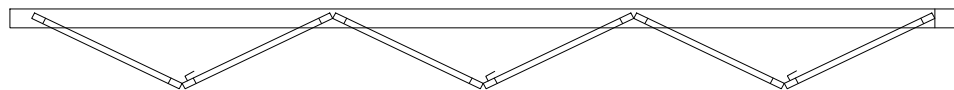
BI - FOLD HIGH SILL

DOOR SYSTEM IN A SINGLE DIRECTION (RIGHT)
 6R PANELS - STACKING OUT
 X - DOORS



① HEAD (@DOOR)

BI-FOLD DOOR SYSTEM (XXXXXX) SCALE: 6"=1'-0"



Ⓐ CONFIGURATION

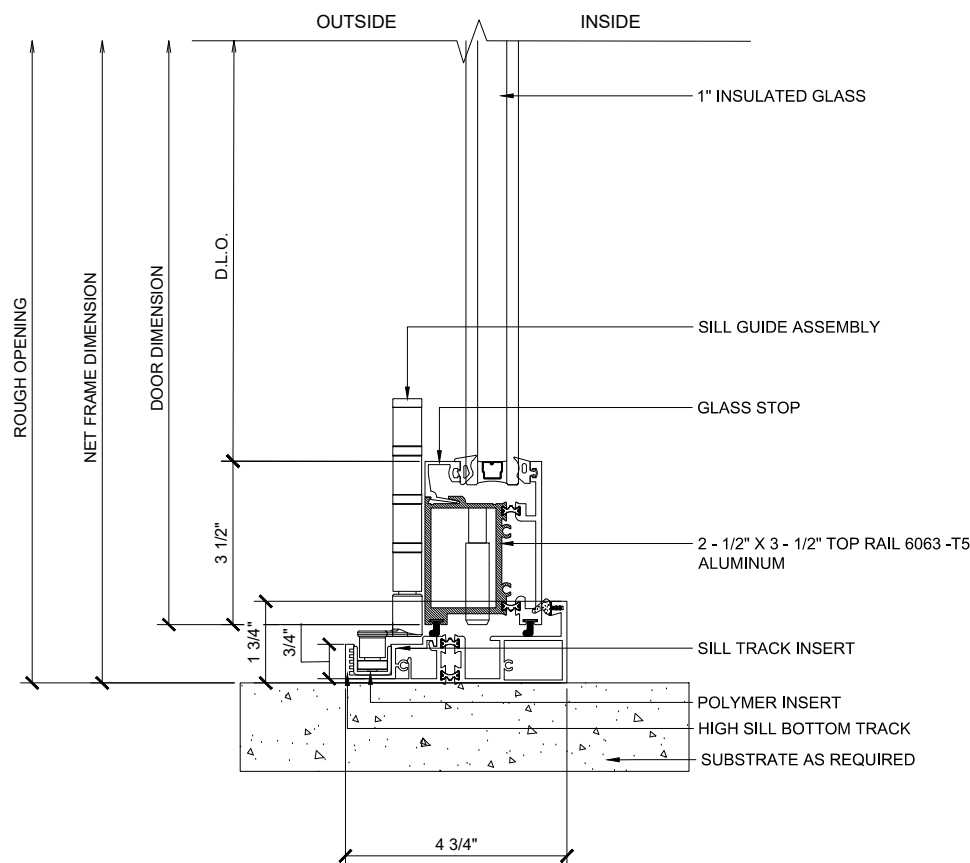
BI-FOLD DOOR SYSTEM (XXXXXX) SCALE: 6"=1'-0"

Finishes:

- Clear and Bronze anodized finishes Class 1
- Standard Mill Finish available for custom colors
- Kynar

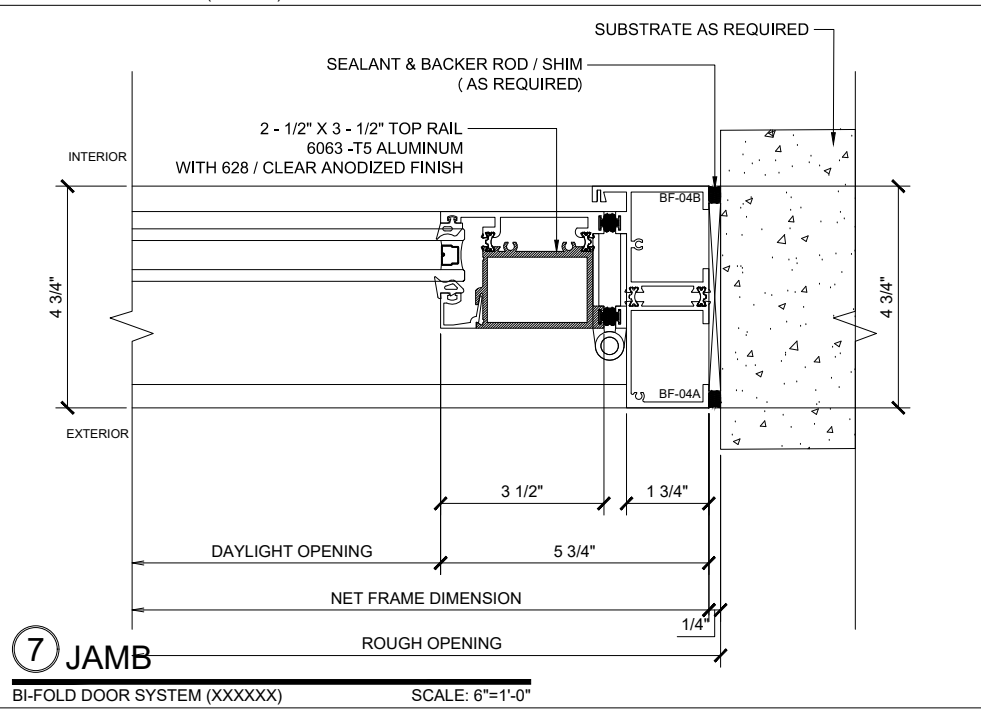
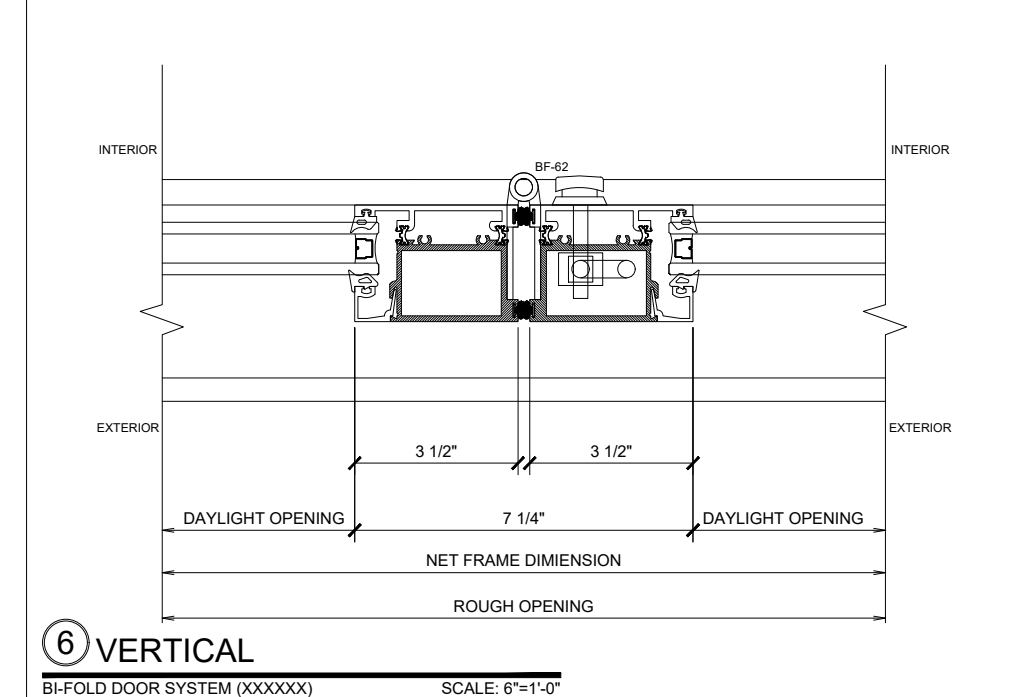
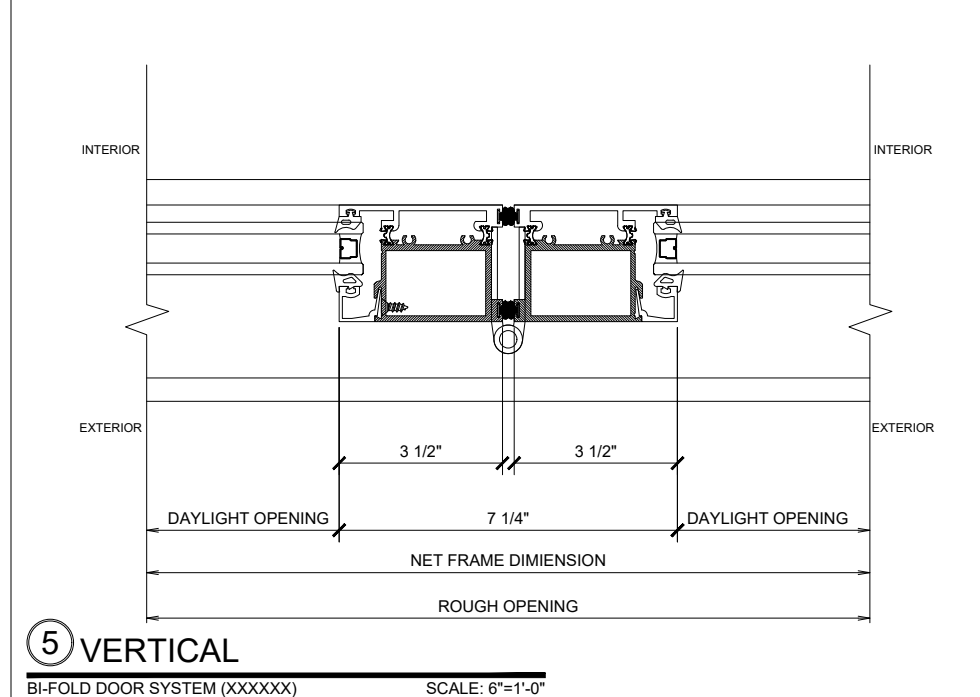
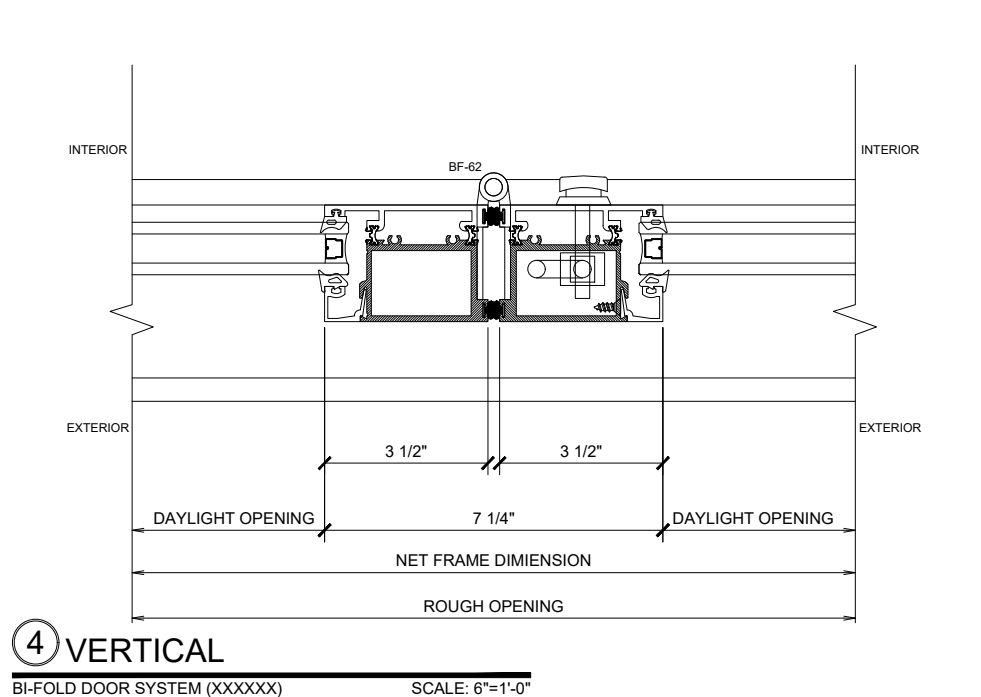
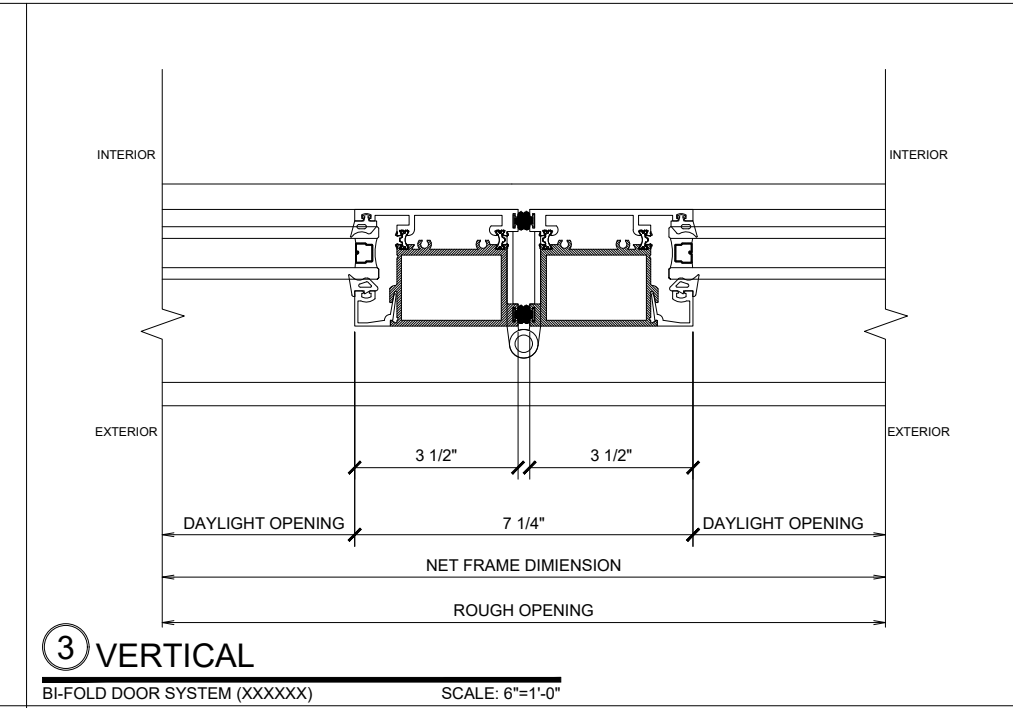
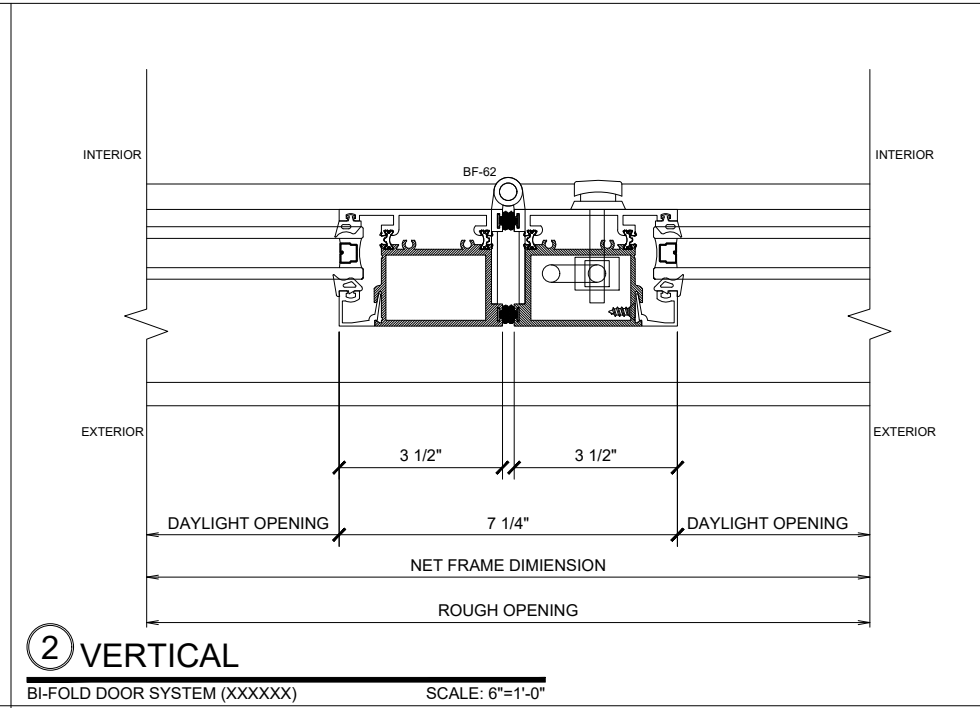
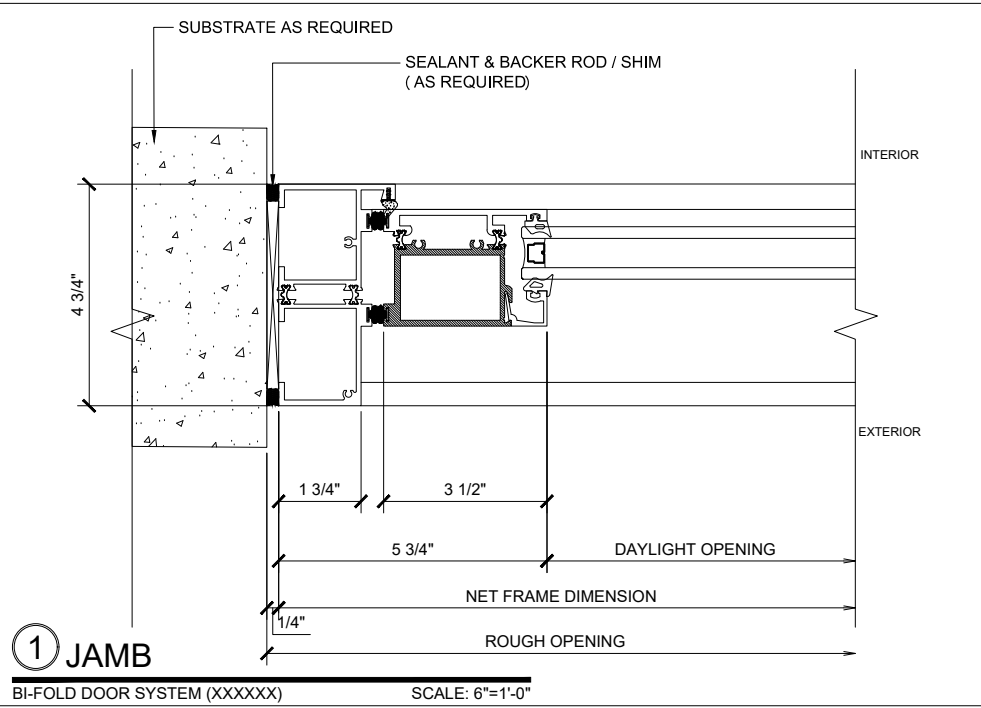
Custom finishes available

NOTE: When using maximum panel width & height 42" x 120" panel may exceed maximum panel weight of 220 lbs, consult PRL for details.



② HIGH SILL (@DOOR)

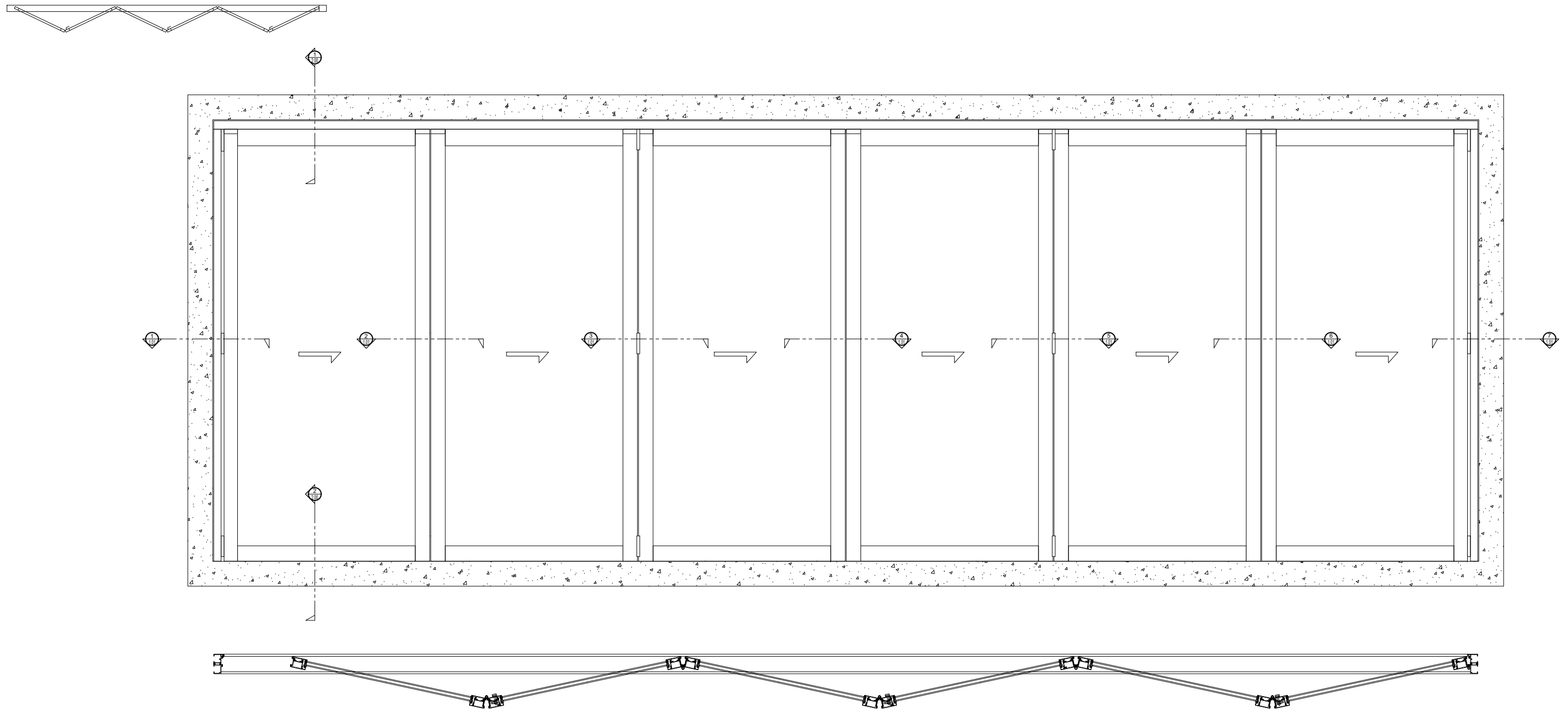
BI-FOLD DOOR SYSTEM (XXXXXX) SCALE: 6"=1'-0"



BI - FOLD

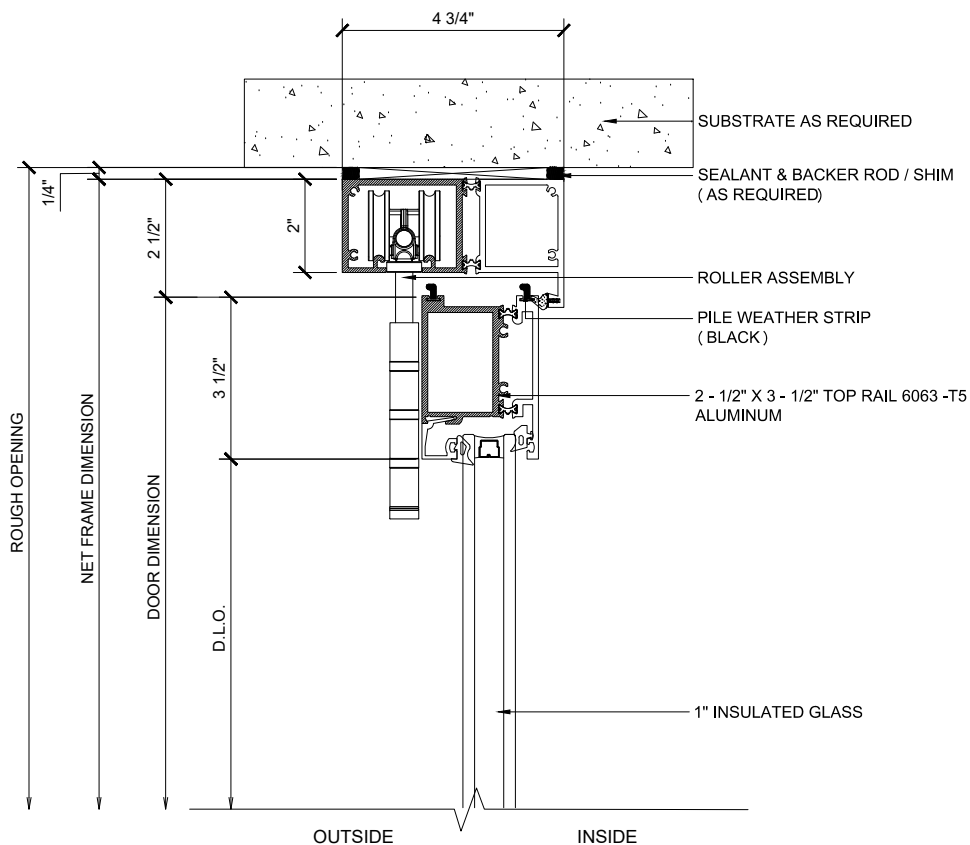
NO SILL

DOOR SYSTEM IN A SINGLE DIRECTION (RIGHT)
6R PANELS - STACKING OUT
X - DOORS



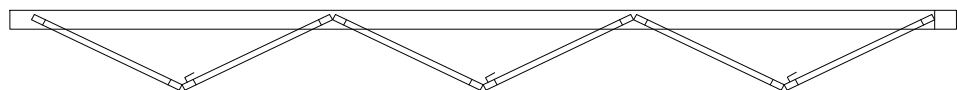
BI - FOLD NO SILL

DOOR SYSTEM IN A SINGLE DIRECTION (RIGHT)
 6R PANELS - STACKING OUT
 X - DOORS



① HEAD (@DOOR)

BI-FOLD DOOR SYSTEM (XXXXXX) SCALE: 6"=1'-0"



Ⓐ CONFIGURATION

BI-FOLD DOOR SYSTEM (XXXXXX) SCALE: 6"=1'-0"

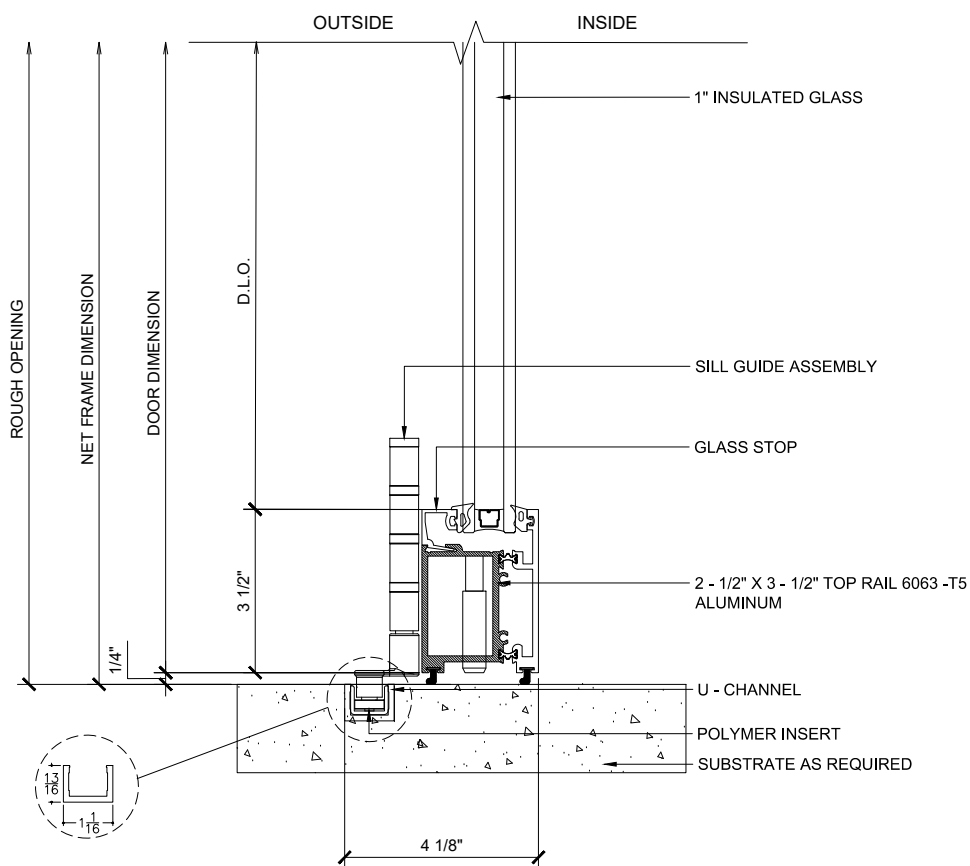
Finishes:

- Clear and Bronze anodized finishes Class 1
- Standard Mill Finish available for custom colors
- Kynar

Custom finishes available

NOTE: When using maximum panel width & height 42" x 120" panel may exceed maximum panel weight of 220 lbs, consult PRL for details.

NO WATERPROOF



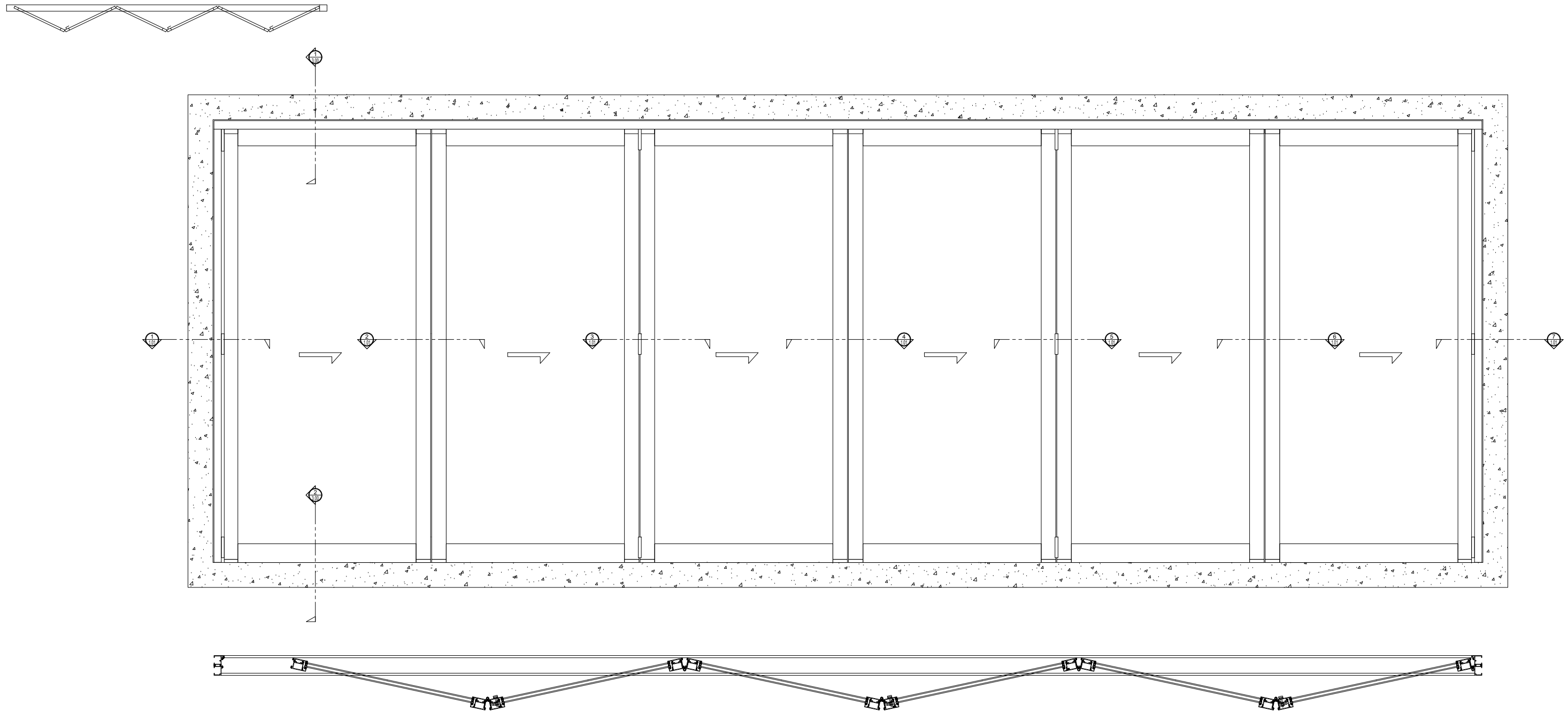
② NO SILL (@DOOR)

BI-FOLD DOOR SYSTEM (XXXX) SCALE: 6"=1'-0"

BI - FOLD

LOW SILL

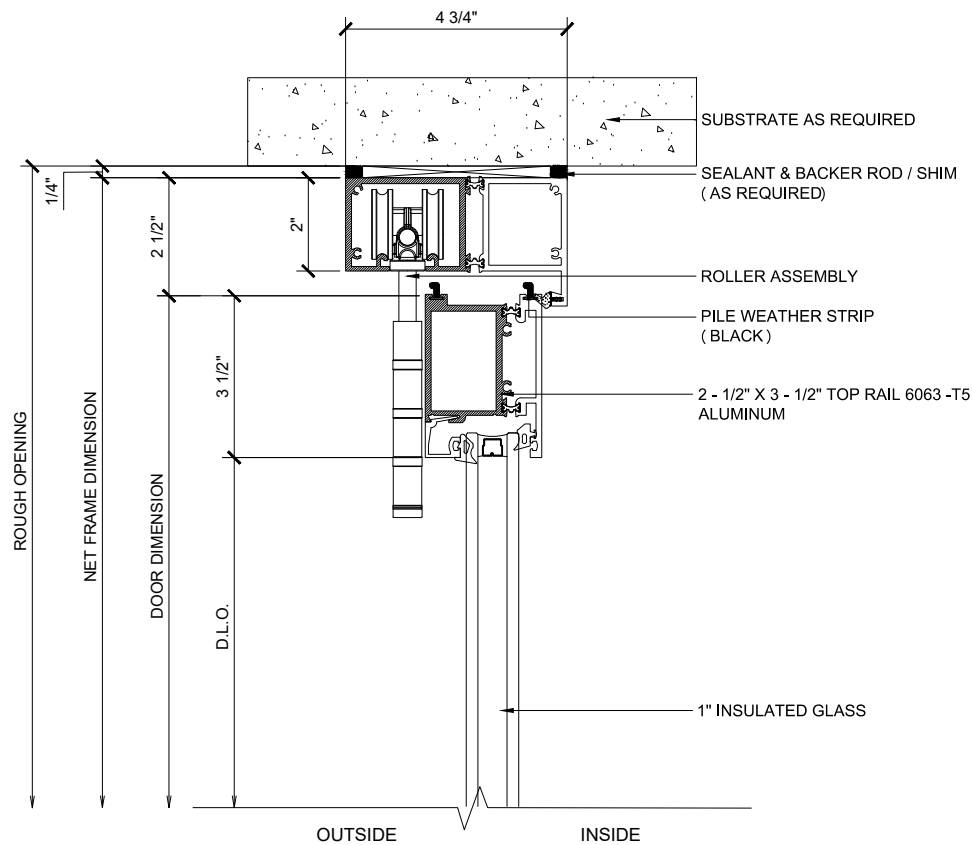
DOOR SYSTEM IN A SINGLE DIRECTION (RIGHT)
6R PANELS - STACKING OUT
X - DOORS



BI - FOLD

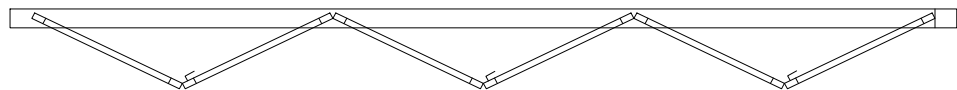
LOW SILL

DOOR SYSTEM IN A SINGLE DIRECTION (RIGHT)
 6R PANELS - STACKING OUT
 X - DOORS



① HEAD (@DOOR)

BI-FOLD DOOR SYSTEM (XXXXXX) SCALE: 6"=1'-0"



Ⓐ CONFIGURATION

BI-FOLD DOOR SYSTEM (XXXXXX) SCALE: 6"=1'-0"

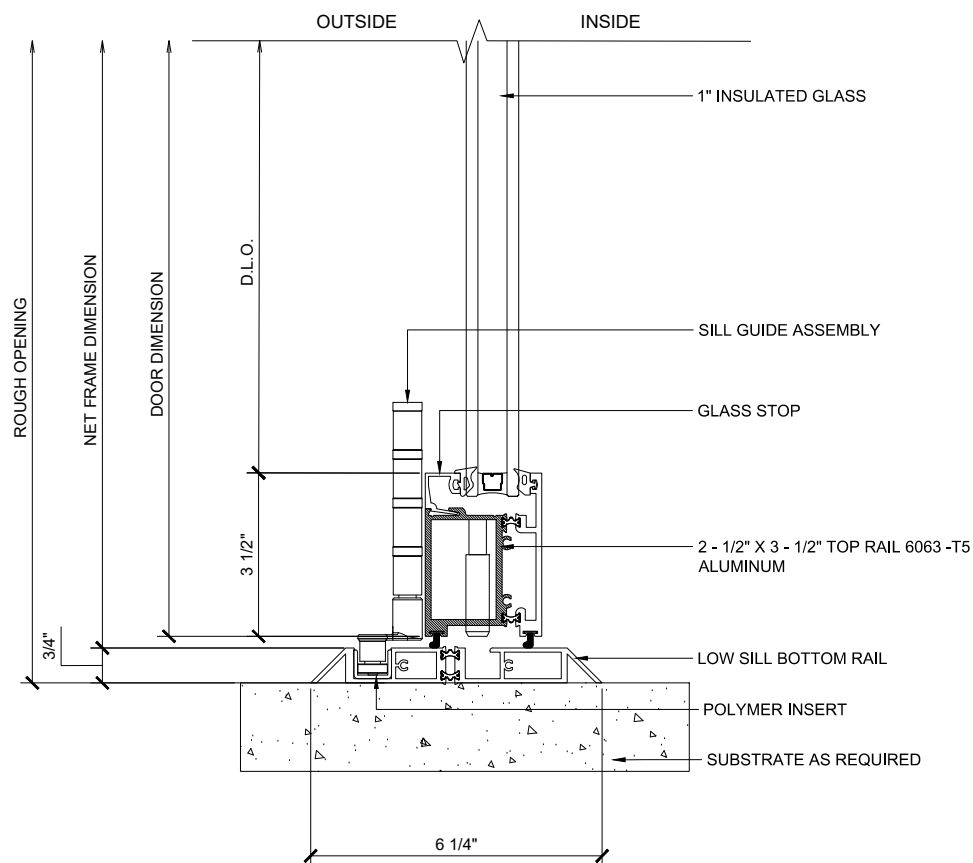
Finishes:

- Clear and Bronze anodized finishes Class 1
- Standard Mill Finish available for custom colors
- Kynar

Custom finishes available

NOTE: When using maximum panel width & height 42" x 120" panel may exceed maximum panel weight of 220 lbs, consult PRL for details.

NO WATERPROOF



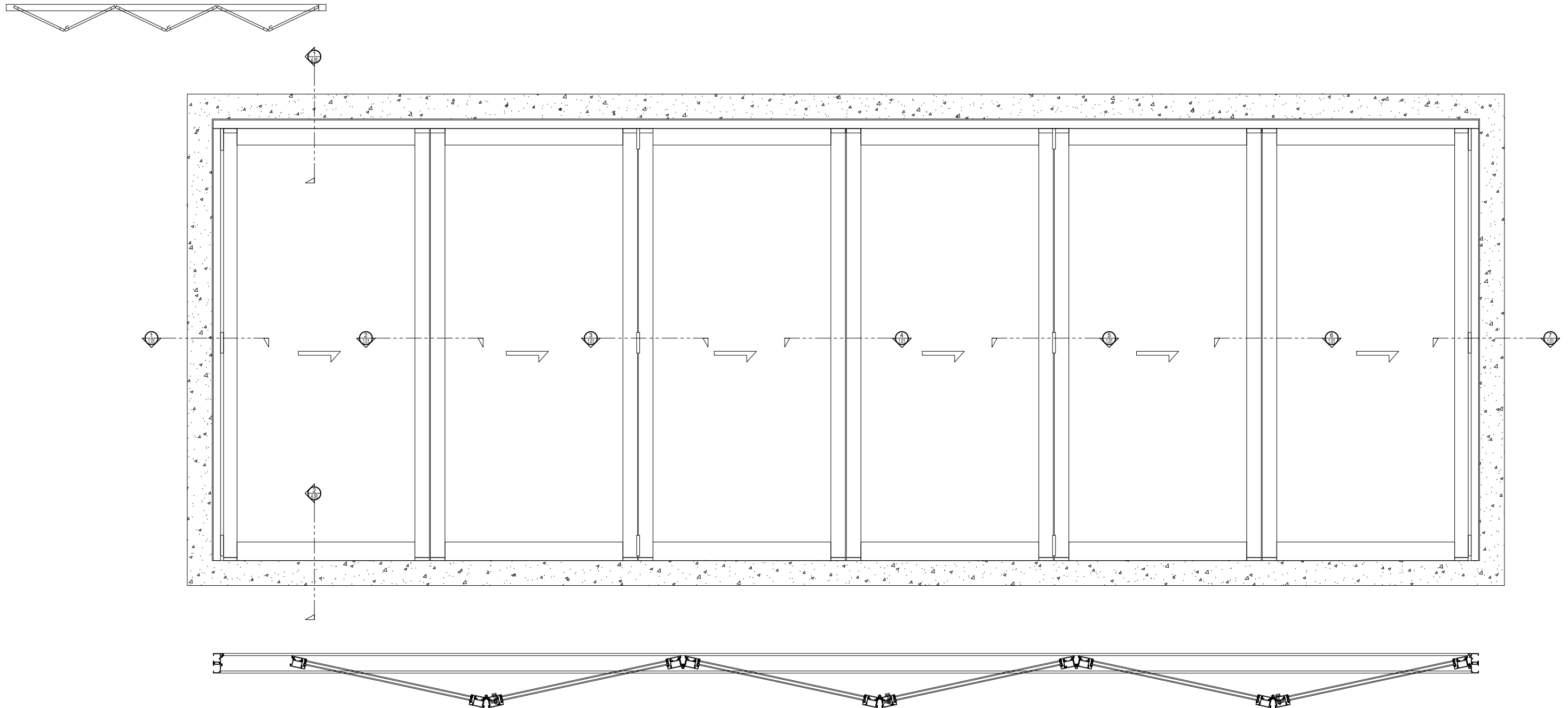
② LOW SILL (@DOOR)

BI-FOLD DOOR SYSTEM (XXXX) SCALE: 6"=1'-0"

BI - FOLD

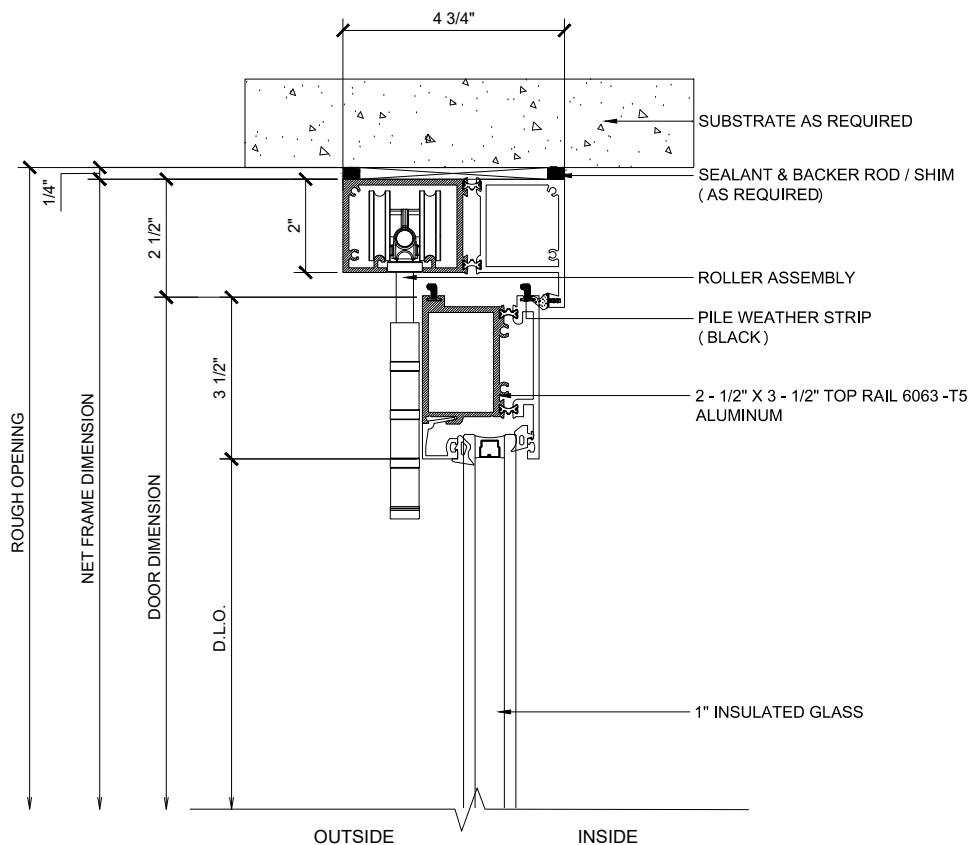
ADA SILL

DOOR SYSTEM IN A SINGLE DIRECTION (RIGHT)
6R PANELS - STACKING OUT
X - DOORS



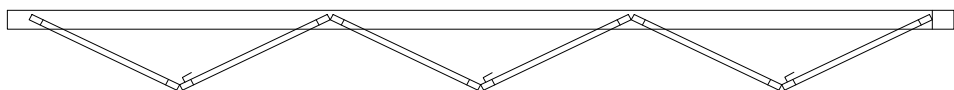
BI - FOLD ADA SILL

DOOR SYSTEM IN A SINGLE DIRECTION (RIGHT)
 6R PANELS - STACKING OUT
 X - DOORS



① HEAD (@DOOR)

BI-FOLD DOOR SYSTEM (XXXXXX) SCALE: 6"=1'-0"



A CONFIGURATION

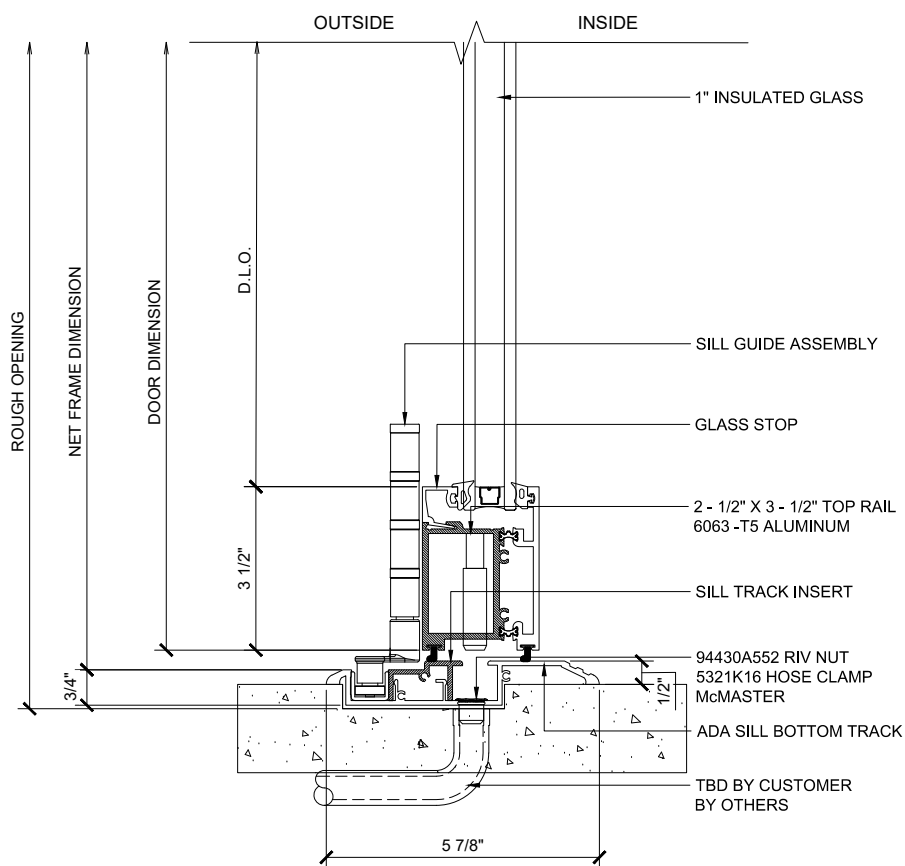
BI-FOLD DOOR SYSTEM (XXXXXX) SCALE: 6"=1'-0"

- Finishes:
- Clear and Bronze anodized finishes Class 1
 - Standard Mill Finish available for custom colors
 - Kynar

Custom finishes available

NOTE: When using maximum panel width & height 42" x 120" panel may exceed maximum panel weight of 220 lbs, consult PRL for details.

NO WATERPROOF



② ADA SILL (@DOOR)

BI-FOLD DOOR SYSTEM (XXXX) SCALE: 6"=1'-0"