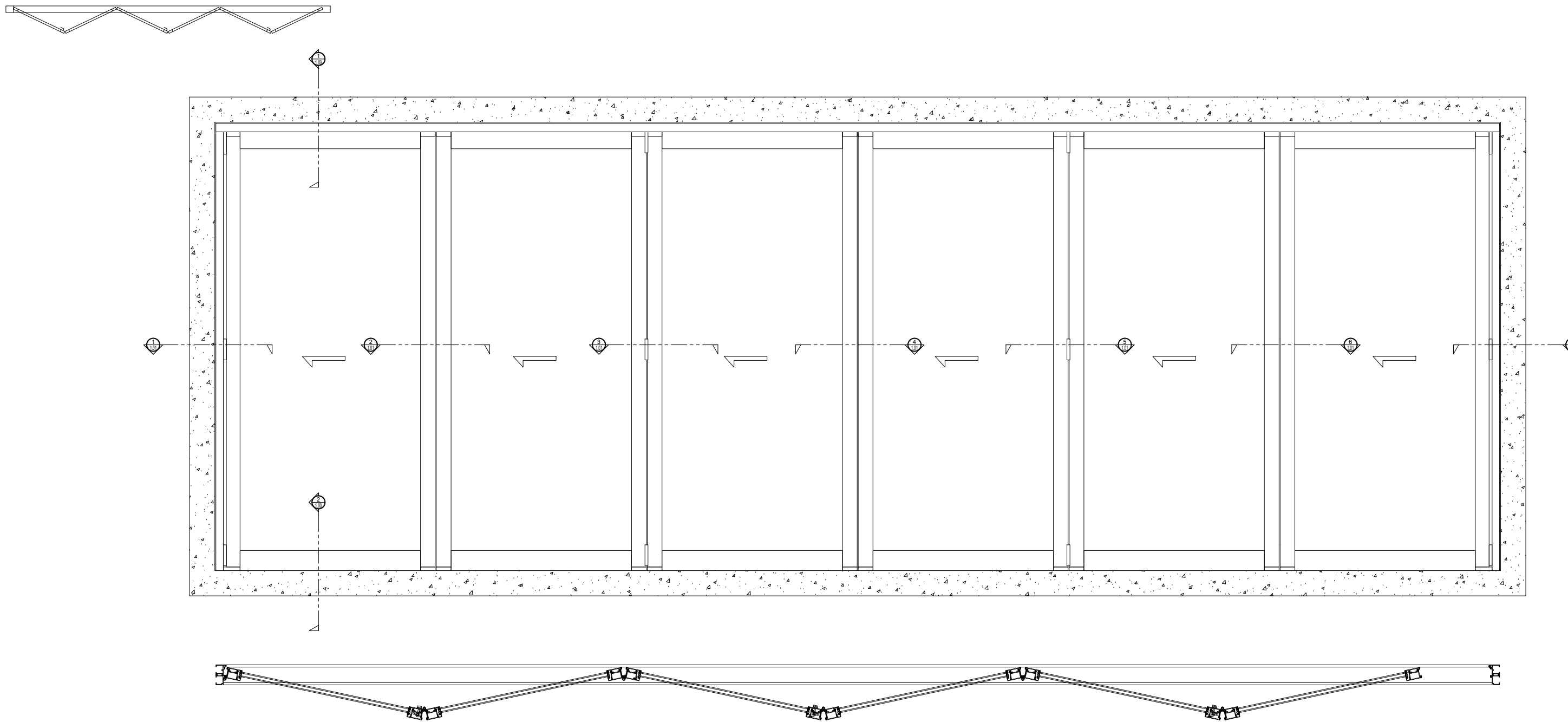


## BI - FOLD

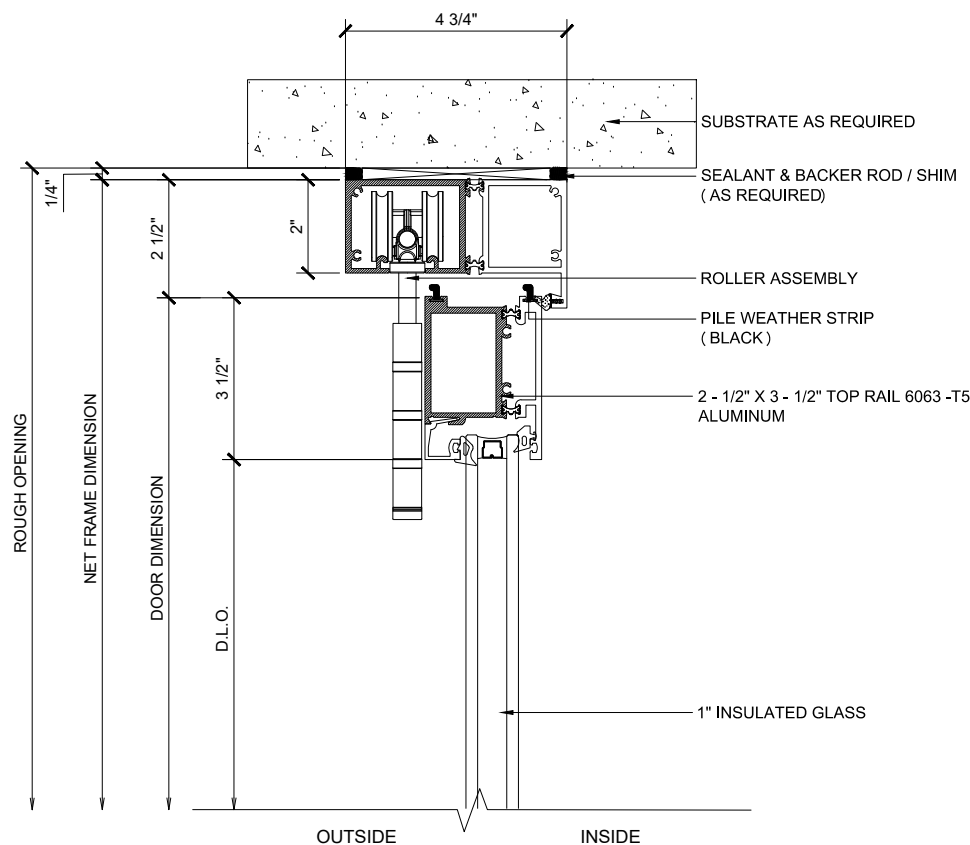
### HIGH SILL

DOOR SYSTEM IN A SINGLE DIRECTION (LEFT)  
6L PANELS - STACKING OUT  
X - DOORS



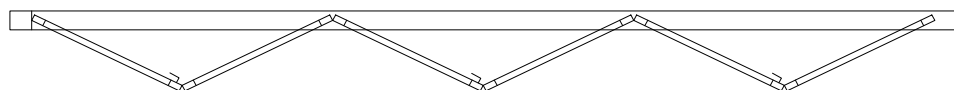
## BI - FOLD HIGH SILL

DOOR SYSTEM IN A SINGLE DIRECTION (LEFT)  
 6L PANELS - STACKING OUT  
 X - DOORS



### ① HEAD (@DOOR)

BI-FOLD DOOR SYSTEM (XXXXXX) SCALE: 6"=1'-0"



### Ⓐ CONFIGURATION

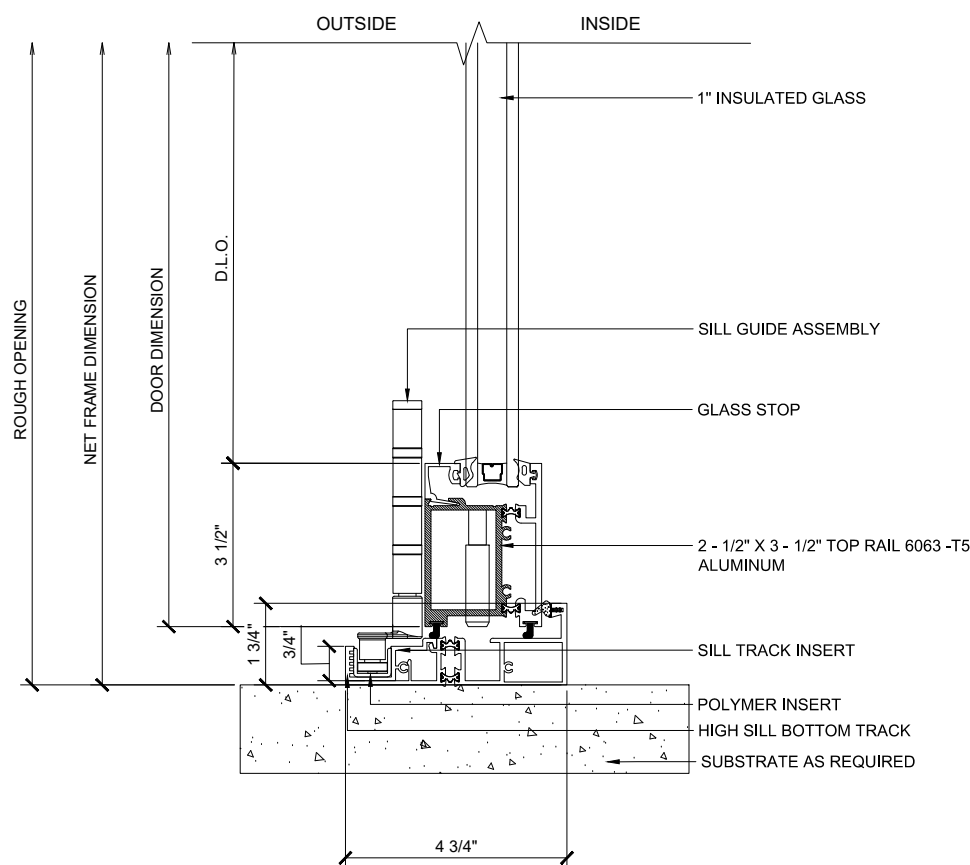
BI-FOLD DOOR SYSTEM (XXXXXX) SCALE: 6"=1'-0"

#### Finishes:

- Clear and Bronze anodized finishes Class 1
- Standard Mill Finish available for custom colors
- Kynar

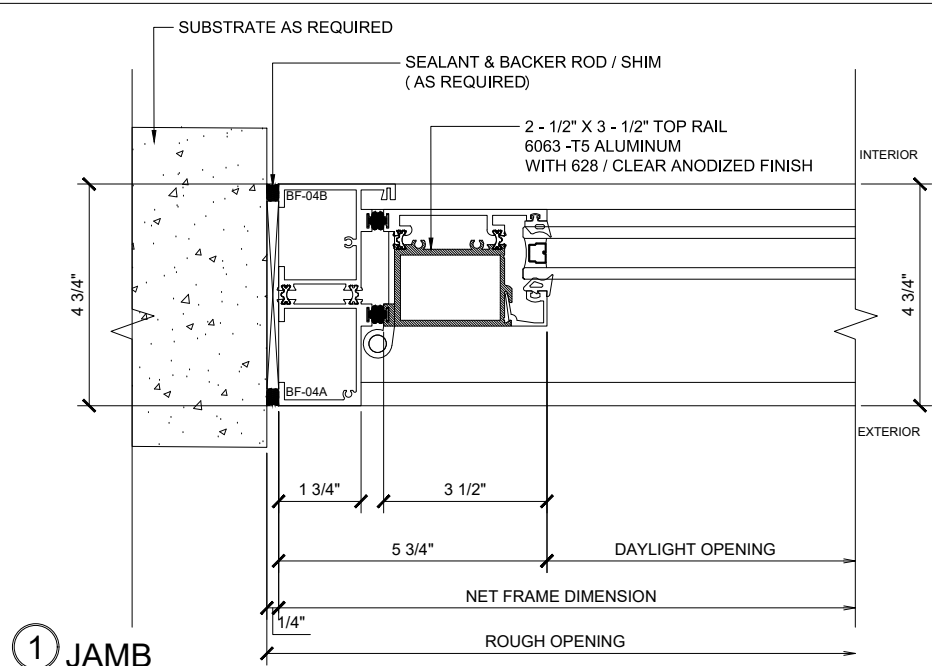
Custom finishes available

NOTE: When using maximum panel width & height 42" x 120" panel may exceed maximum panel weight of 220 lbs, consult PRL for details.

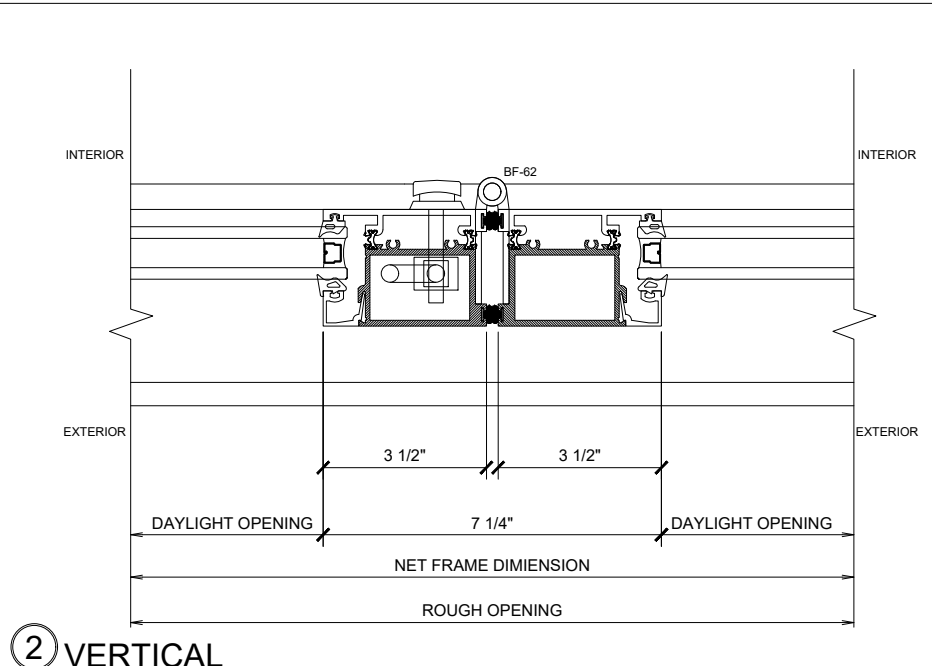


### ② HIGH SILL (@DOOR)

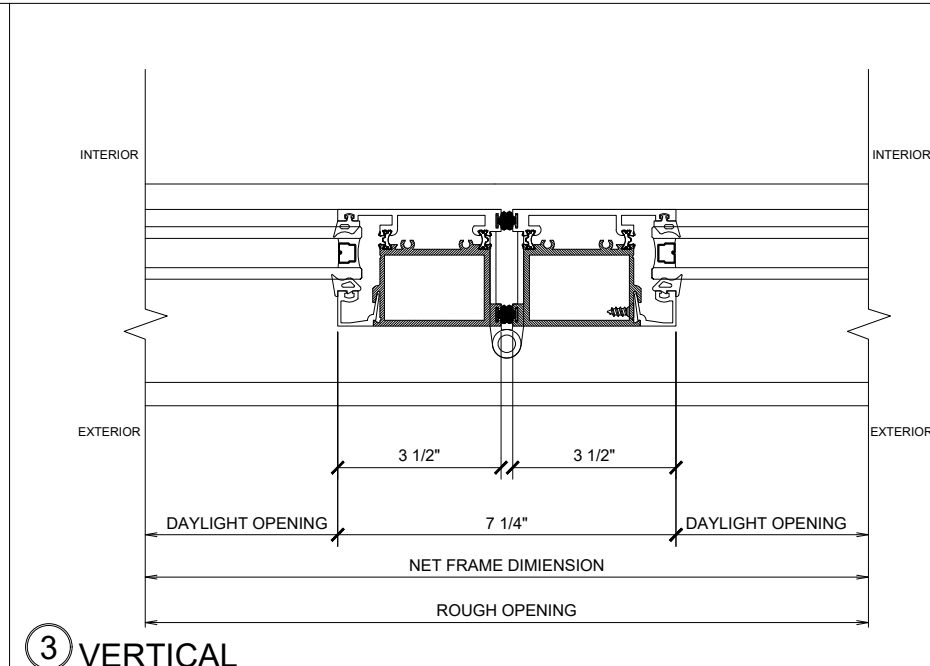
BI-FOLD DOOR SYSTEM (XXXXXX) SCALE: 6"=1'-0"



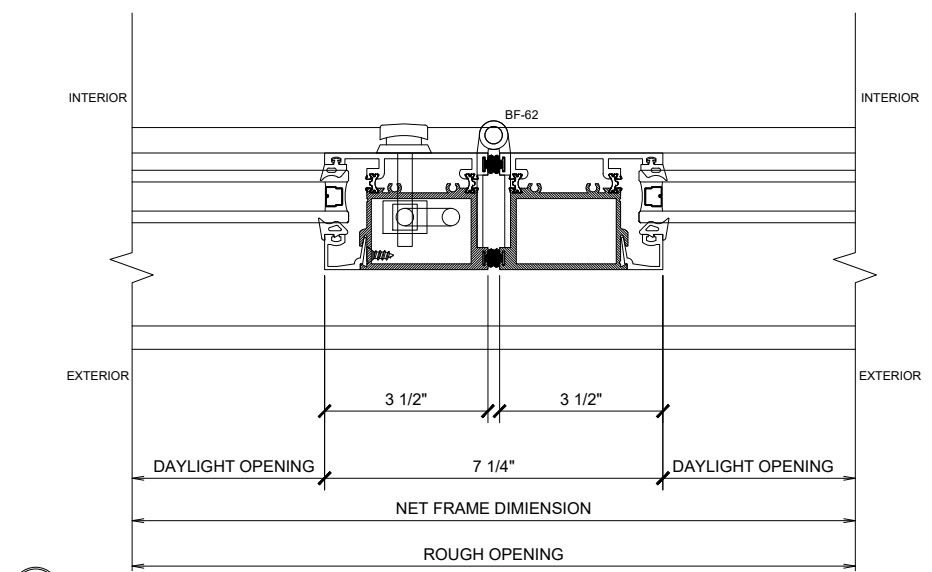
**1 JAMB**  
BI-FOLD DOOR SYSTEM (XXXXXX) SCALE: 6"=1'-0"



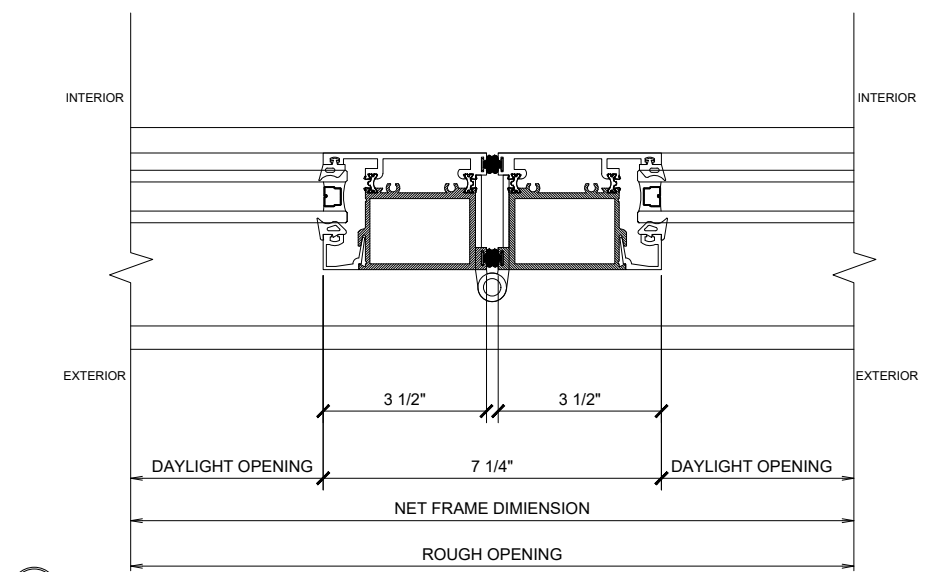
**2 VERTICAL**  
BI-FOLD DOOR SYSTEM (XXXXXX) SCALE: 6"=1'-0"



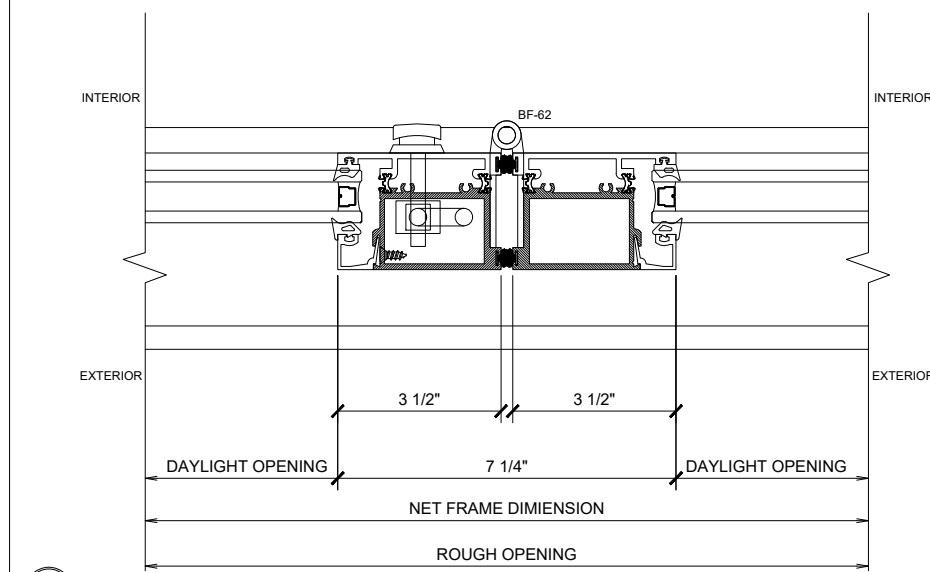
**3 VERTICAL**  
BI-FOLD DOOR SYSTEM (XXXXXX) SCALE: 6"=1'-0"



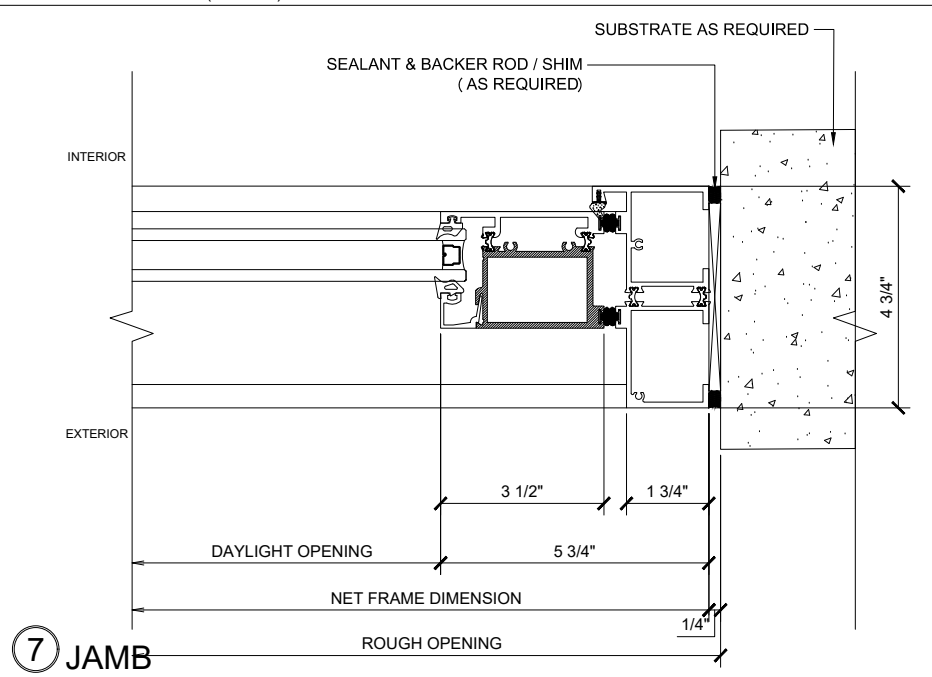
**4 VERTICAL**  
BI-FOLD DOOR SYSTEM (XXXXXX) SCALE: 6"=1'-0"



**5 VERTICAL**  
BI-FOLD DOOR SYSTEM (XXXXXX) SCALE: 6"=1'-0"



**6 VERTICAL**  
BI-FOLD DOOR SYSTEM (XXXXXX) SCALE: 6"=1'-0"

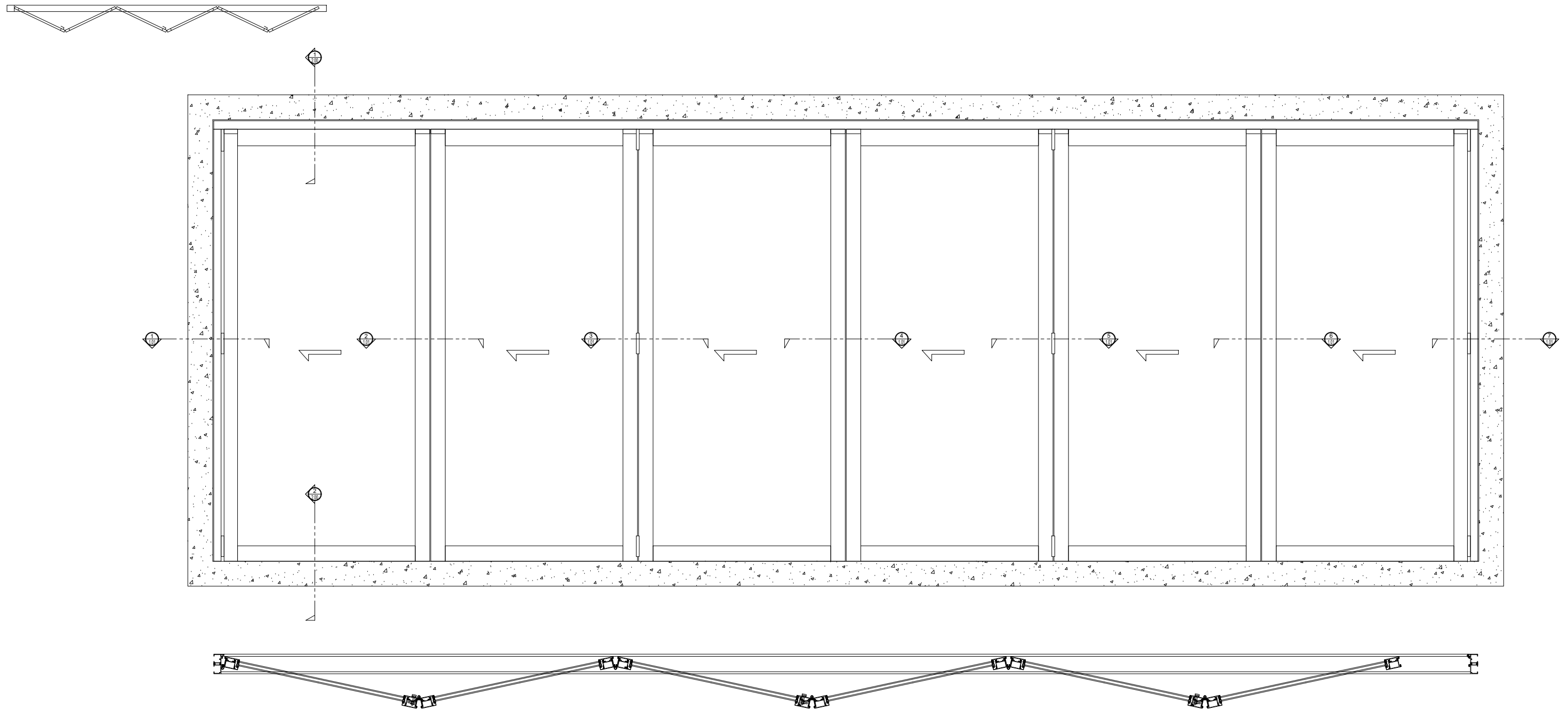


**7 JAMB**  
BI-FOLD DOOR SYSTEM (XXXXXX) SCALE: 6"=1'-0"

## BI - FOLD

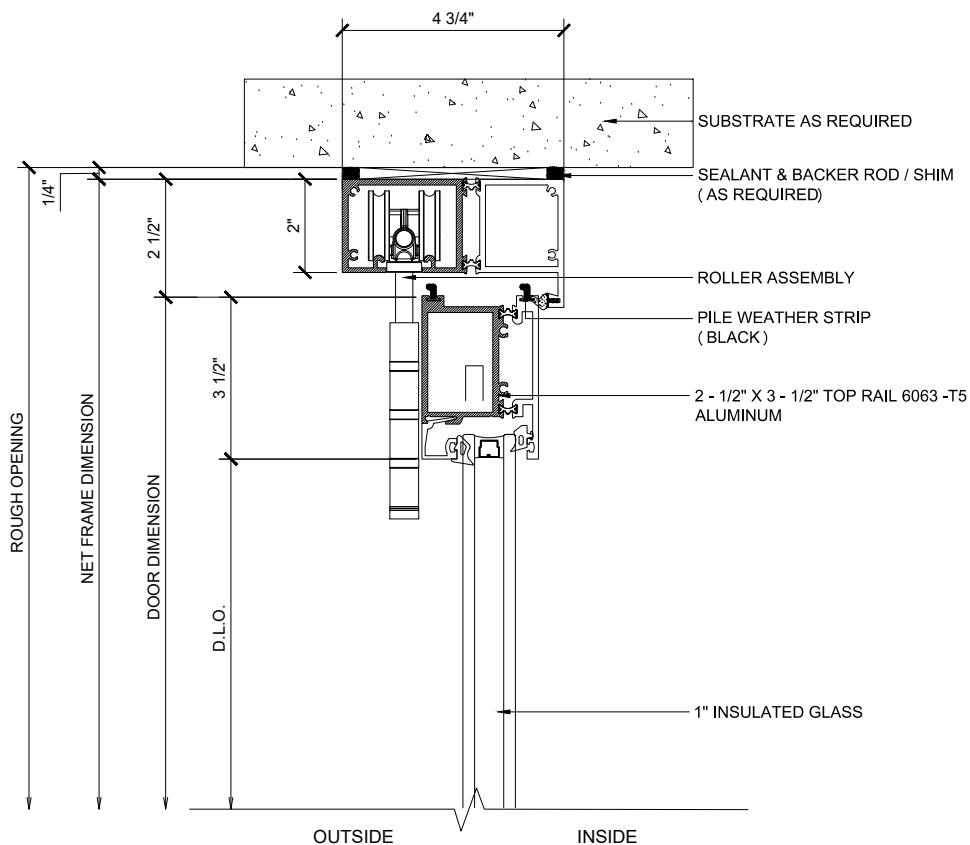
### NO SILL

DOOR SYSTEM IN A SINGLE DIRECTION (LEFT)  
6L PANELS - STACKING OUT  
X - DOORS



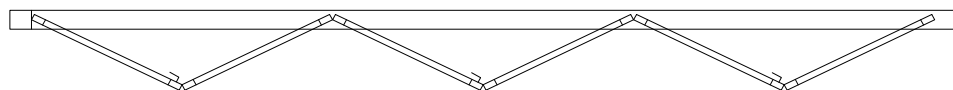
## BI - FOLD NO SILL

DOOR SYSTEM IN A SINGLE DIRECTION (LEFT)  
 6L PANELS - STACKING OUT  
 X - DOORS



### ① HEAD (@DOOR)

BI-FOLD DOOR SYSTEM (XXXXXX) SCALE: 6"=1'-0"



### Ⓐ CONFIGURATION

BI-FOLD DOOR SYSTEM (XXXXXX) SCALE: 6"=1'-0"

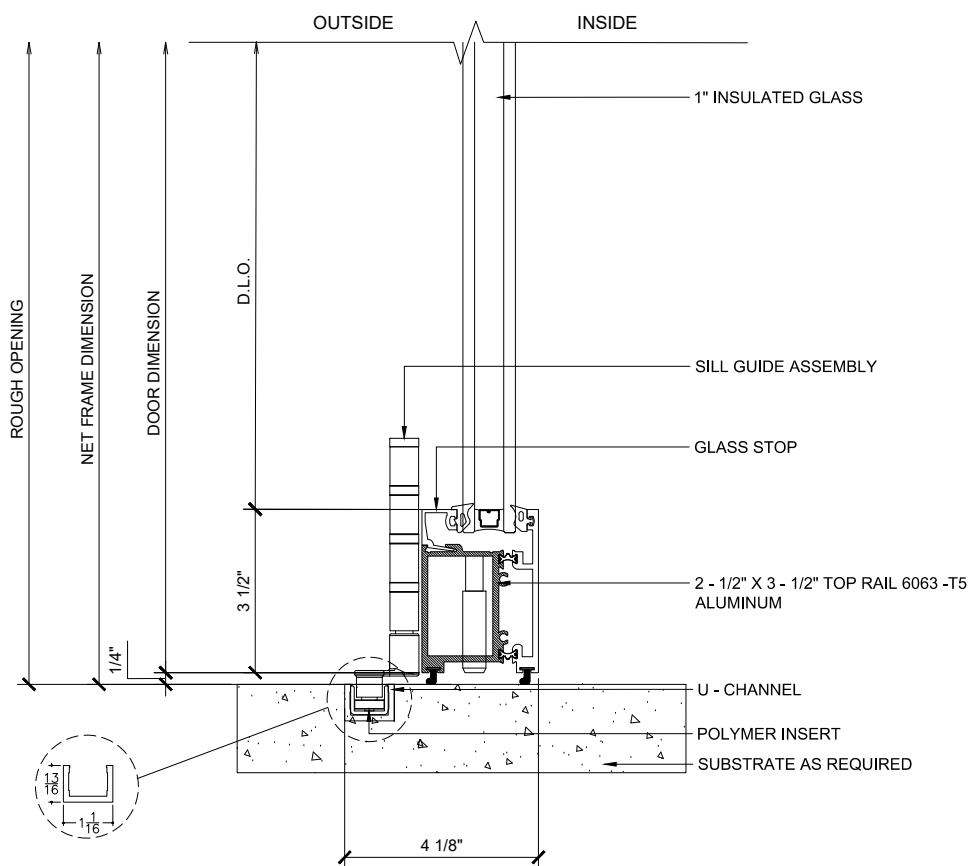
#### Finishes:

- Clear and Bronze anodized finishes Class 1
- Standard Mill Finish available for custom colors
- Kynar

Custom finishes available

NOTE: When using maximum panel width & height 42" x 120" panel may exceed maximum panel weight of 220 lbs, consult PRL for details.

NO WATERPROOF



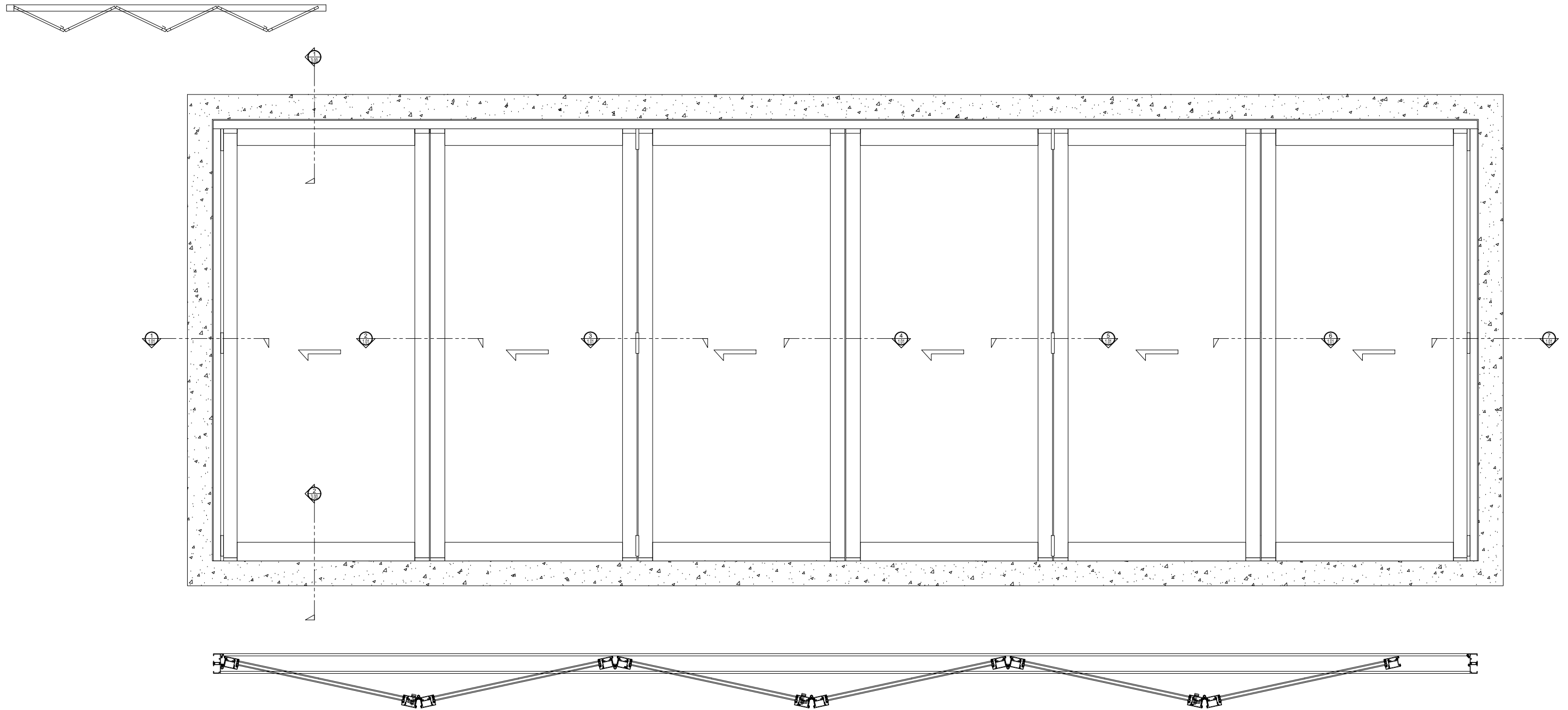
### ② NO SILL (@DOOR)

BI-FOLD DOOR SYSTEM (XXXX) SCALE: 6"=1'-0"

## BI - FOLD

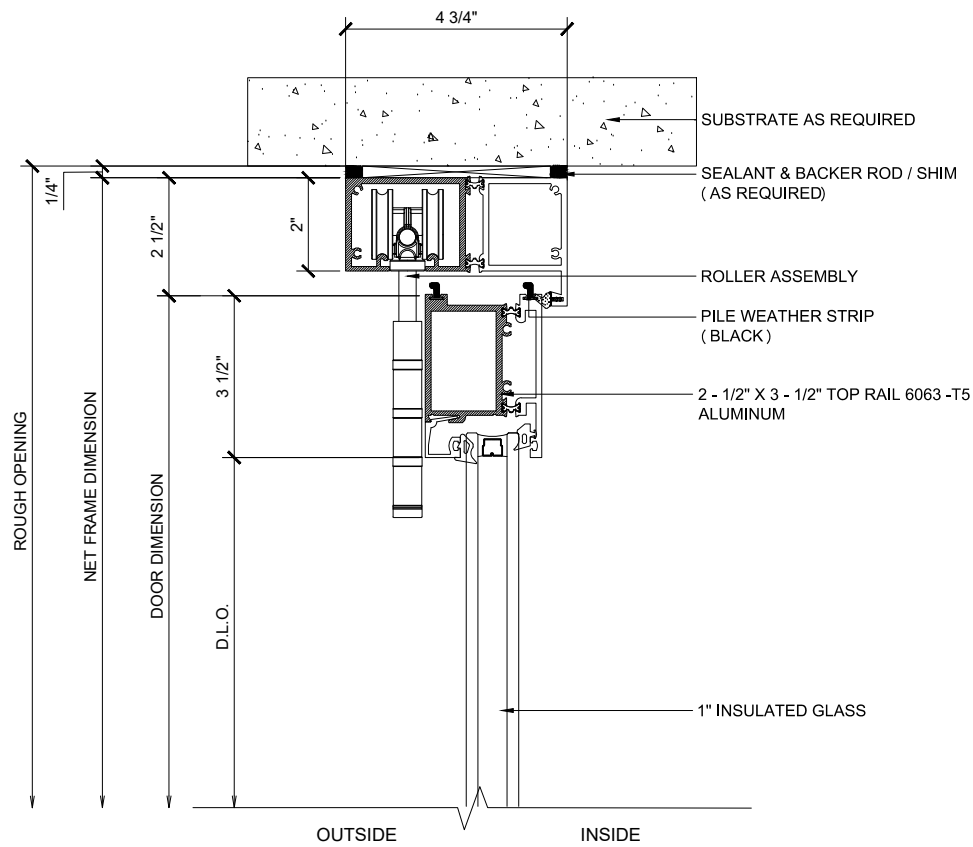
### LOW SILL

DOOR SYSTEM IN A SINGLE DIRECTION (LEFT)  
6L PANELS - STACKING OUT  
X - DOORS



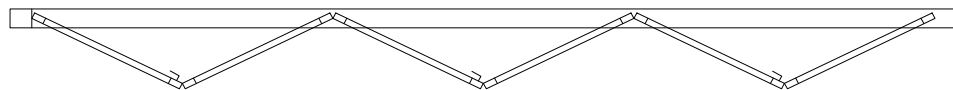
## BI - FOLD LOW SILL

DOOR SYSTEM IN A SINGLE DIRECTION (LEFT)  
 6L PANELS - STACKING OUT  
 X - DOORS



### ① HEAD (@DOOR)

BI-FOLD DOOR SYSTEM (XXXXXX) SCALE: 6"=1'-0"



### Ⓐ CONFIGURATION

BI-FOLD DOOR SYSTEM (XXXXXX) SCALE: 6"=1'-0"

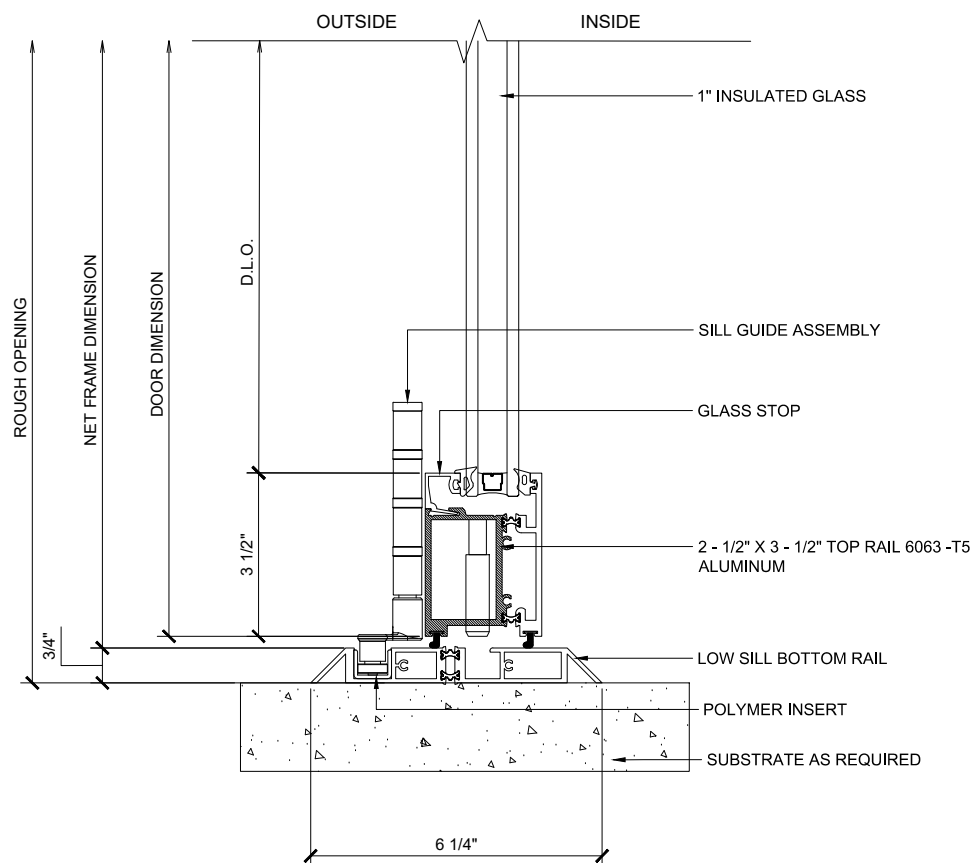
#### Finishes:

- Clear and Bronze anodized finishes Class 1
- Standard Mill Finish available for custom colors
- Kynar

Custom finishes available

NOTE: When using maximum panel width & height 42" x 120" panel may exceed maximum panel weight of 220 lbs, consult PRL for details.

NO WATERPROOF



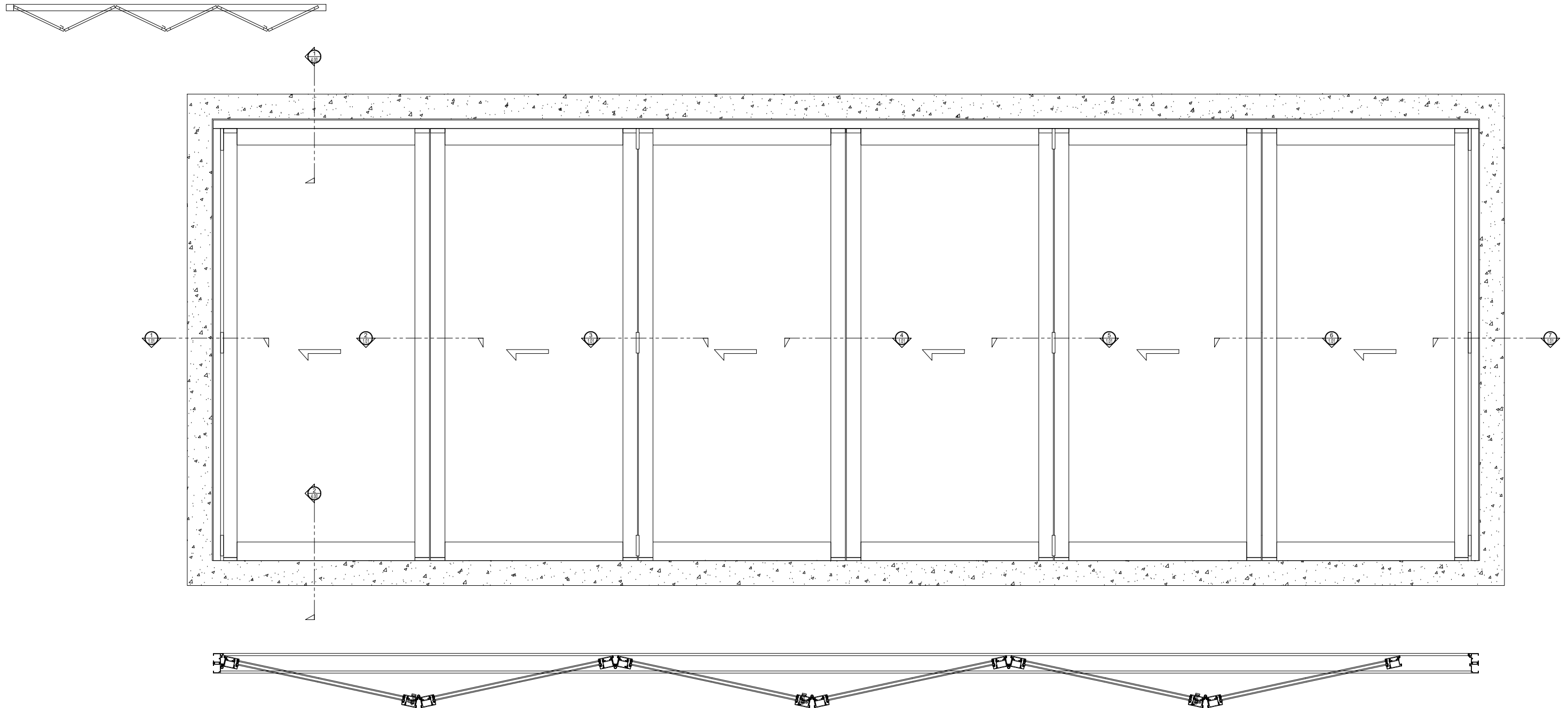
### ② LOW SILL (@DOOR)

BI-FOLD DOOR SYSTEM (XXXX) SCALE: 6"=1'-0"

## BI - FOLD

### ADA SILL

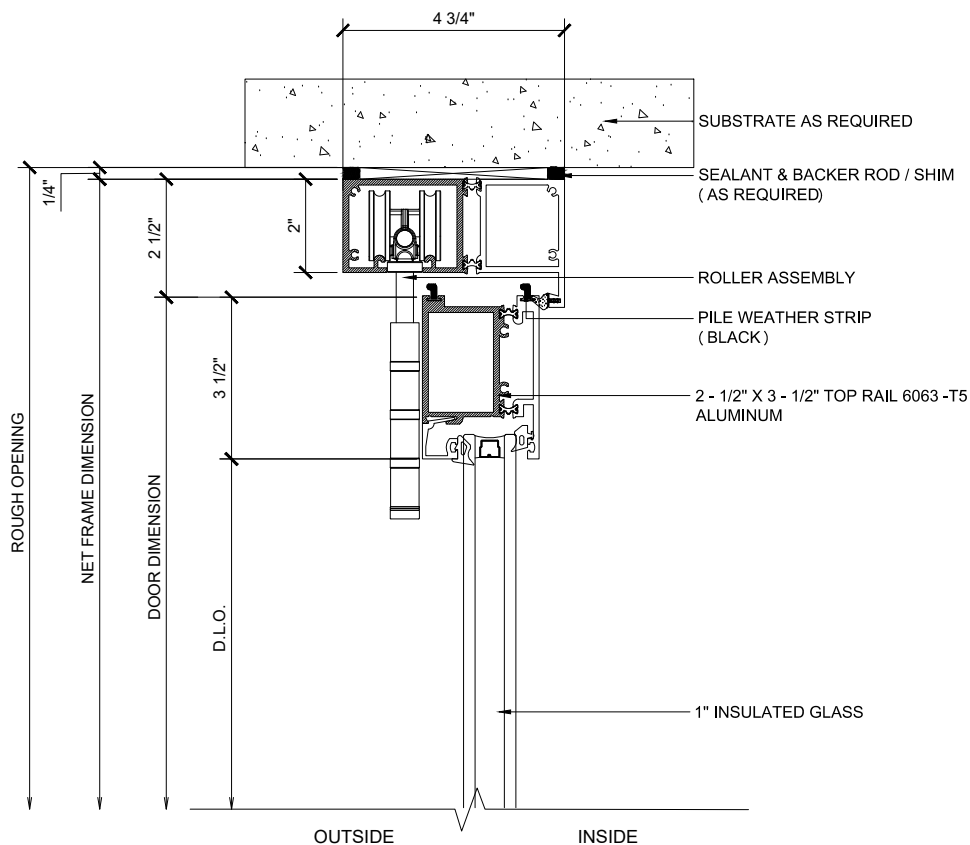
DOOR SYSTEM IN A SINGLE DIRECTION (LEFT)  
6L PANELS - STACKING OUT  
X - DOORS





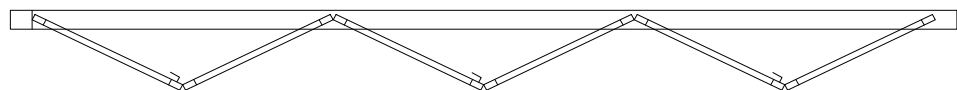
## BI - FOLD ADA SILL

DOOR SYSTEM IN A SINGLE DIRECTION (LEFT)  
 6L PANELS - STACKING OUT  
 X - DOORS



① HEAD (@DOOR)

BI-FOLD DOOR SYSTEM (XXXXXX) SCALE: 6"=1'-0"



## A CONFIGURATION

BI-FOLD DOOR SYSTEM (XXXXXX) SCALE: 6"=1'-0"

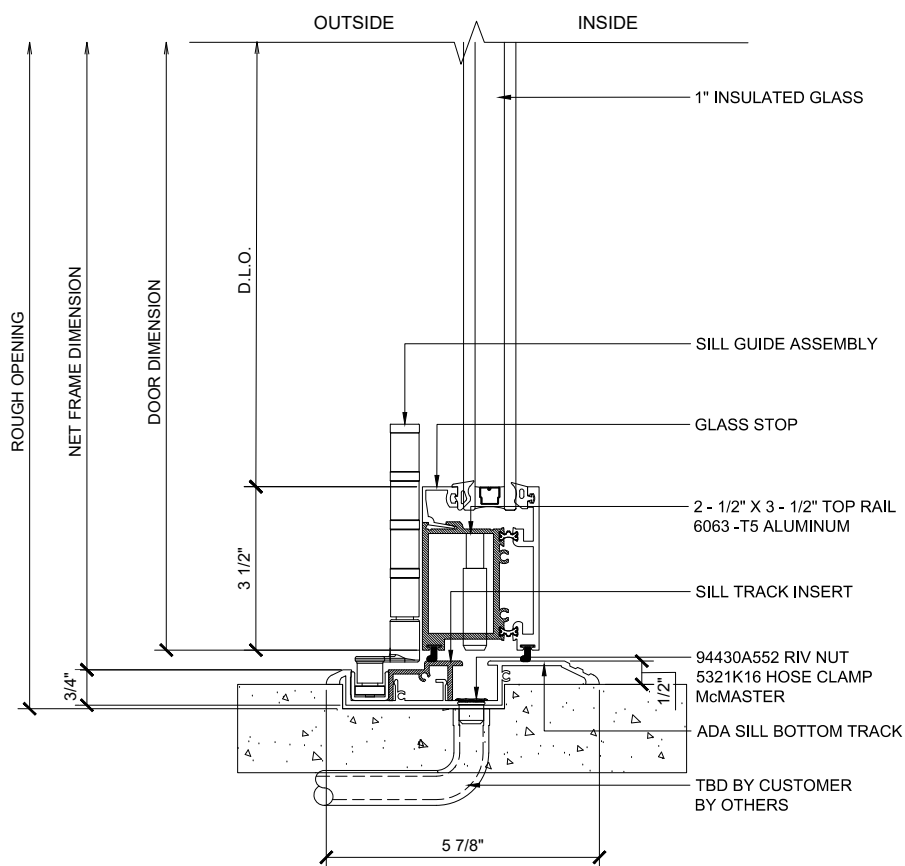
### Finishes:

- Clear and Bronze anodized finishes Class 1
- Standard Mill Finish available for custom colors
- Kynar

Custom finishes available

NOTE: When using maximum panel width & height 42" x 120" panel may exceed maximum panel weight of 220 lbs, consult PRL for details.

NO WATERPROOF



② ADA SILL (@DOOR)

BI-FOLD DOOR SYSTEM (XXXX) SCALE: 6"=1'-0"