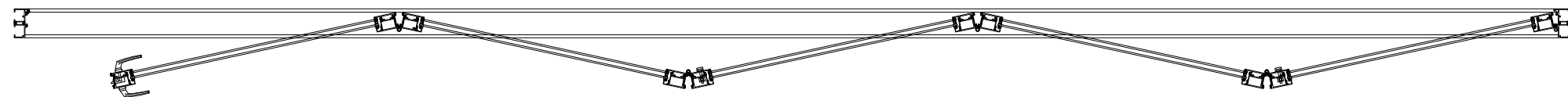
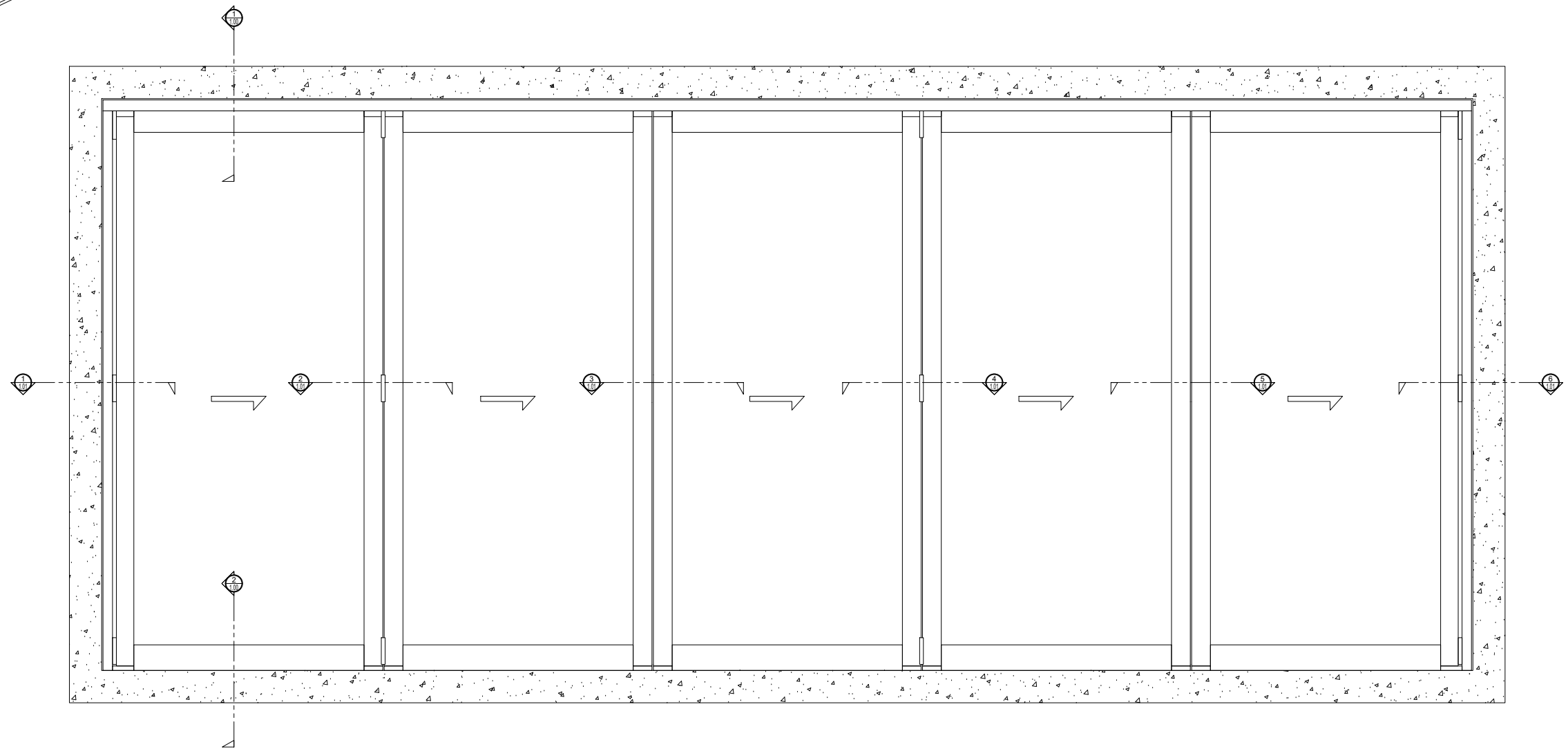
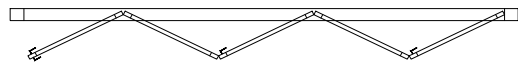


ADDRESS: 13644 NELSON AVE. CITY OF INDUSTRY, CA.
TEL: (877) 775-25856
FAX No.: (626) 968-95256
WEBSITE: www.prl-glass.com www.prlaluminum.com

BI - FOLD

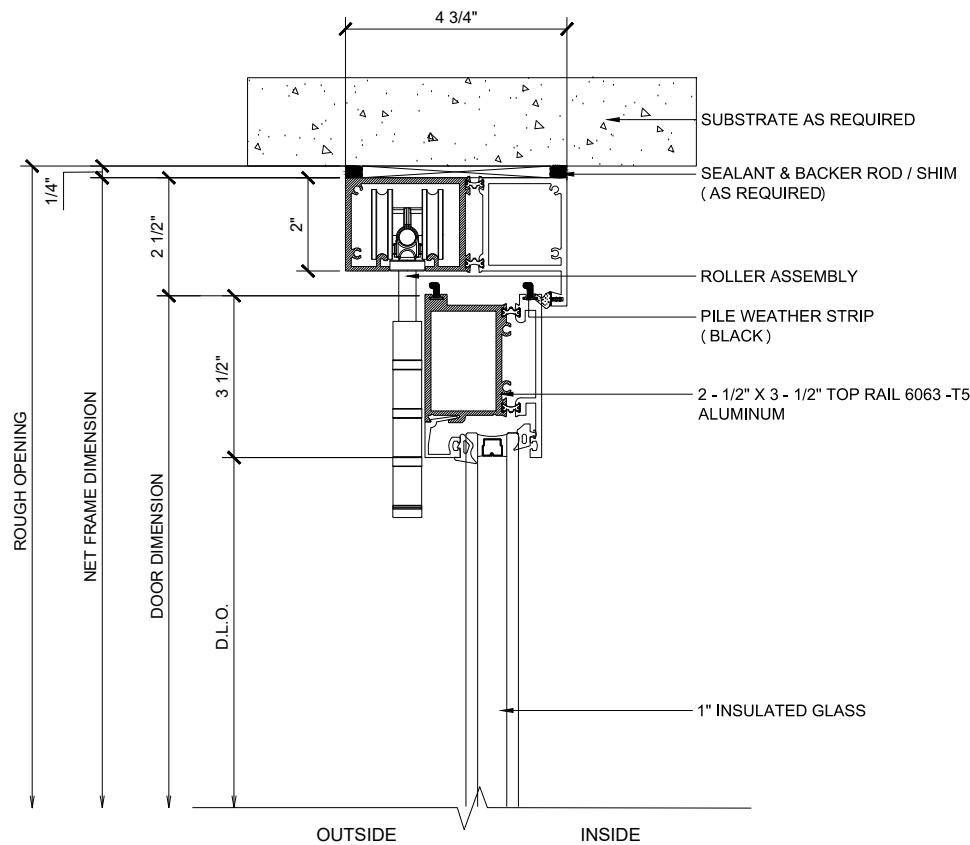
HIGH SILL

DOOR SYSTEM IN A SINGLE DIRECTION (RIGHT)
5R PANELS - STACKING OUT
X - DOORS



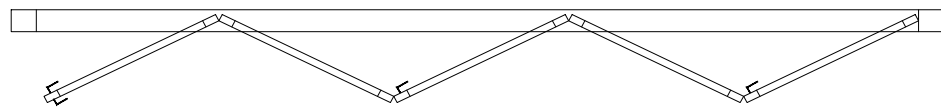
BI - FOLD HIGH SILL

DOOR SYSTEM IN A SINGLE DIRECTION (RIGHT)
 5R PANELS - STACKING OUT
 X - DOORS



① HEAD (@DOOR)

BI-FOLD DOOR SYSTEM (XXXXX) SCALE: 6"=1'-0"



Ⓐ CONFIGURATION

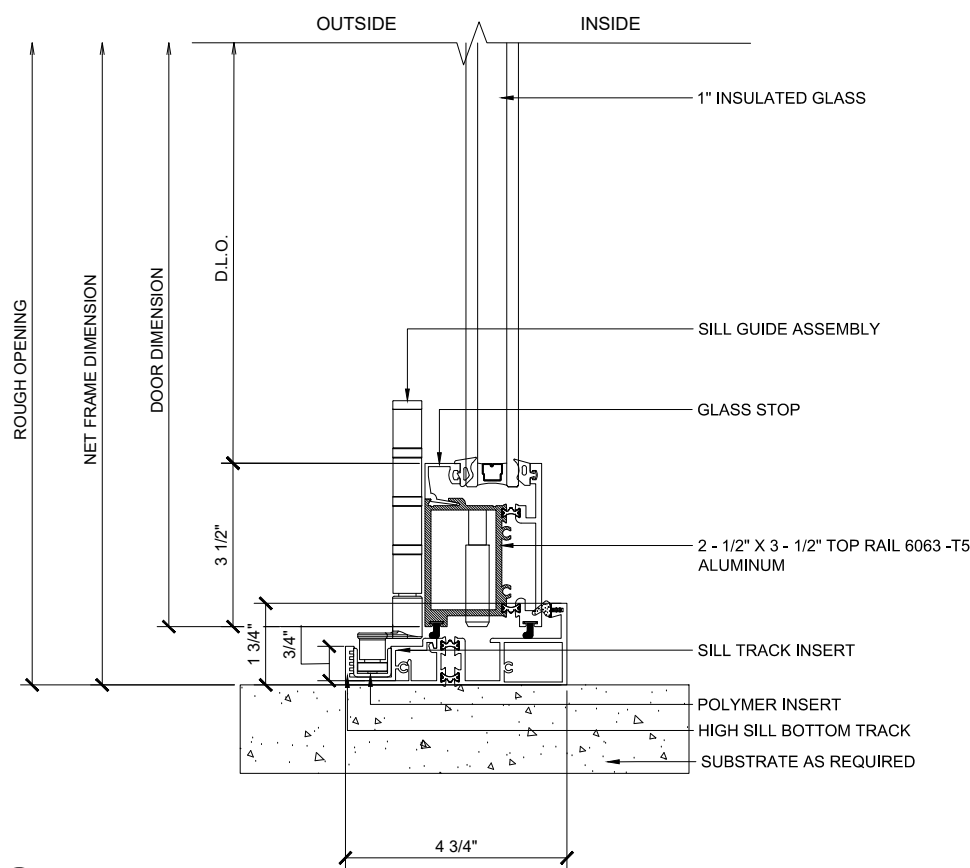
BI-FOLD DOOR SYSTEM (XXXXX) SCALE: 6"=1'-0"

Finishes:

- Clear and Bronze anodized finishes Class 1
- Standard Mill Finish available for custom colors
- Kynar

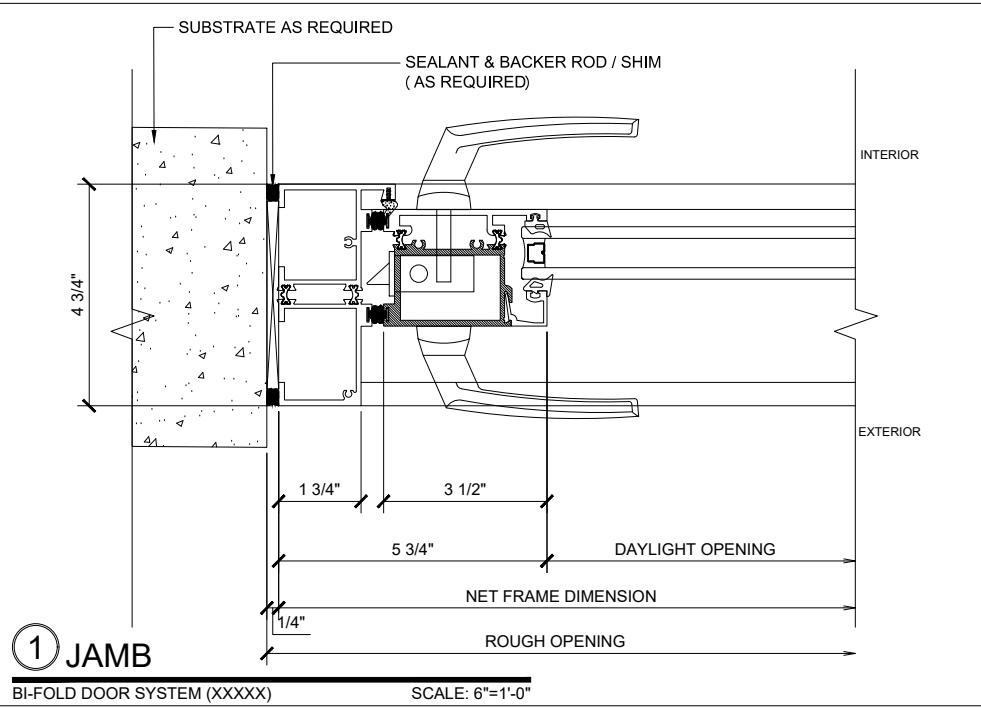
Custom finishes available

NOTE: When using maximum panel width & height 42" x 120" panel may exceed maximum panel weight of 220 lbs, consult PRL for details..

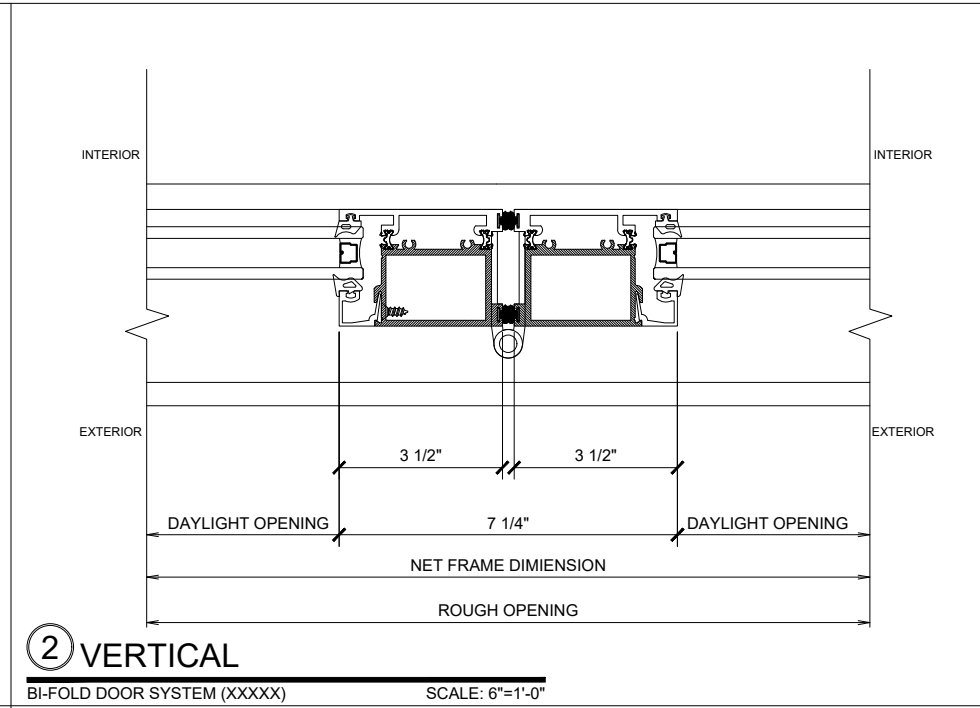


② HIGH SILL (@DOOR)

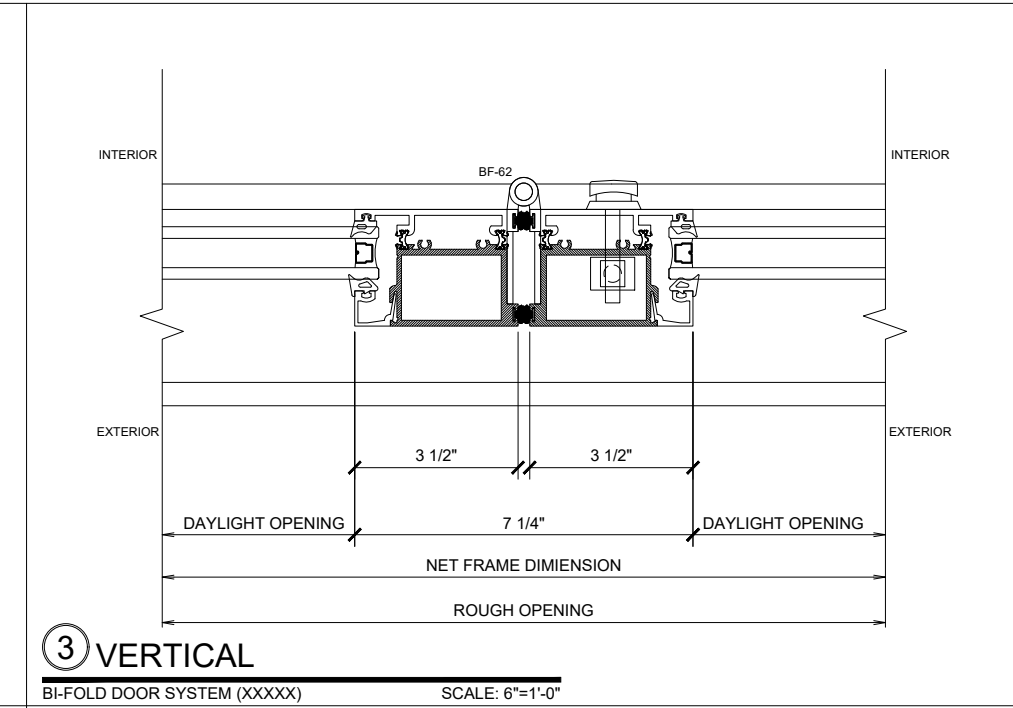
BI-FOLD DOOR SYSTEM (XXXXX) SCALE: 6"=1'-0"



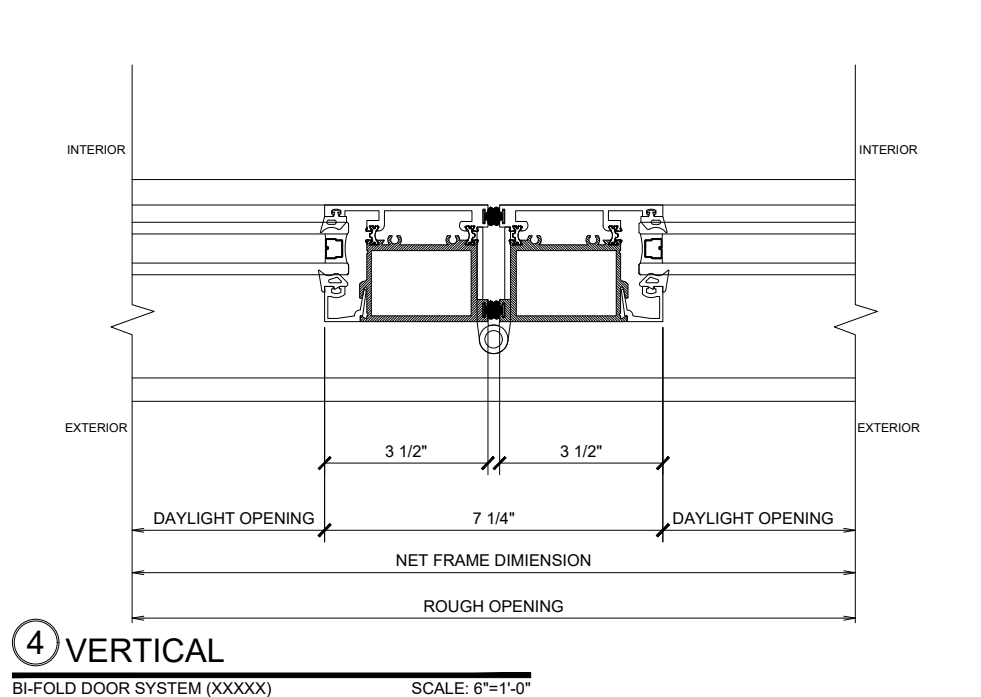
1 JAMB
BI-FOLD DOOR SYSTEM (XXXXX) SCALE: 6"=1'-0"



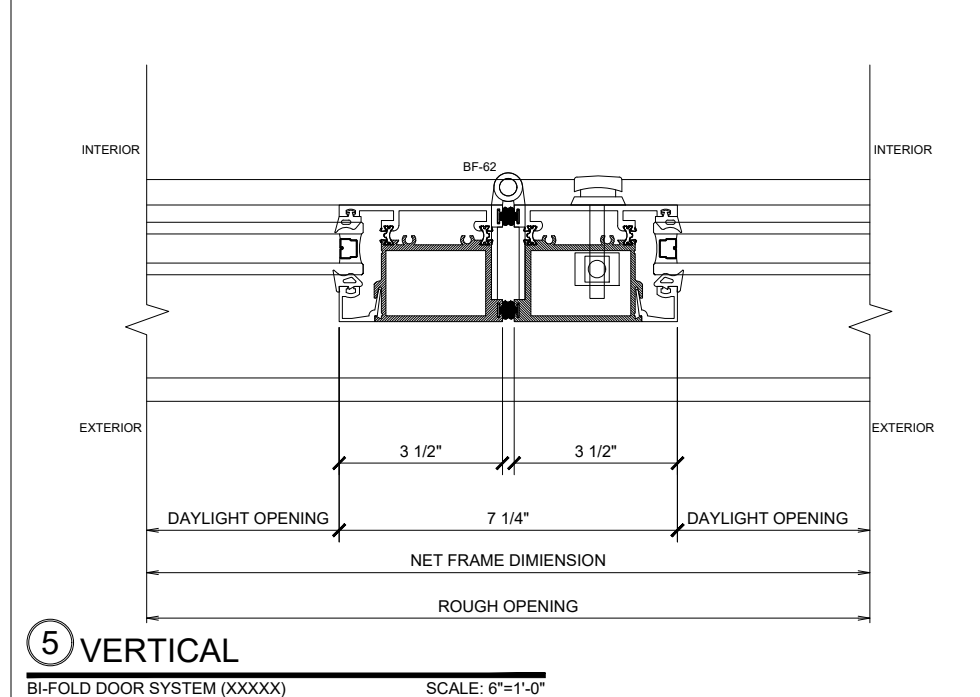
2 VERTICAL
BI-FOLD DOOR SYSTEM (XXXXX) SCALE: 6"=1'-0"



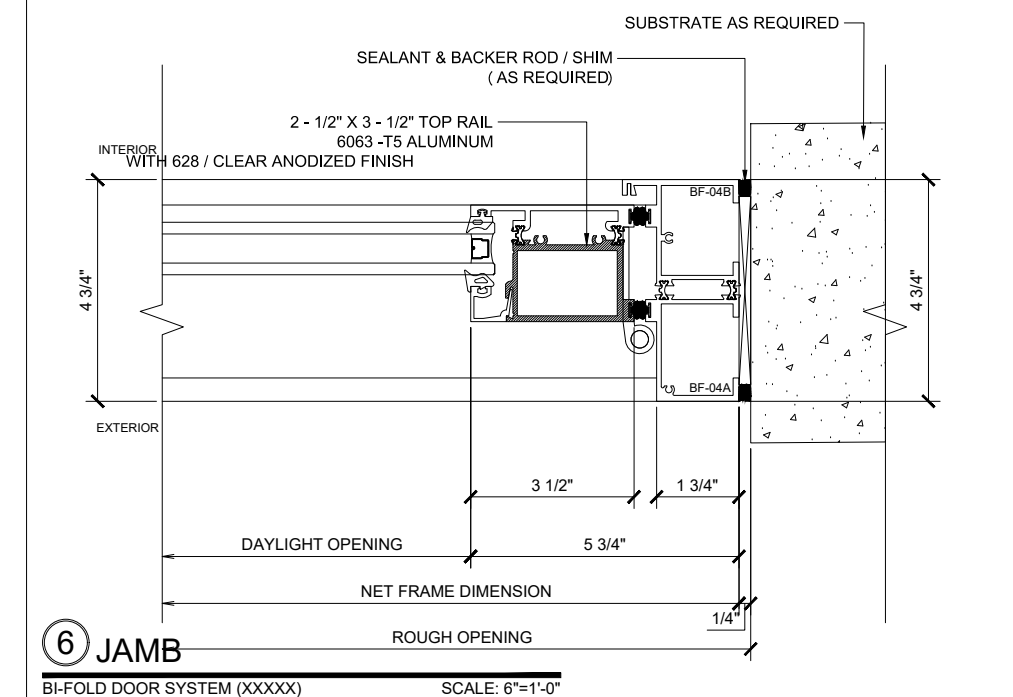
3 VERTICAL
BI-FOLD DOOR SYSTEM (XXXXX) SCALE: 6"=1'-0"



4 VERTICAL
BI-FOLD DOOR SYSTEM (XXXXX) SCALE: 6"=1'-0"



5 VERTICAL
BI-FOLD DOOR SYSTEM (XXXXX) SCALE: 6"=1'-0"

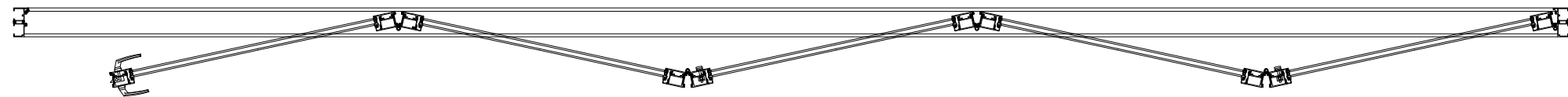
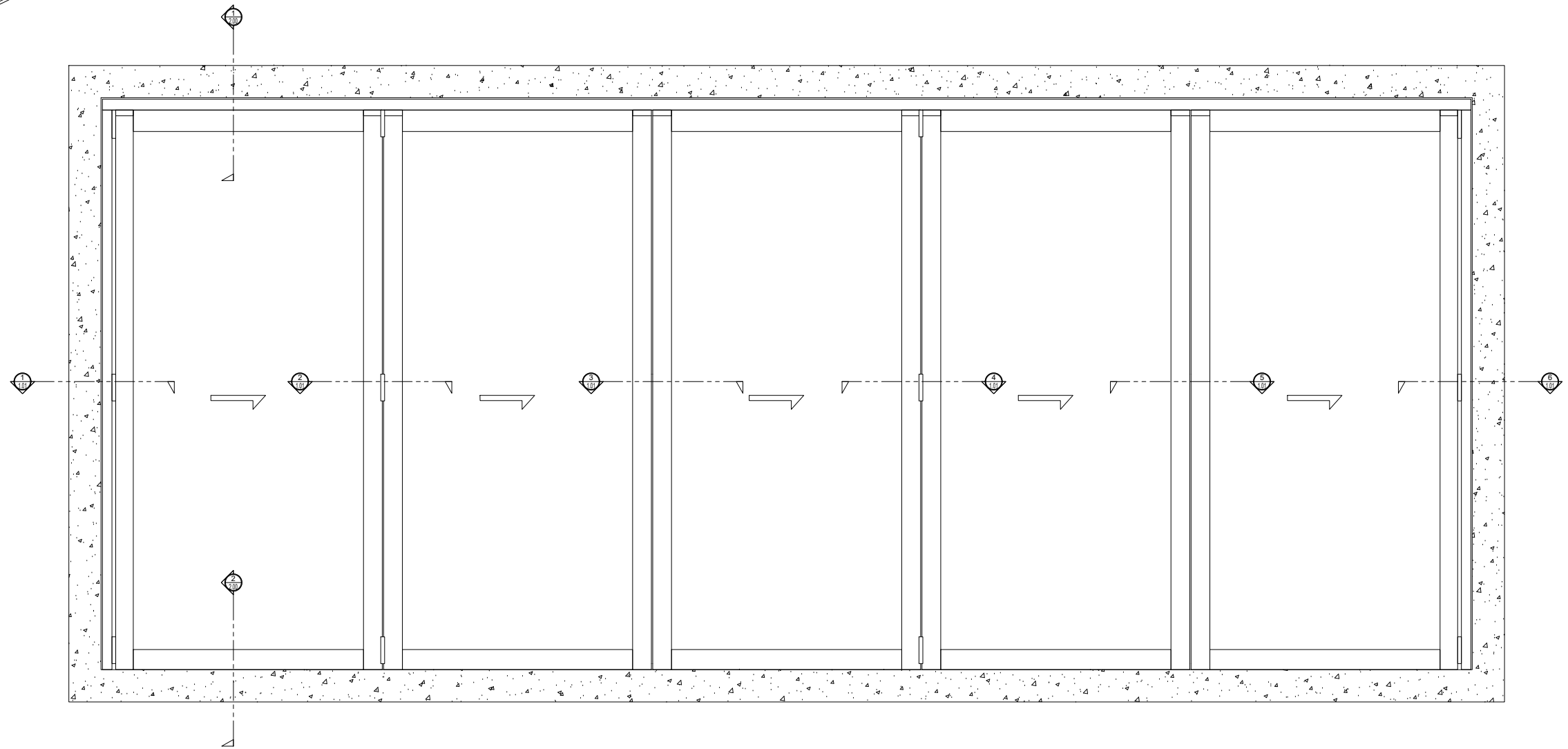
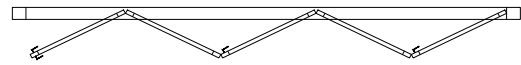


6 JAMB
BI-FOLD DOOR SYSTEM (XXXXX) SCALE: 6"=1'-0"

BI - FOLD

NO SILL

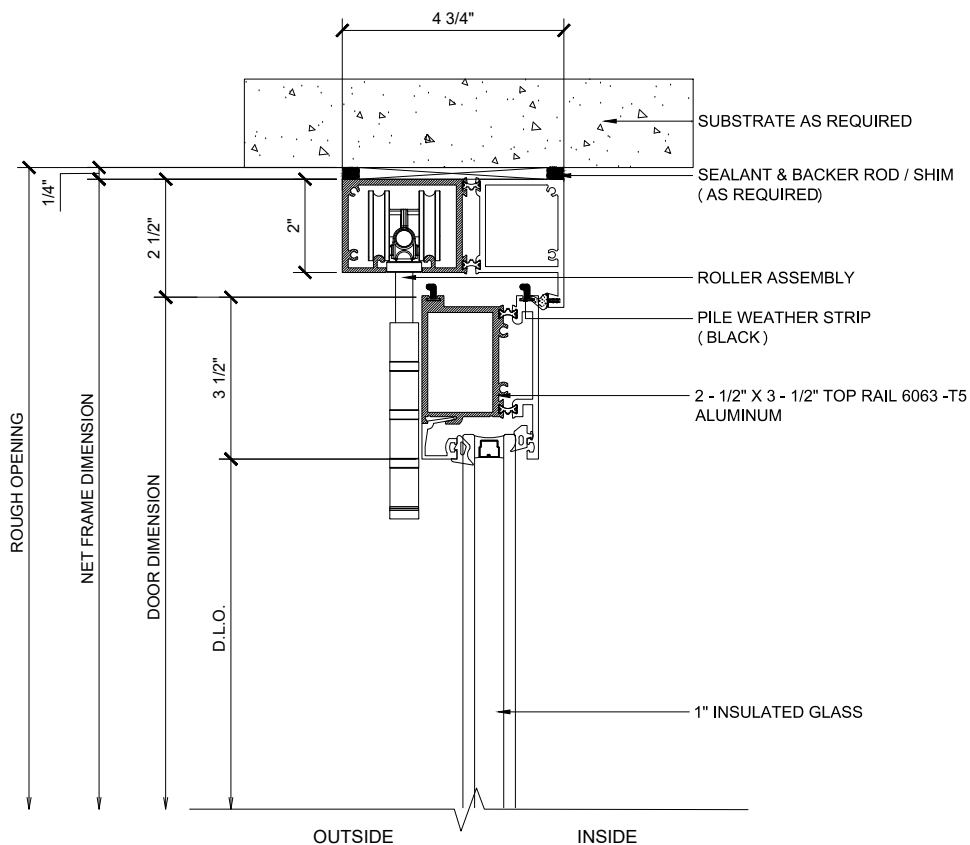
DOOR SYSTEM IN A SINGLE DIRECTION (RIGHT)
5R PANELS - STACKING OUT
X - DOORS



BI - FOLD

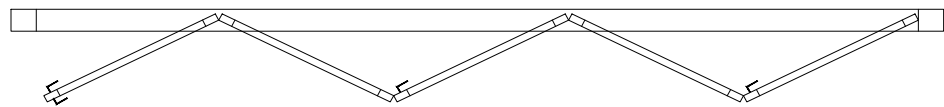
NO SILL

DOOR SYSTEM IN A SINGLE DIRECTION (RIGHT)
 5R PANELS - STACKING OUT
 X - DOORS



① HEAD (@DOOR)

BI-FOLD DOOR SYSTEM (XXXXX) SCALE: 6"=1'-0"



Ⓐ CONFIGURATION

BI-FOLD DOOR SYSTEM (XXXXX) SCALE: 6"=1'-0"

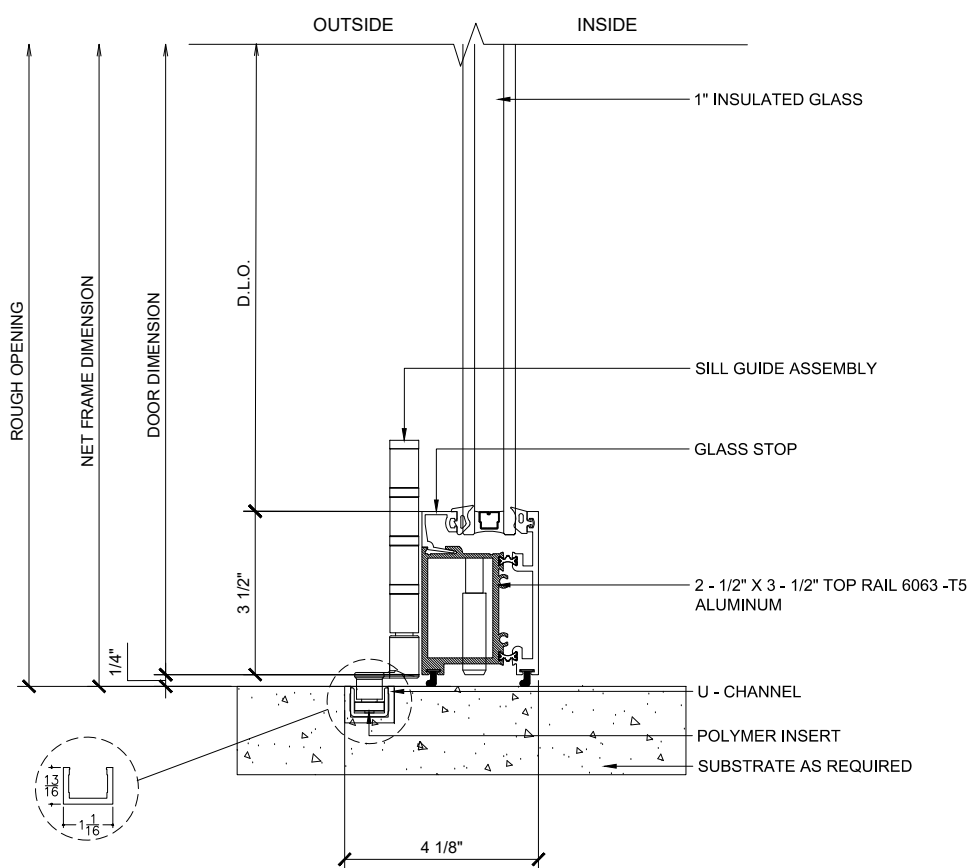
Finishes:

- Clear and Bronze anodized finishes Class 1
- Standard Mill Finish available for custom colors
- Kynar

Custom finishes available

NOTE: When using maximum panel width & height 42" x 120" panel may exceed maximum panel weight of 220 lbs, consult PRL for details.

NO WATERPROOF



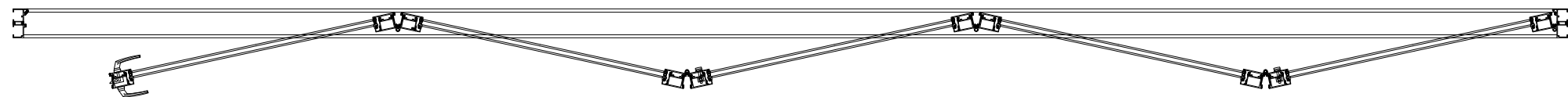
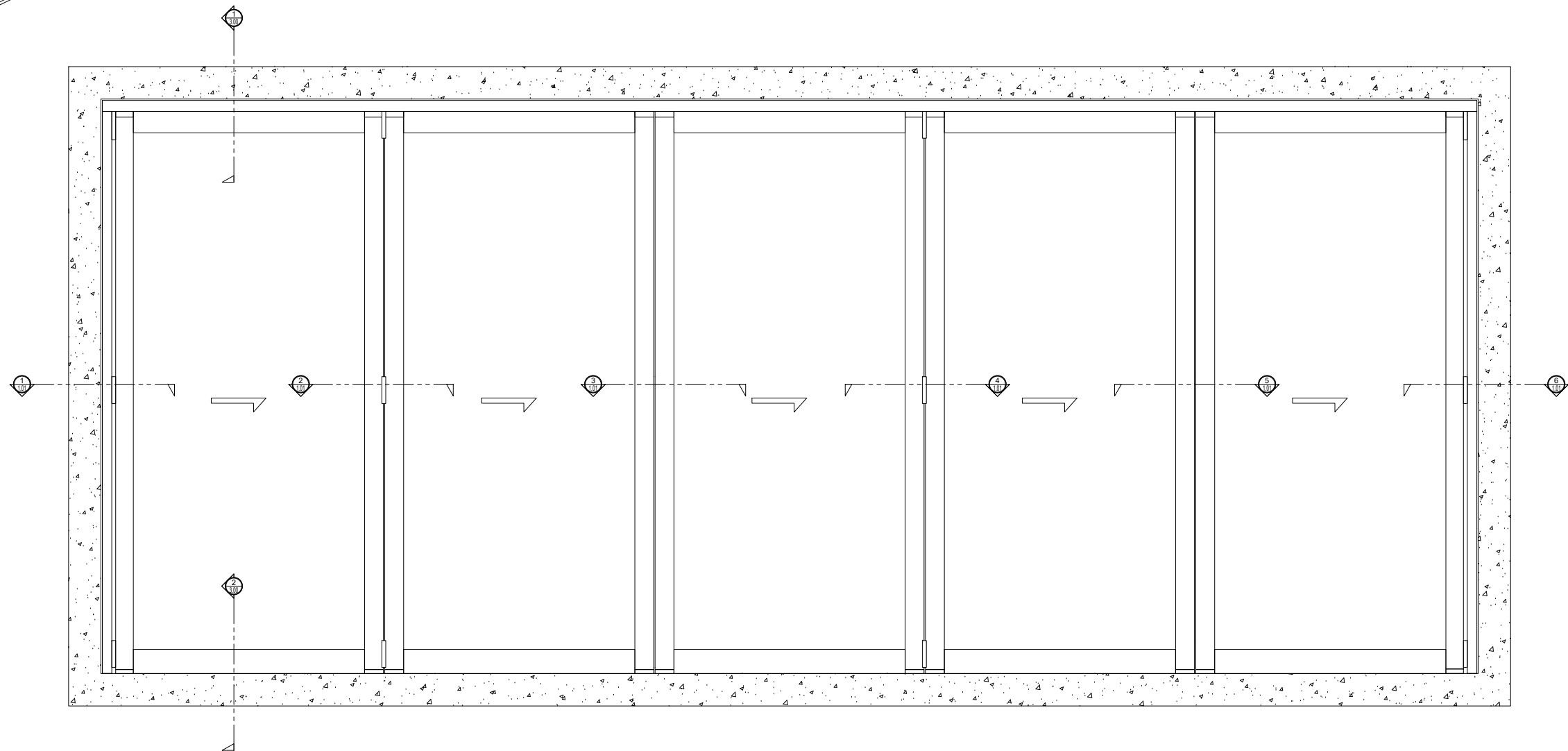
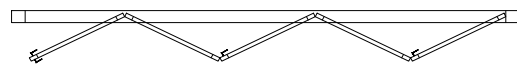
② NO SILL (@DOOR)

BI-FOLD DOOR SYSTEM (XXXX) SCALE: 6"=1'-0"

BI - FOLD

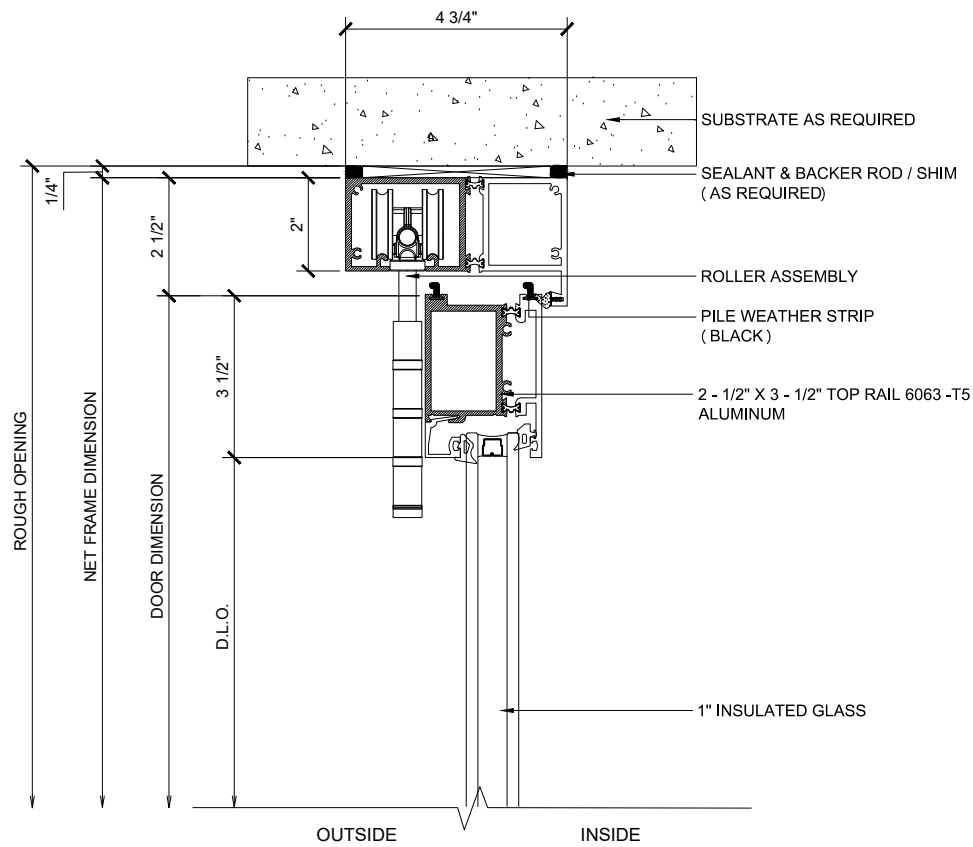
LOW SILL

DOOR SYSTEM IN A SINGLE DIRECTION (RIGHT)
5R PANELS - STACKING OUT
X - DOORS



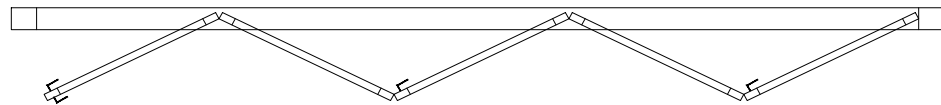
BI - FOLD LOW SILL

DOOR SYSTEM IN A SINGLE DIRECTION (RIGHT)
 5R PANELS - STACKING OUT
 X - DOORS



① HEAD (@DOOR)

BI-FOLD DOOR SYSTEM (XXXXX) SCALE: 6"=1'-0"



Ⓐ CONFIGURATION

BI-FOLD DOOR SYSTEM (XXXXX) SCALE: 6"=1'-0"

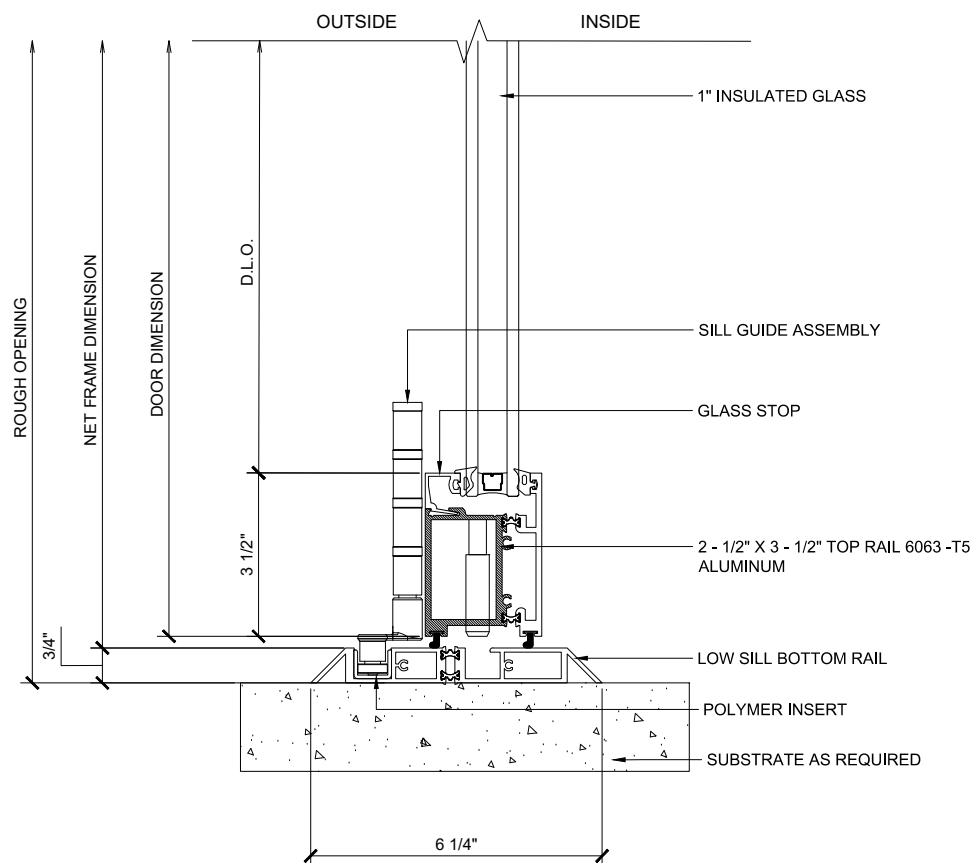
Finishes:

- Clear and Bronze anodized finishes Class 1
- Standard Mill Finish available for custom colors
- Kynar

Custom finishes available

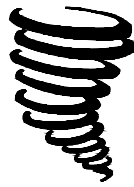
NOTE: When using maximum panel width & height 42" x 120" panel may exceed maximum panel weight of 220 lbs, consult PRL for details.

NO WATERPROOF



② LOW SILL (@DOOR)

BI-FOLD DOOR SYSTEM (XXXX) SCALE: 6"=1'-0"

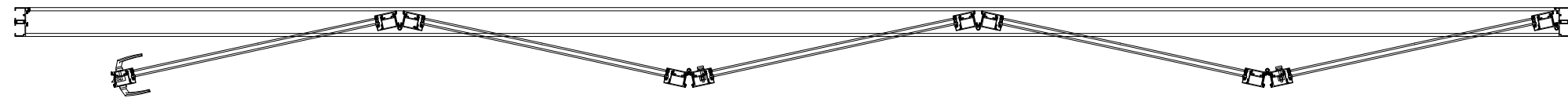
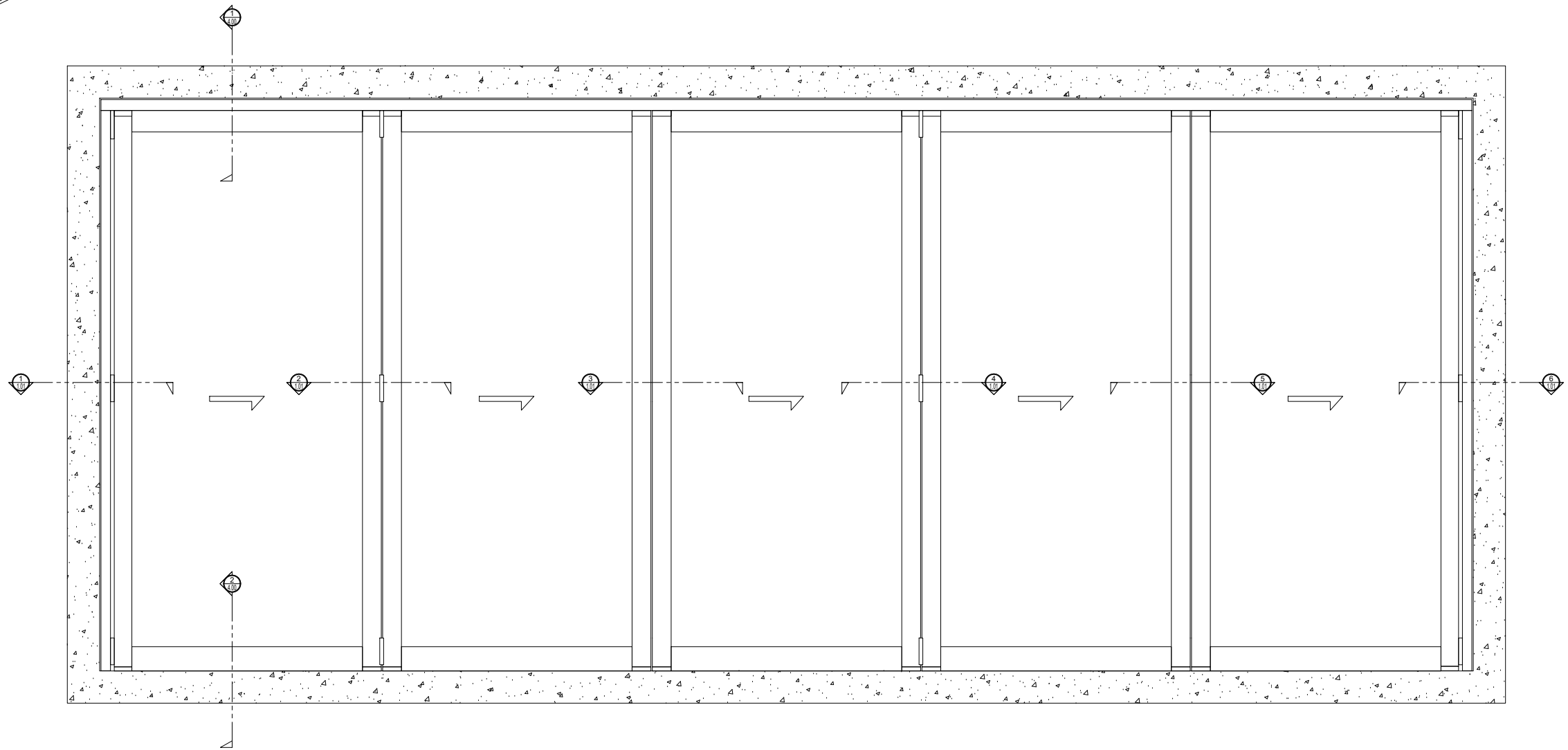
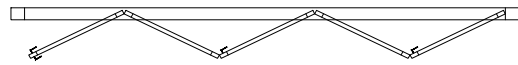


ADDRESS: 13644 NELSON AVE. CITY OF INDUSTRY, CA.
TEL: (877) 775-25856
FAX No.: (626) 968-95256
WEBSITE: www.prl-glass.com www.prlaluminum.com

BI - FOLD

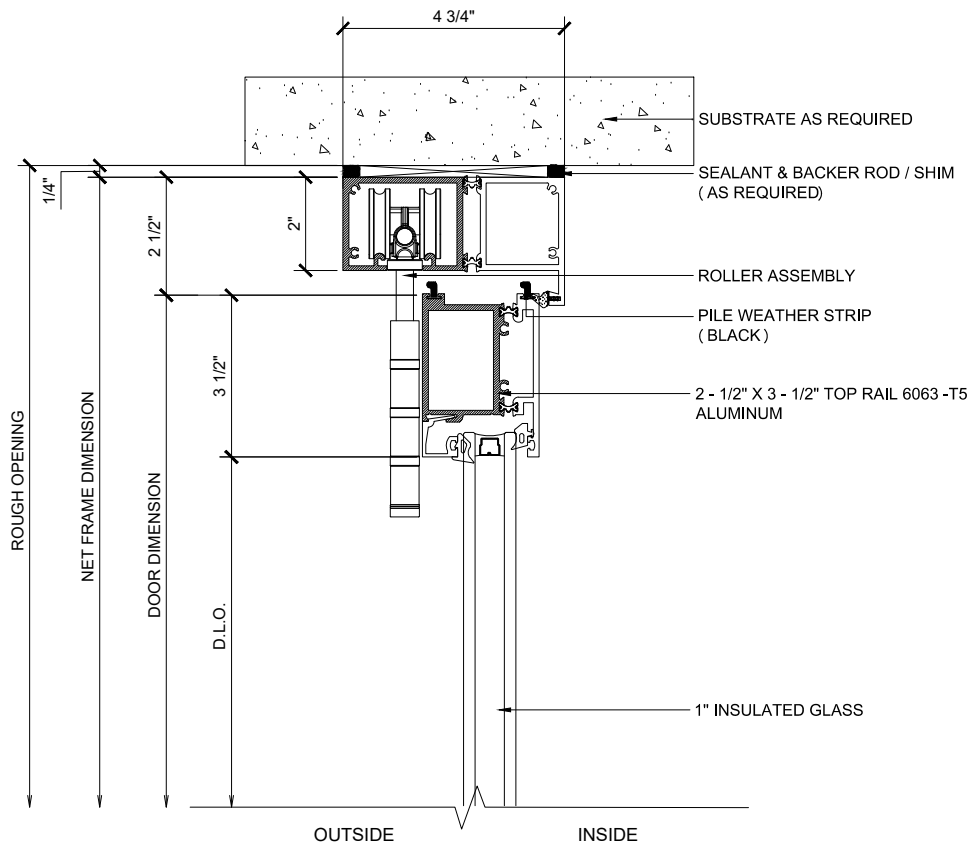
ADA SILL

DOOR SYSTEM IN A SINGLE DIRECTION (RIGHT)
5R PANELS - STACKING OUT
X - DOORS



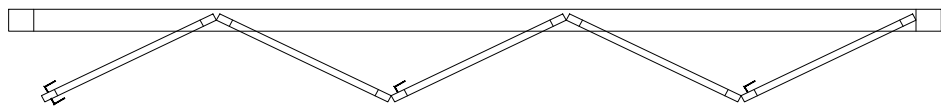
BI - FOLD ADA SILL

DOOR SYSTEM IN A SINGLE DIRECTION (RIGHT)
 5R PANELS - STACKING OUT
 X - DOORS



① HEAD (@DOOR)

BI-FOLD DOOR SYSTEM (XXXXX) SCALE: 6"=1'-0"



Ⓐ CONFIGURATION

BI-FOLD DOOR SYSTEM (XXXXX) SCALE: 6"=1'-0"

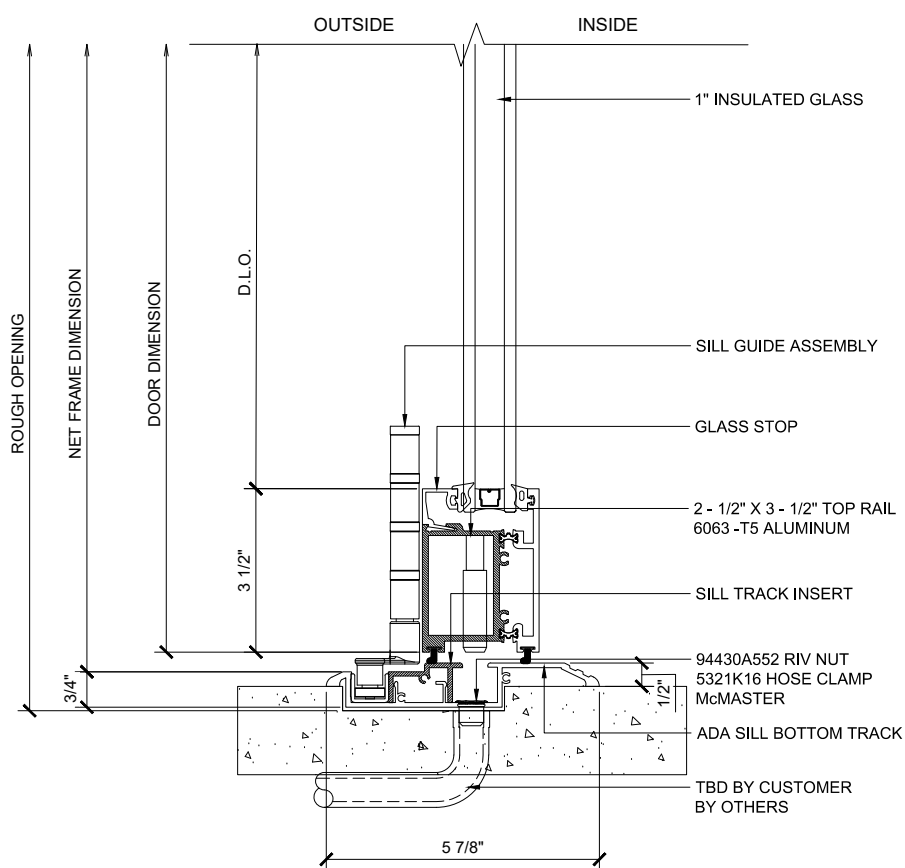
Finishes:

- Clear and Bronze anodized finishes Class 1
- Standard Mill Finish available for custom colors
- Kynar

Custom finishes available

NOTE: When using maximum panel width & height 42" x 120" panel may exceed maximum panel weight of 220 lbs, consult PRL for details.

NO WATERPROOF



② ADA SILL (@DOOR)

BI-FOLD DOOR SYSTEM (XXXX) SCALE: 6"=1'-0"