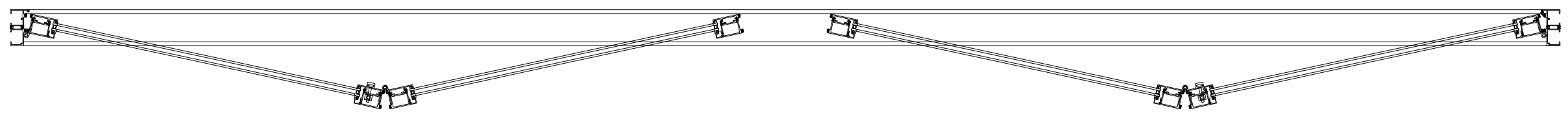
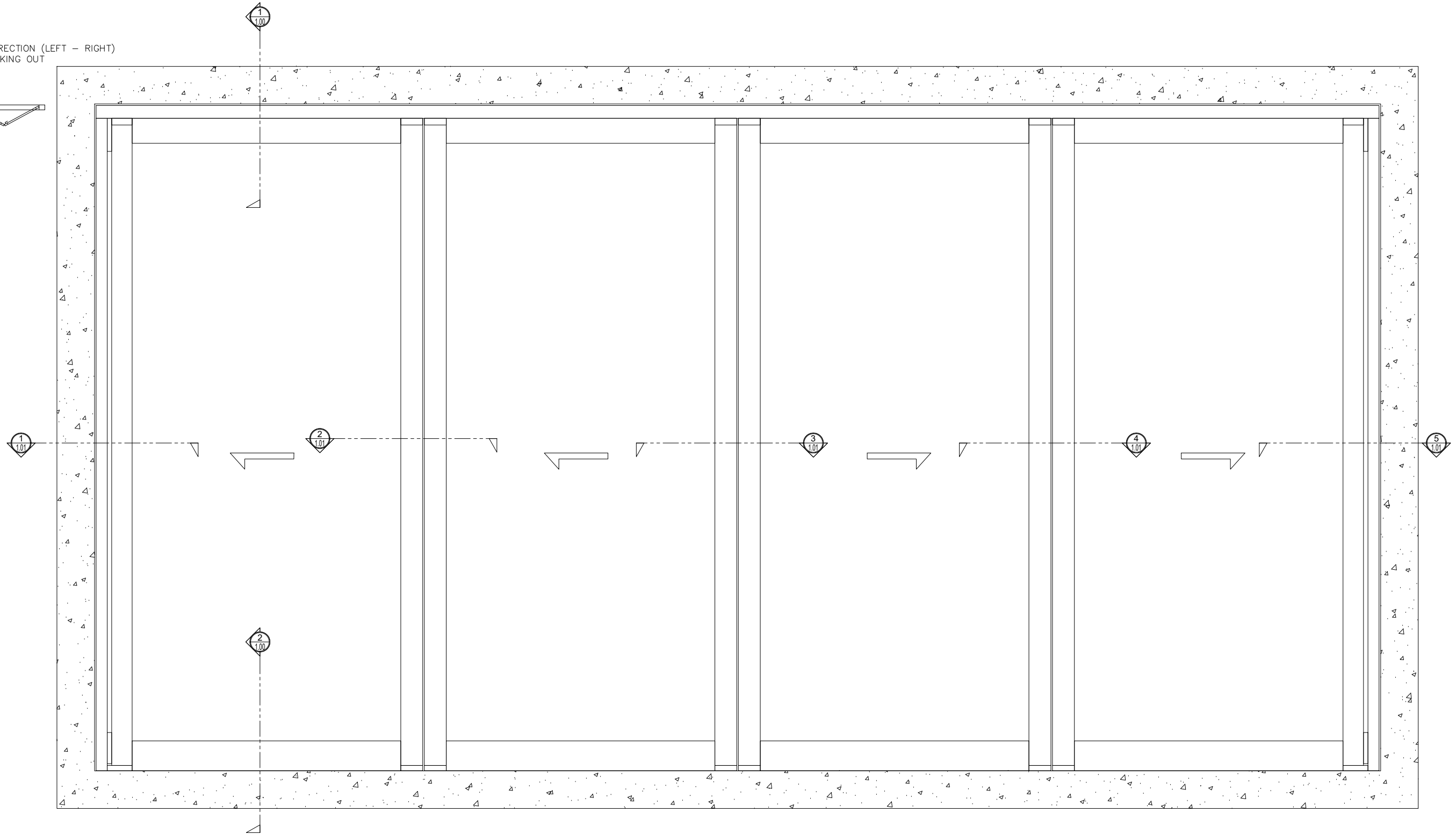
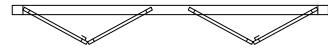


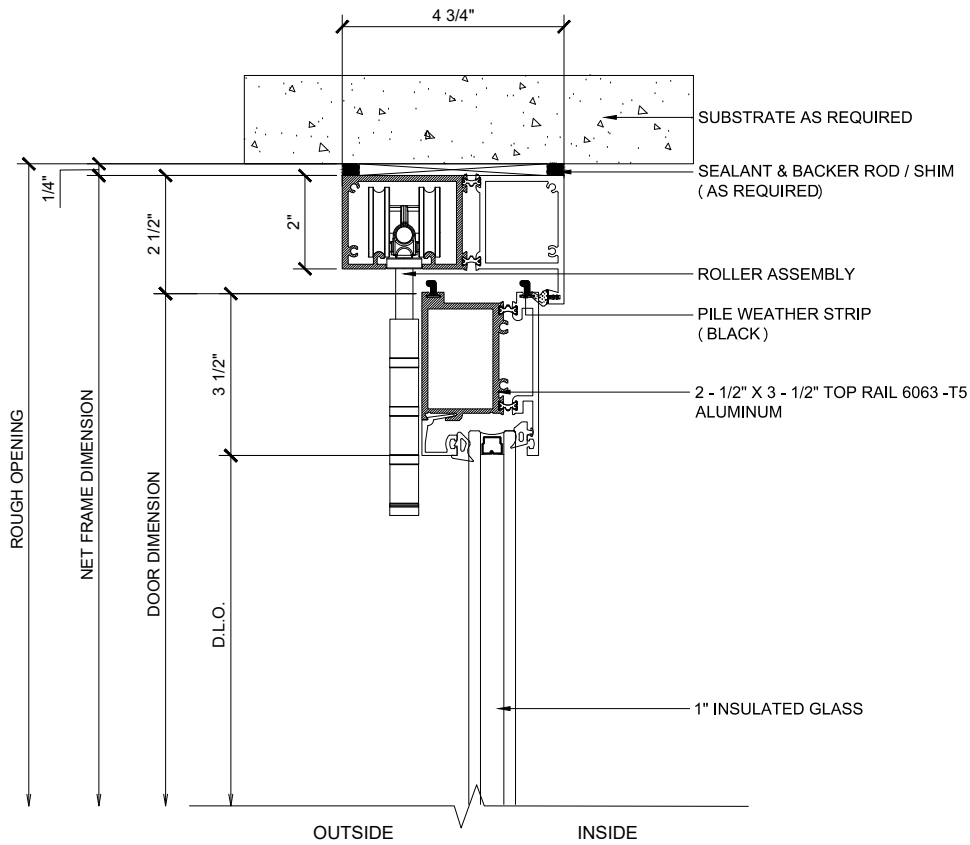
## BI - FOLD HIGH SILL

DOOR SYSTEM IN A BI-DIRECTION (LEFT - RIGHT)  
2L-2R PANELS - STACKING OUT  
X - DOORS



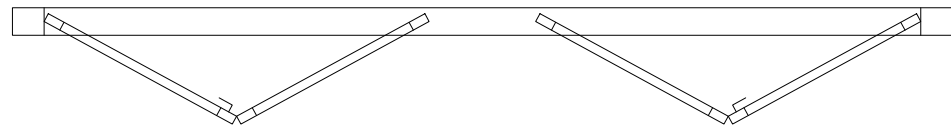
## BI - FOLD HIGH SILL

DOOR SYSTEM IN A BI-DIRECTION (LEFT - RIGHT)  
 2L-2R PANELS - STACKING OUT  
 X - DOORS



### ① HEAD (@DOOR)

BI-FOLD DOOR SYSTEM (XX-XX) SCALE: 6"=1'-0"



### A CONFIGURATION

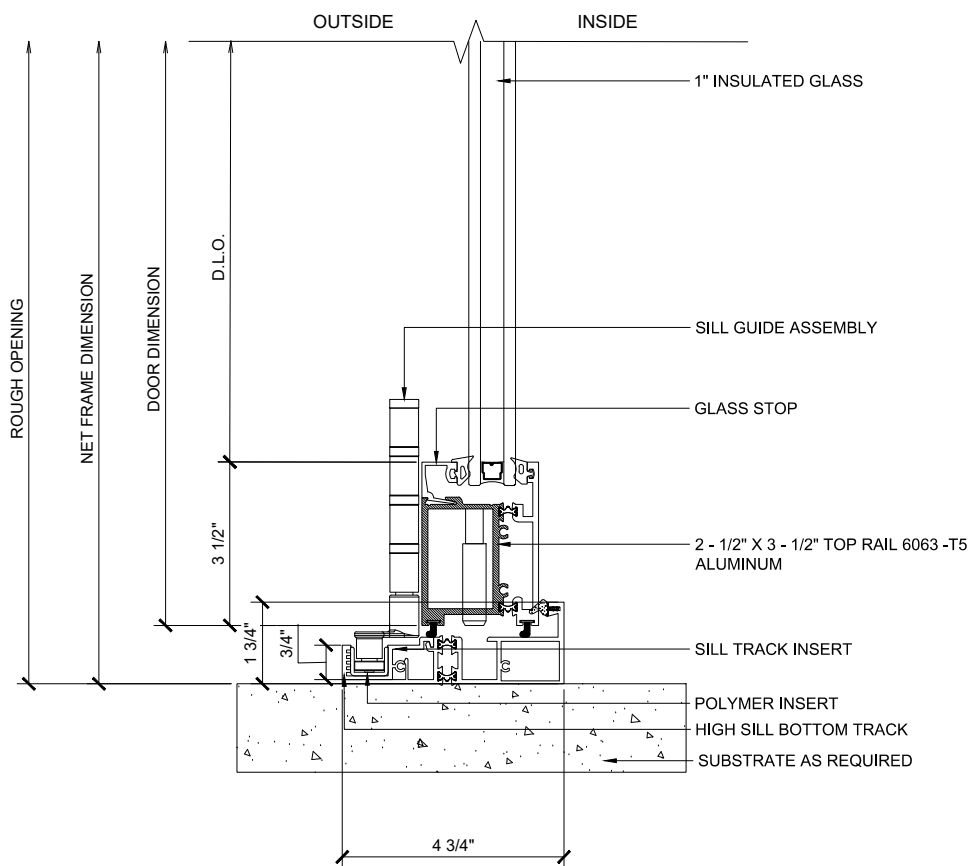
BI-FOLD DOOR SYSTEM (XX-XX) SCALE: 6"=1'-0"

#### Finishes:

- Clear and Bronze anodized finishes Class 1
- Standard Mill Finish available for custom colors
- Kynar

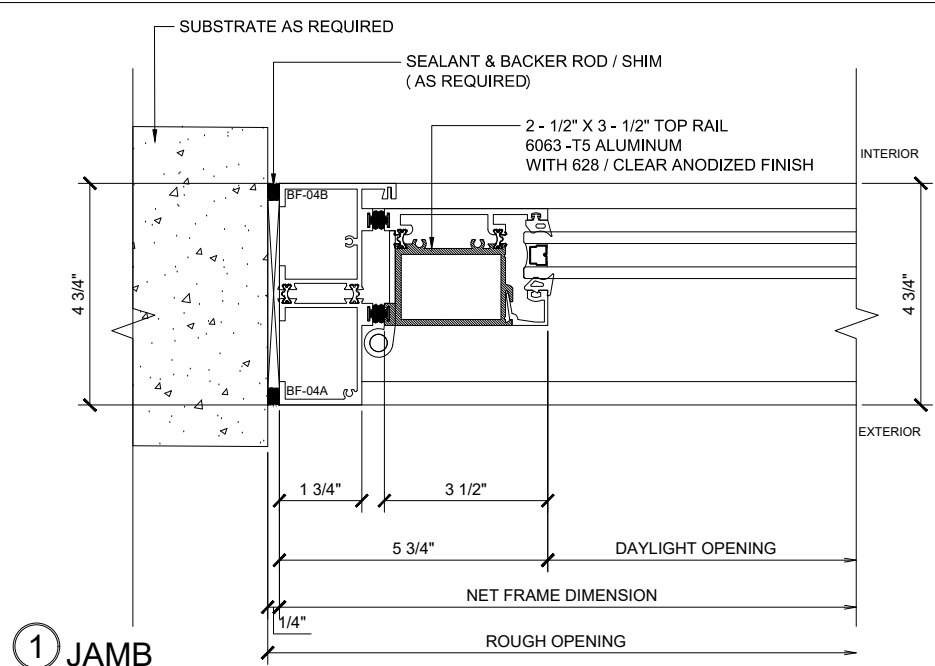
Custom finishes available

NOTE: When using maximum panel width & height 42" x 120" panel may exceed maximum panel weight of 220 lbs, consult PRL for details.



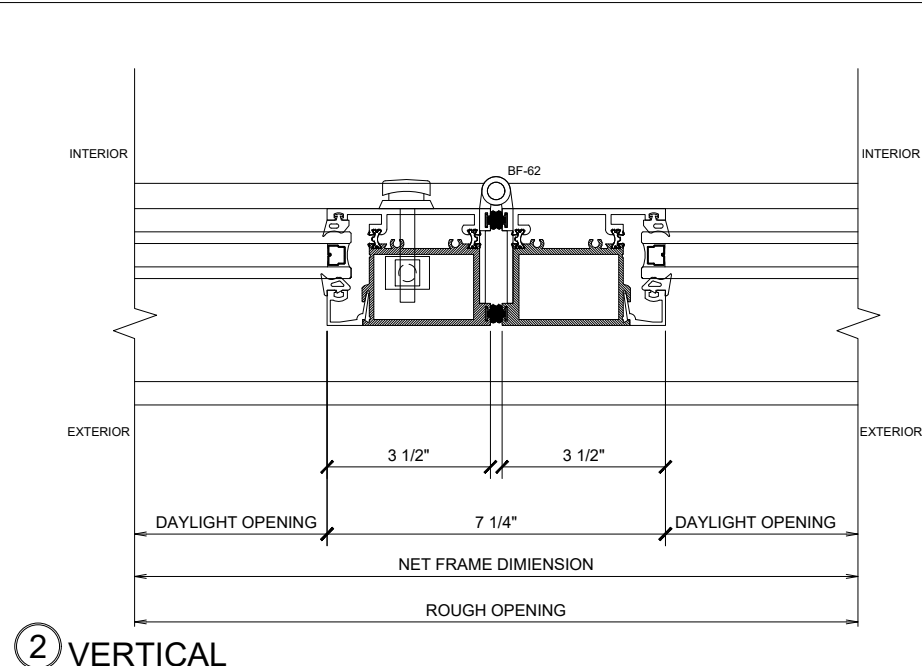
### ② HIGH SILL (@DOOR)

BI-FOLD DOOR SYSTEM (XX-XX) SCALE: 6"=1'-0"



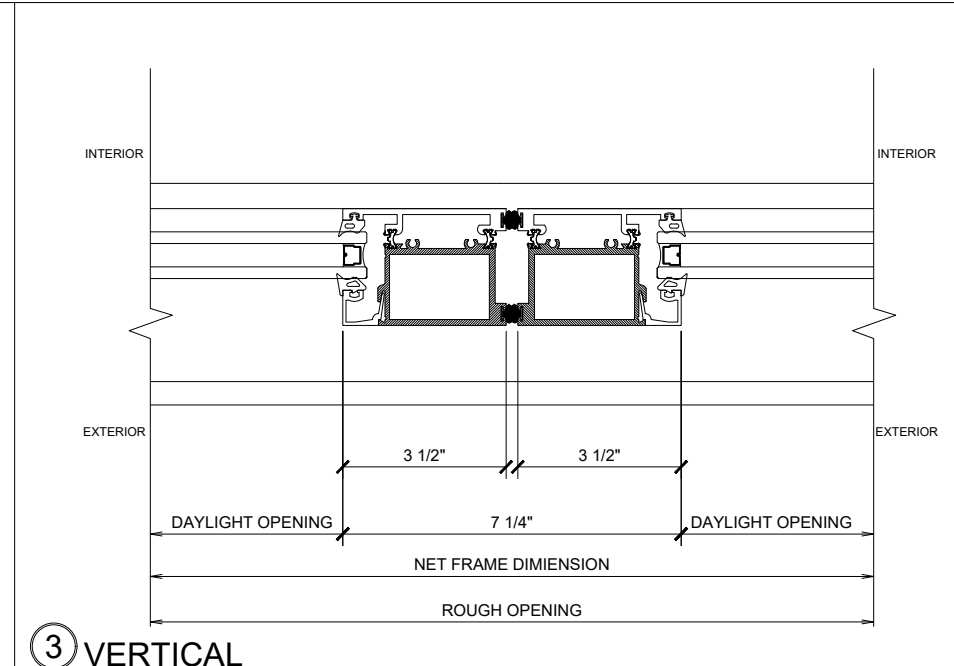
① JAMB

BI-FOLD DOOR SYSTEM (XX-XX) SCALE: 6"=1'-0"



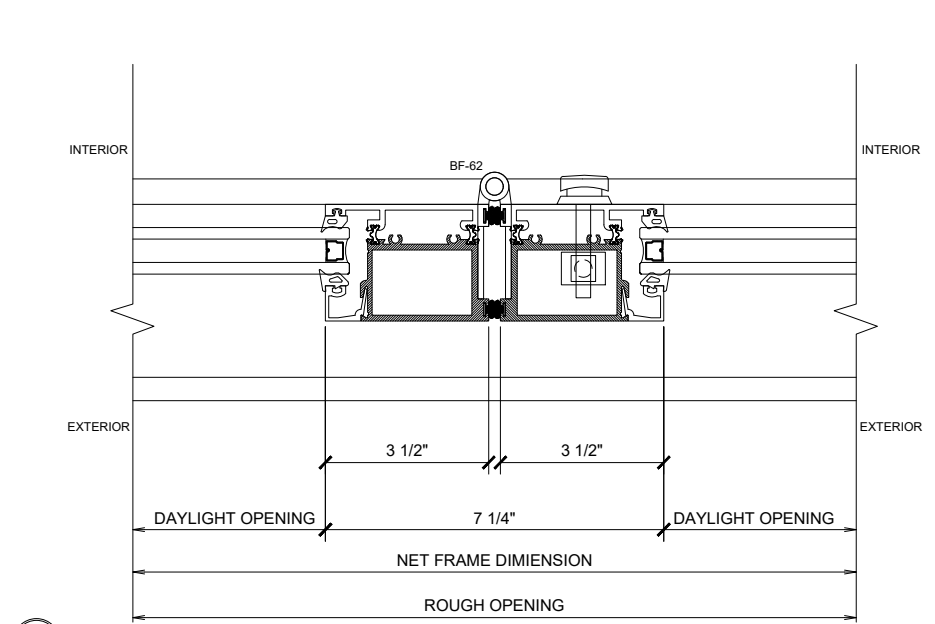
② VERTICAL

BI-FOLD DOOR SYSTEM (XX-XX) SCALE: 6"=1'-0"



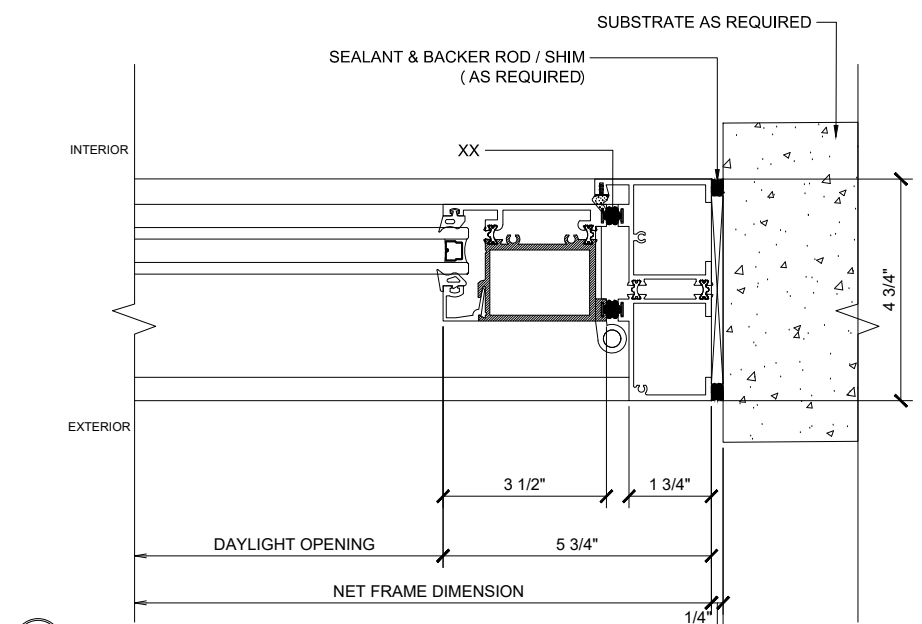
③ VERTICAL

BI-FOLD DOOR SYSTEM (XX-XX) SCALE: 6"=1'-0"



④ VERTICAL

BI-FOLD DOOR SYSTEM (XX-XX) SCALE: 6"=1'-0"

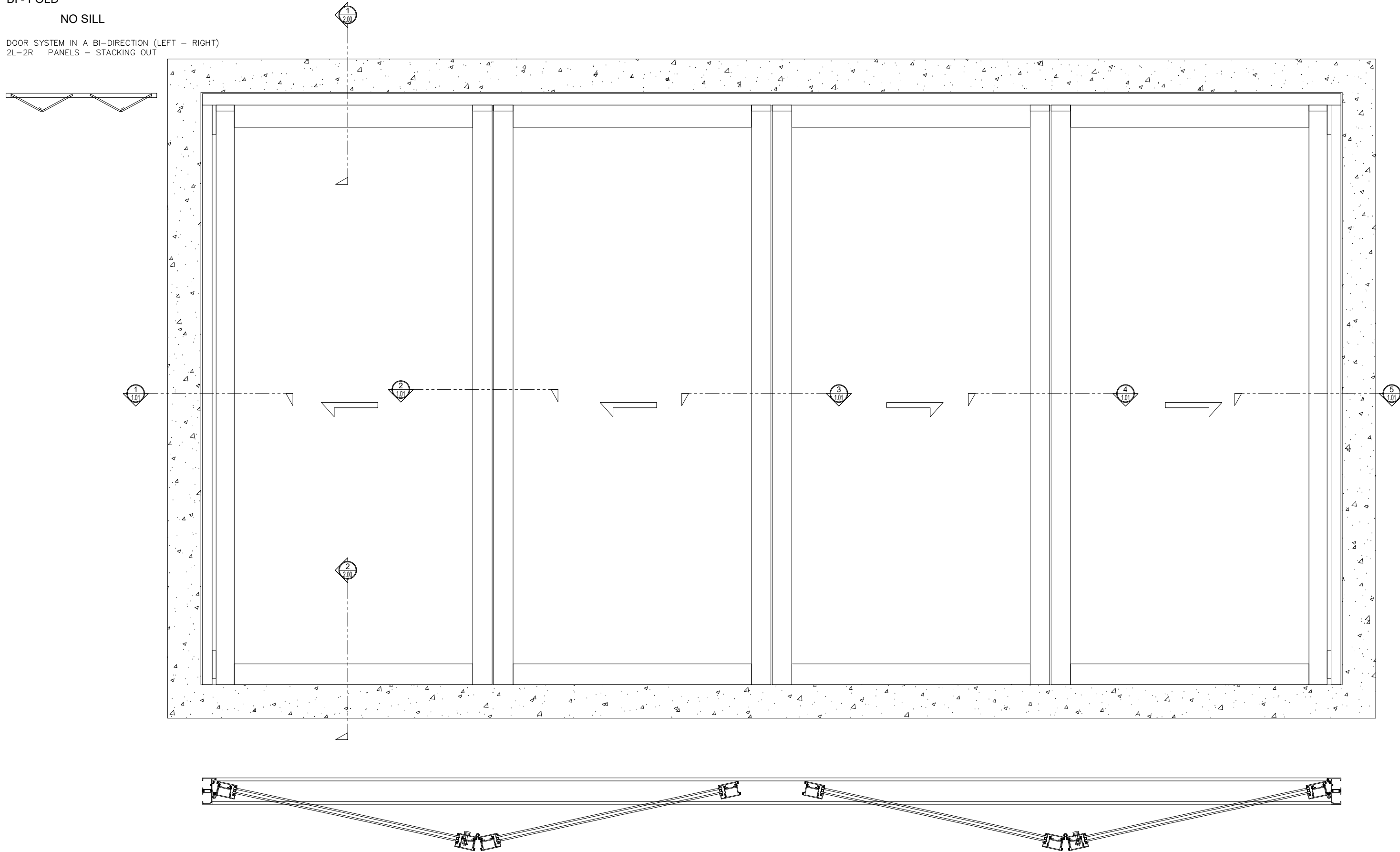


⑤ JAMB

BI-FOLD DOOR SYSTEM (XX-XX) SCALE: 6"=1'-0"

## BI - FOLD NO SILL

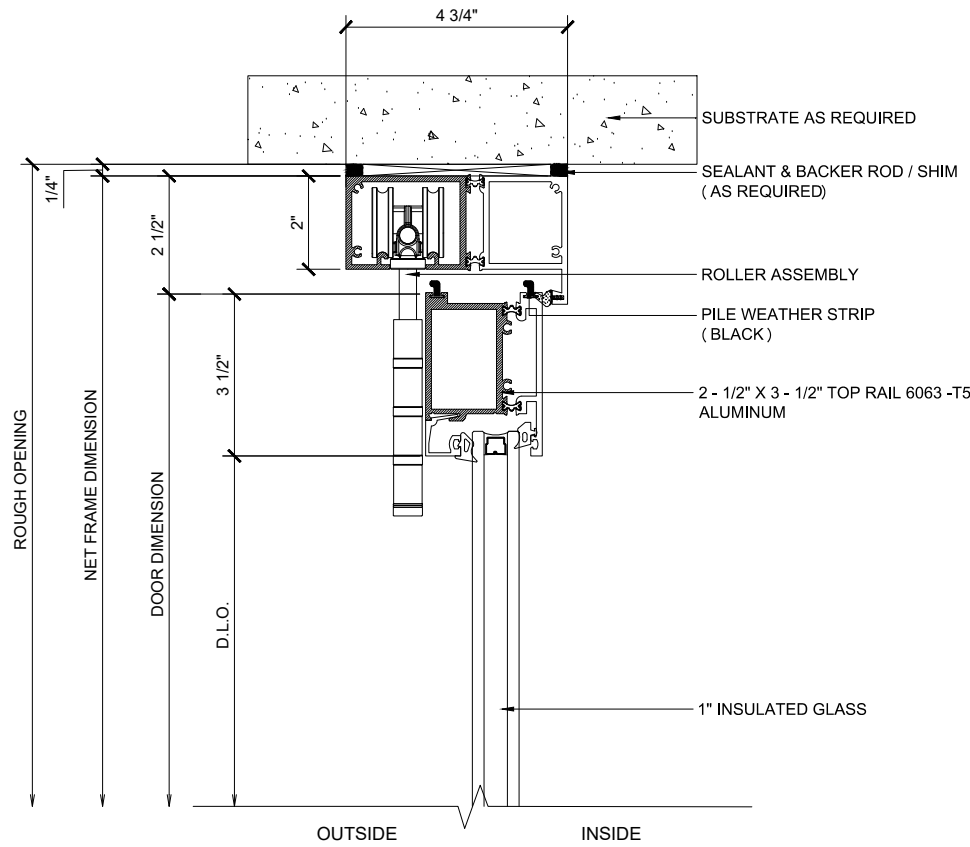
DOOR SYSTEM IN A BI-DIRECTION (LEFT - RIGHT)  
2L-2R PANELS - STACKING OUT



## BI - FOLD

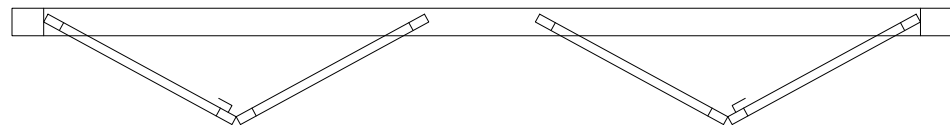
### NO SILL

DOOR SYSTEM IN A BI-DIRECTION (LEFT - RIGHT)  
 2L-2R PANELS - STACKING OUT  
 X - DOORS



### ① HEAD (@DOOR)

BI-FOLD DOOR SYSTEM (XX-XX) SCALE: 6"=1'-0"



### Ⓐ CONFIGURATION

BI-FOLD DOOR SYSTEM (XX-XX) SCALE: 6"=1'-0"

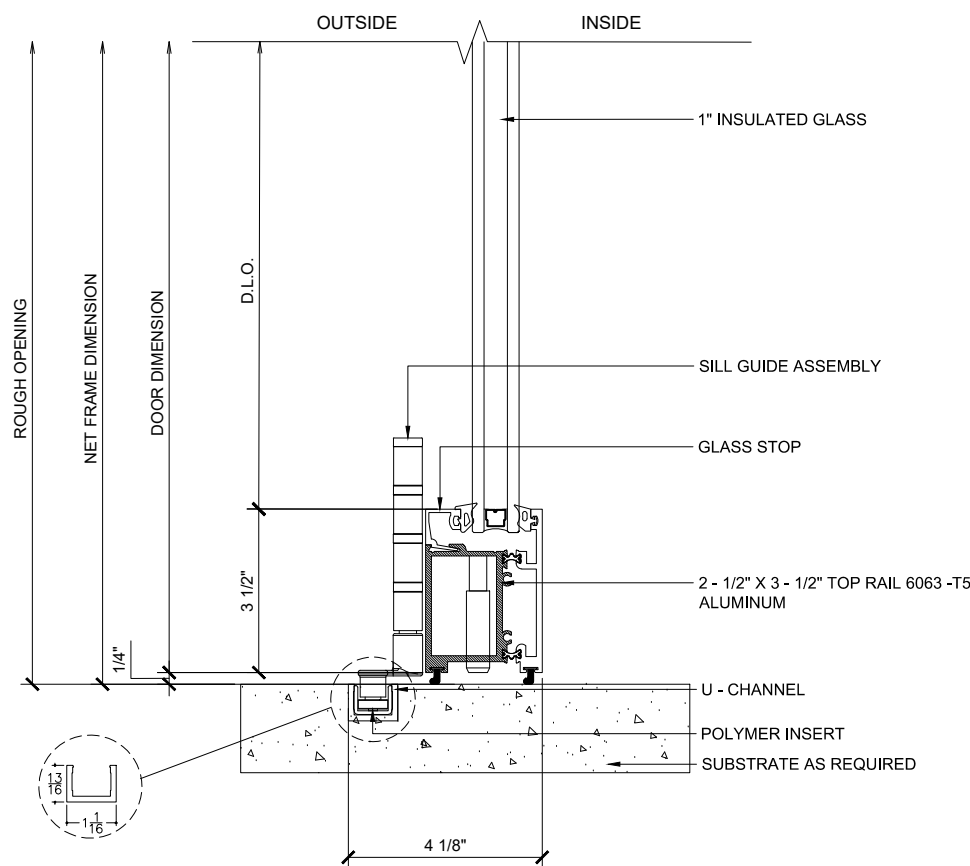
#### Finishes:

- Clear and Bronze anodized finishes Class 1
- Standard Mill Finish available for custom colors
- Kynar

Custom finishes available

NOTE: When using maximum panel width & height 42" x 120" panel may exceed maximum panel weight of 220 lbs, consult PRL for details.

NO WATERPROOF

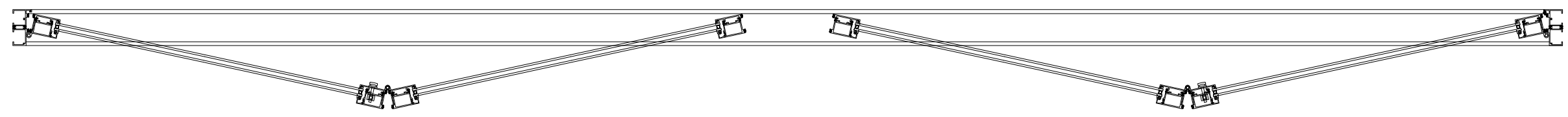
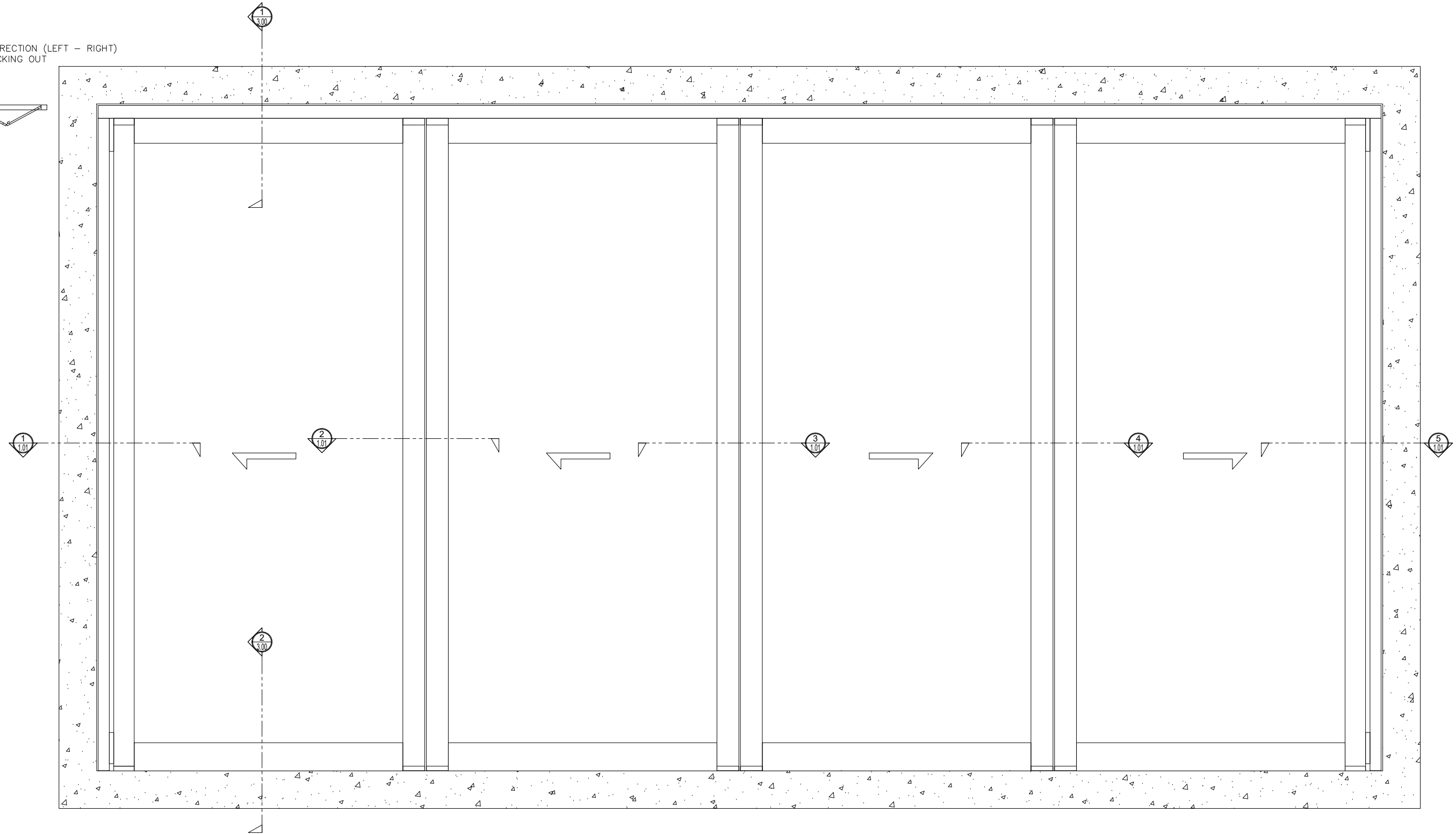
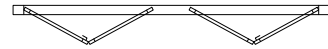


### ② NO SILL (@DOOR)

BI-FOLD DOOR SYSTEM (XX-XX) SCALE: 6"=1'-0"

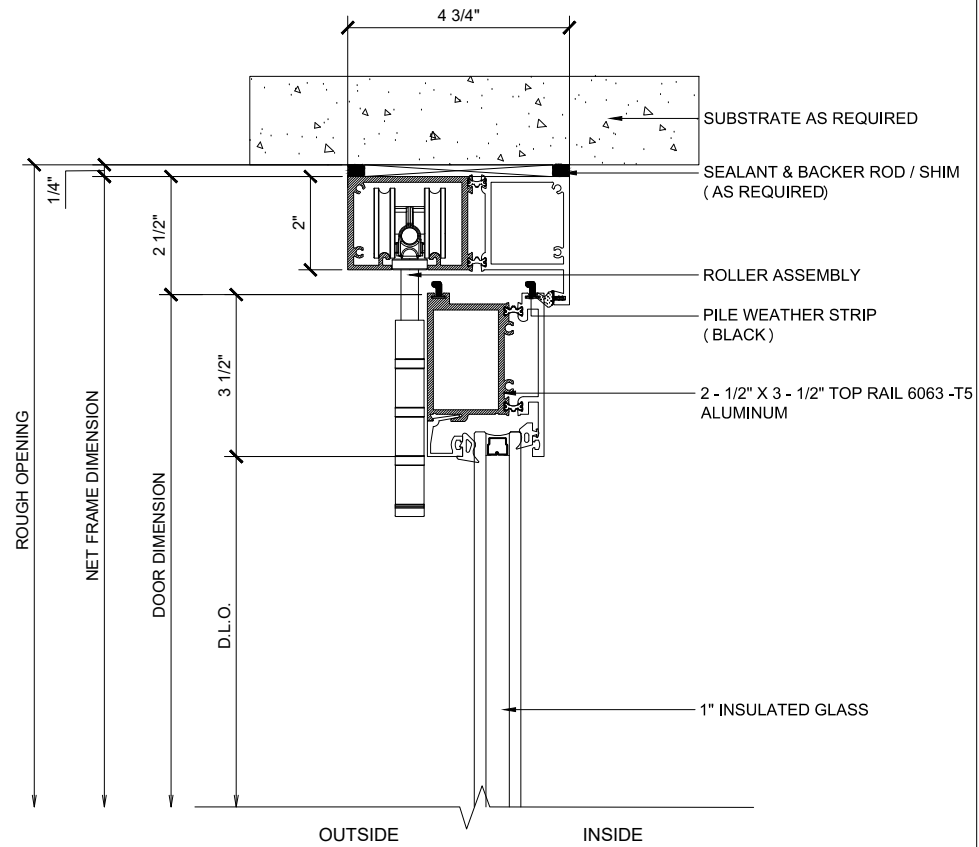
## BI - FOLD LOW SILL

DOOR SYSTEM IN A BI-DIRECTION (LEFT - RIGHT)  
2L-2R PANELS - STACKING OUT  
X - DOORS



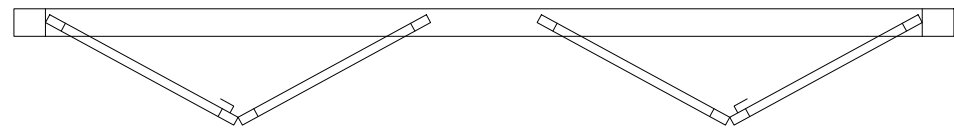
## BI - FOLD LOW SILL

DOOR SYSTEM IN A BI-DIRECTION (LEFT - RIGHT)  
 2L-2R PANELS - STACKING OUT  
 X - DOORS



### ① HEAD (@DOOR)

BI-FOLD DOOR SYSTEM (XX-XX) SCALE: 6"=1'-0"



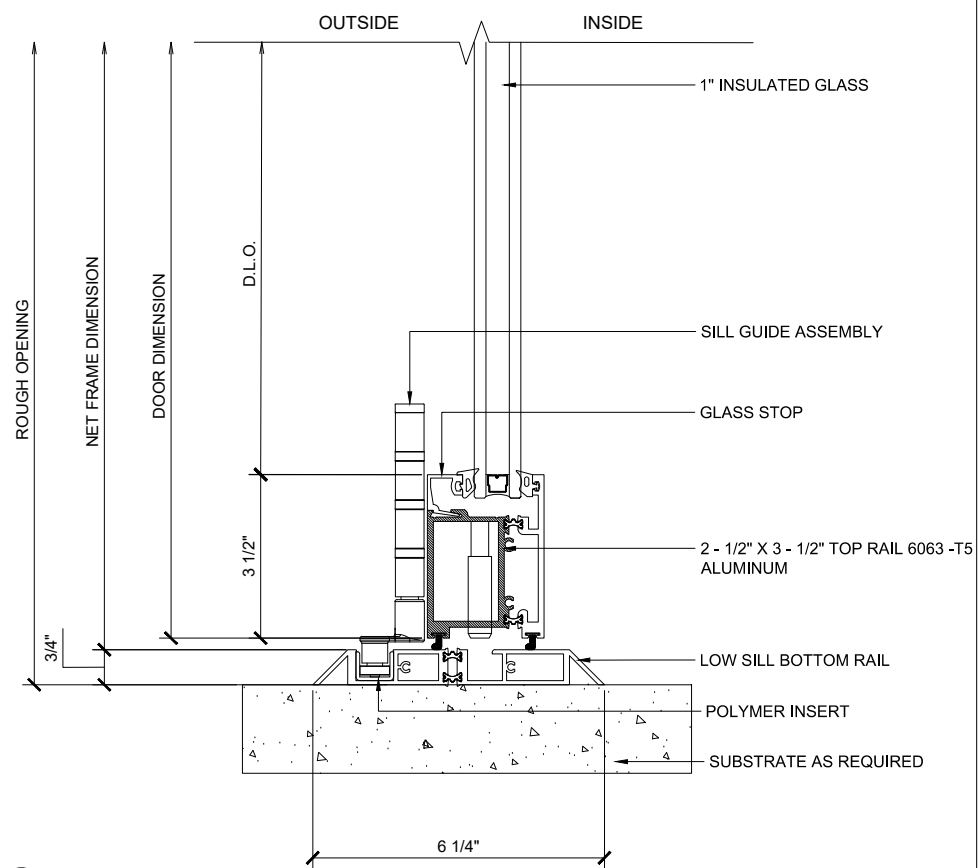
### Ⓐ CONFIGURATION

BI-FOLD DOOR SYSTEM (XX-XX) SCALE: 6"=1'-0"

#### Finishes:

- Clear and Bronze anodized finishes Class 1
- Standard Mill Finish available for custom colors
- Kynar

Custom finishes available



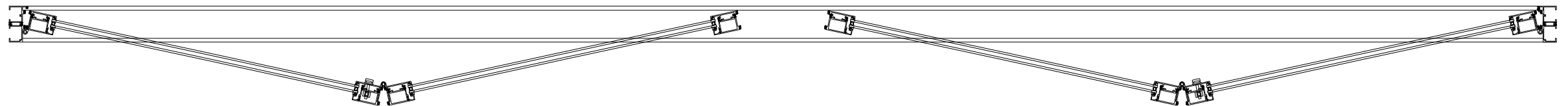
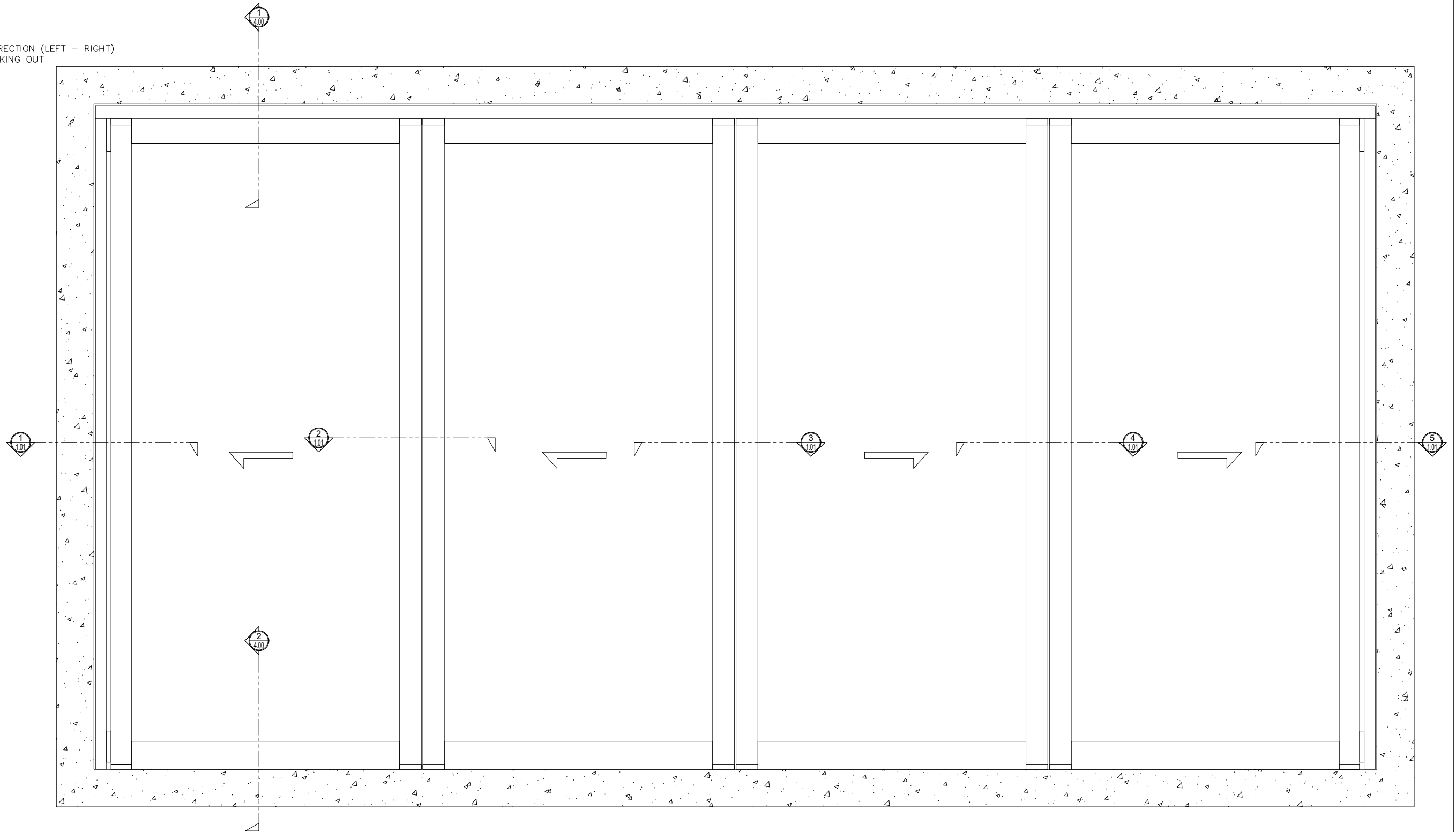
### ② LOW SILL (@DOOR)

BI-FOLD DOOR SYSTEM (XX-XX) SCALE: 6"=1'-0"

## BI - FOLD

### ADA SILL

DOOR SYSTEM IN A BI-DIRECTION (LEFT - RIGHT)  
2L-2R PANELS - STACKING OUT  
X - DOORS

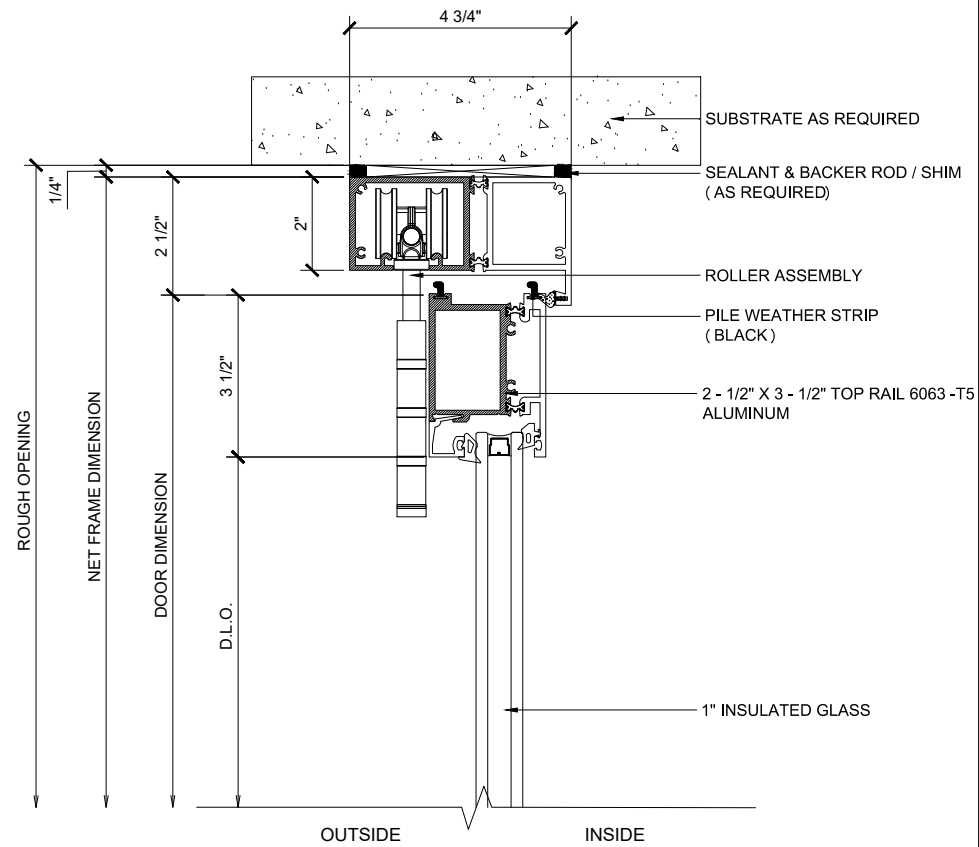




## BI - FOLD

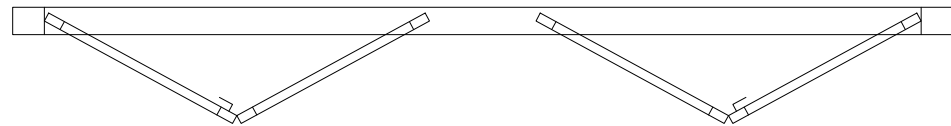
### ADA SILL

DOOR SYSTEM IN A BI-DIRECTION (LEFT - RIGHT)  
 2L-2R PANELS - STACKING OUT  
 X - DOORS



## ① HEAD (@DOOR)

BI-FOLD DOOR SYSTEM (XX-XX) SCALE: 6"=1'-0"



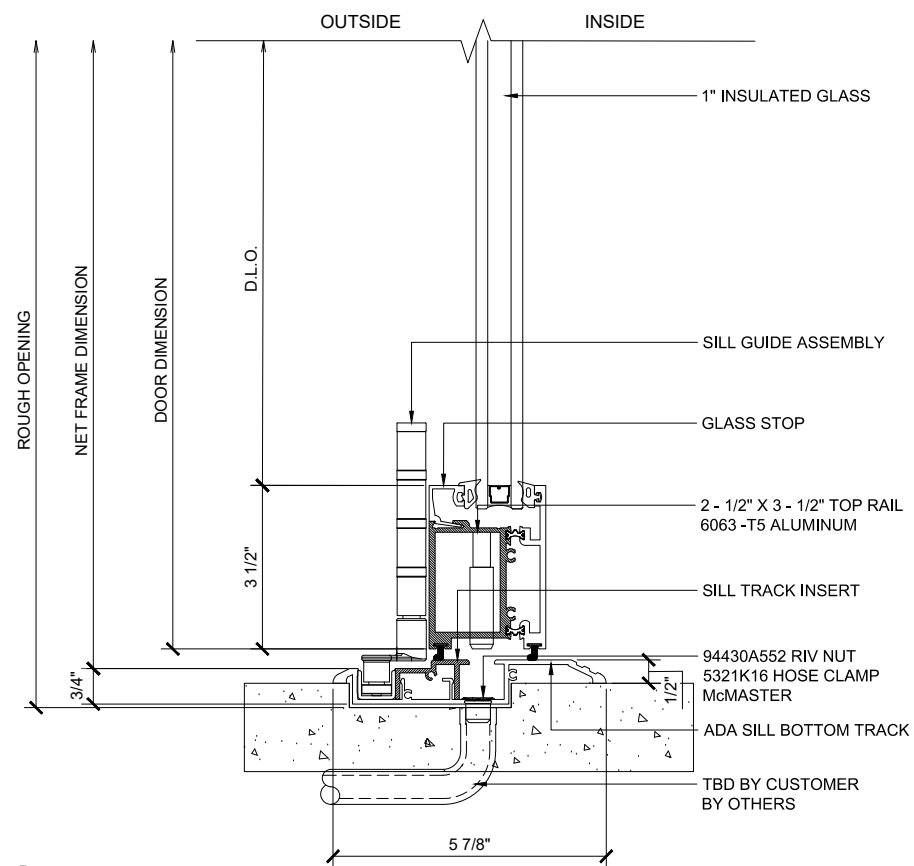
## Ⓐ CONFIGURATION

BI-FOLD DOOR SYSTEM (XX-XX) SCALE: 6"=1'-0"

### Finishes:

- Clear and Bronze anodized finishes Class 1
- Standard Mill Finish available for custom colors
- Kynar

Custom finishes available



## ② ADA SILL (@DOOR)

BI-FOLD DOOR SYSTEM (XX-XX) SCALE: 6"=1'-0"