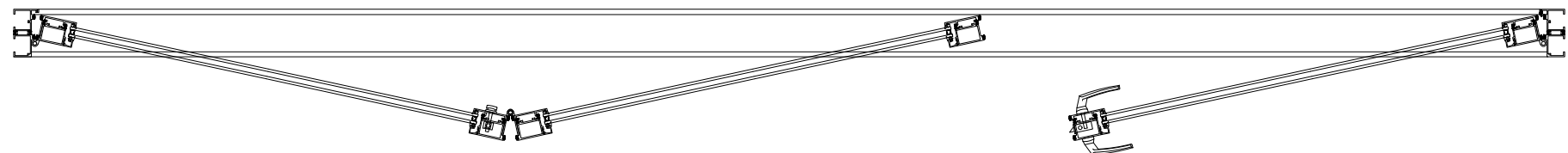
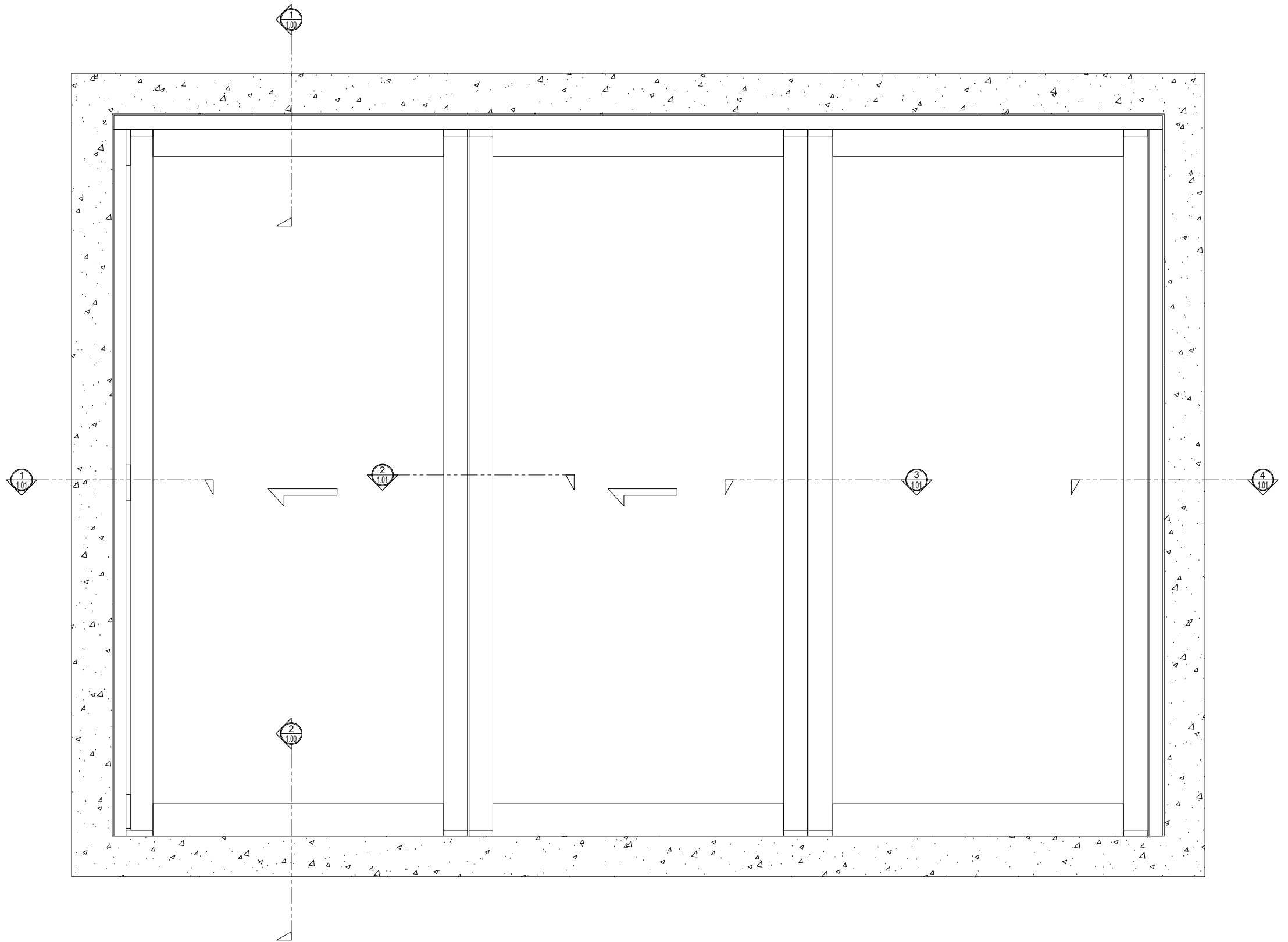
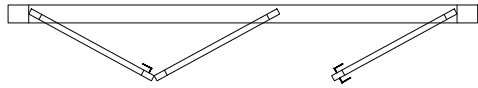


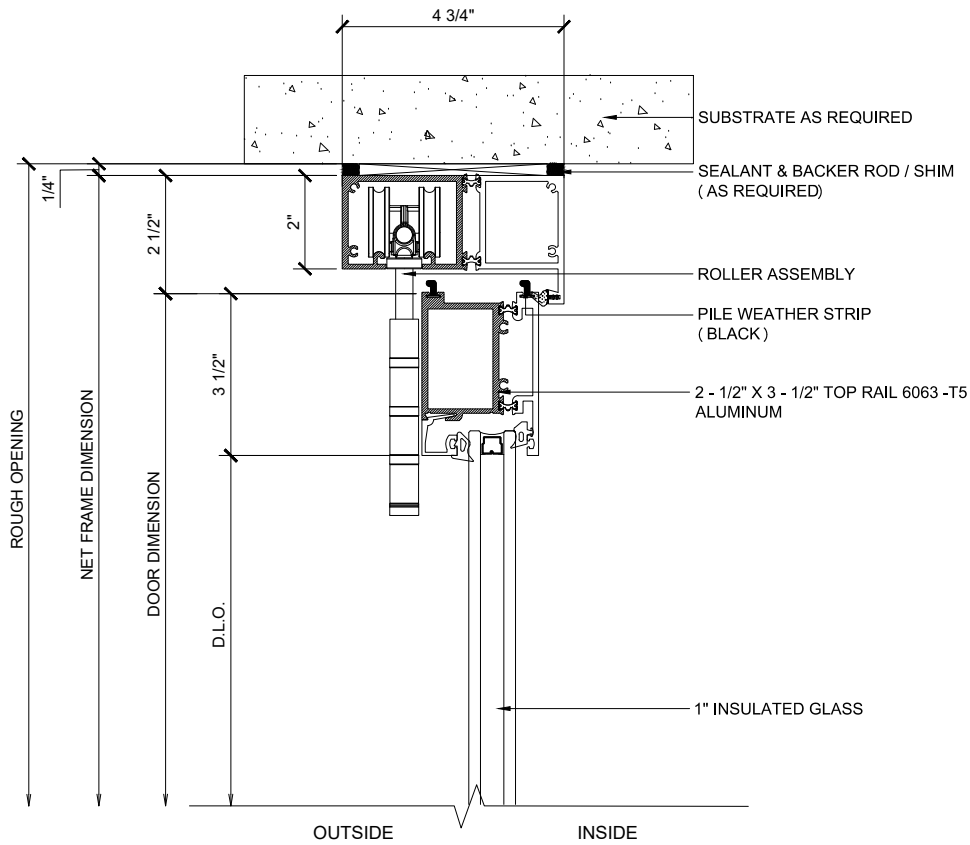
BI - FOLD HIGH SILL

DOOR SYSTEM IN A BI-DIRECTION (LEFT - RIGHT)
2L-1R PANELS - STACKING OUT
X - DOORS



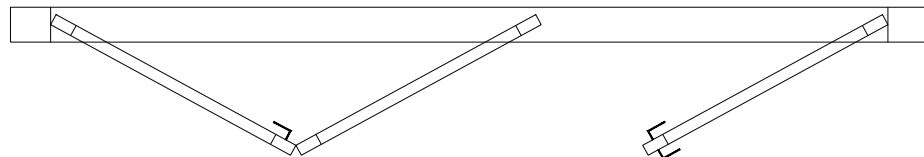
BI - FOLD HIGH SILL

DOOR SYSTEM IN A BI-DIRECTION (LEFT - RIGHT)
 1L-2R PANELS - STACKING OUT
 X - DOORS



① HEAD (@DOOR)

BI-FOLD DOOR SYSTEM (XX-X) SCALE: 6"=1'-0"



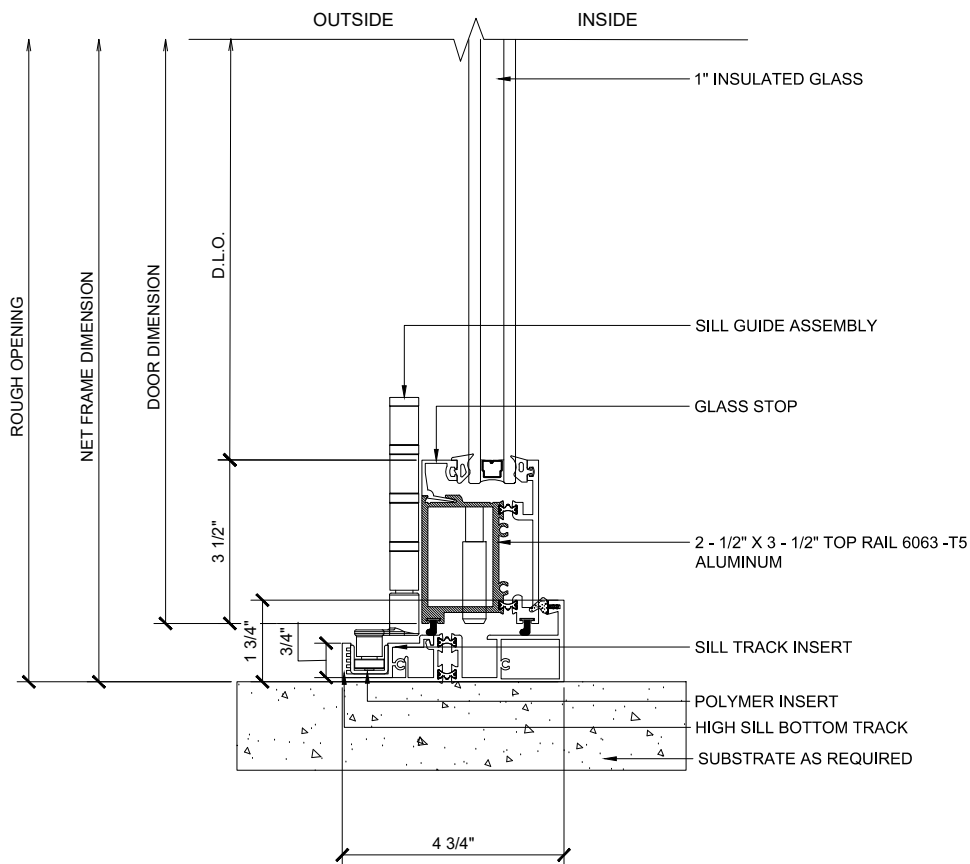
A CONFIGURATION

BI-FOLD DOOR SYSTEM (XX-X) SCALE: 6"=1'-0"

- Finishes:
- Clear and Bronze anodized finishes Class 1
 - Standard Mill Finish available for custom colors
 - Kynar

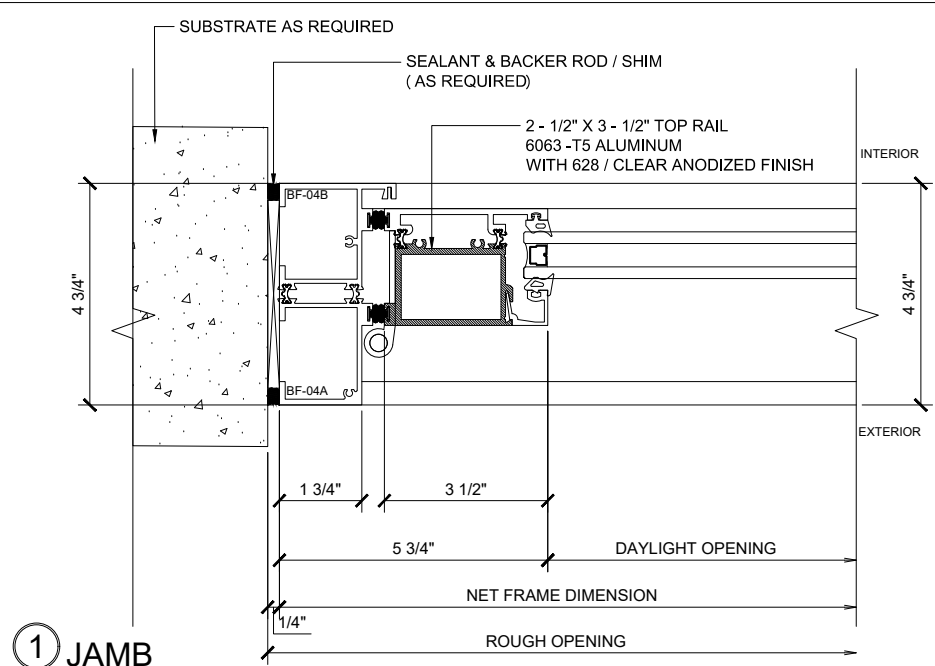
Custom finishes available

NOTE: When using maximum panel width & height 42" x 120" panel may exceed maximum panel weight of 220 lbs, consult PRL for details.



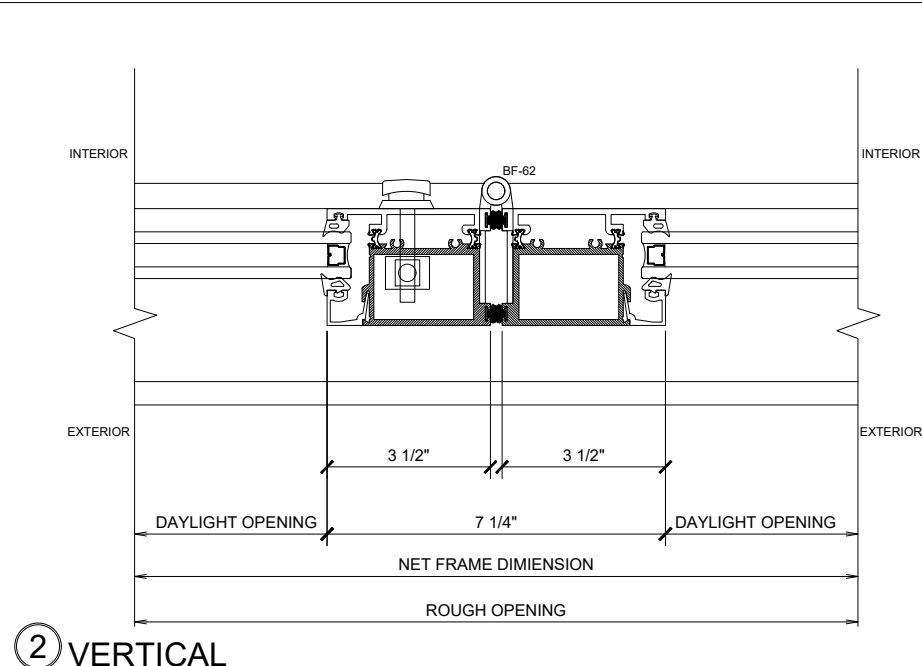
② HIGH SILL (@DOOR)

BI-FOLD DOOR SYSTEM (XX-X) SCALE: 6"=1'-0"



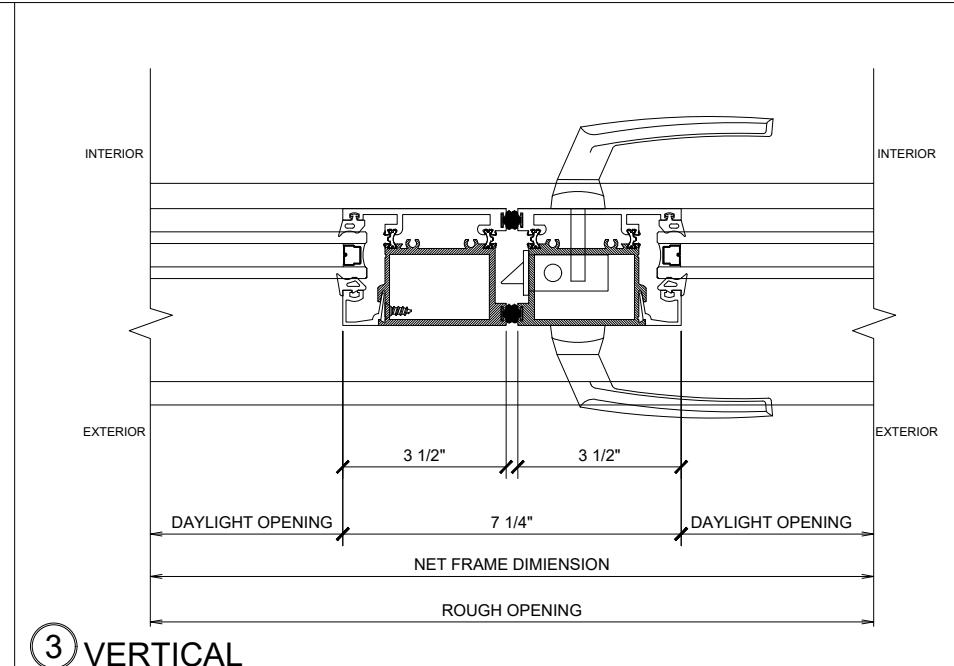
① JAMB

BI-FOLD DOOR SYSTEM (XX-X) SCALE: 6"=1'-0"



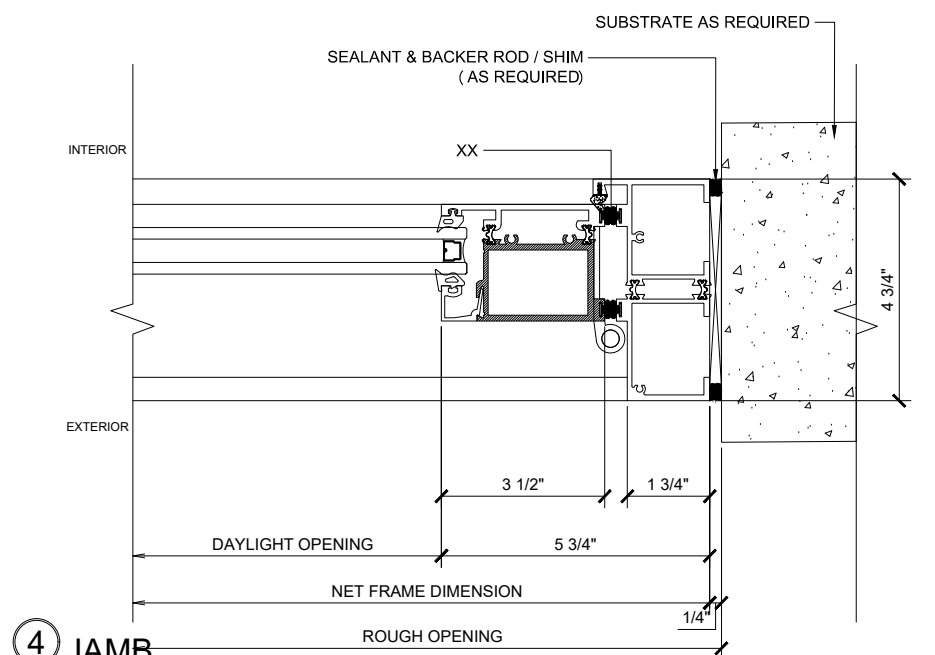
② VERTICAL

BI-FOLD DOOR SYSTEM (XX-X) SCALE: 6"=1'-0"



③ VERTICAL

BI-FOLD DOOR SYSTEM (XX-X) SCALE: 6"=1'-0"



④ JAMB

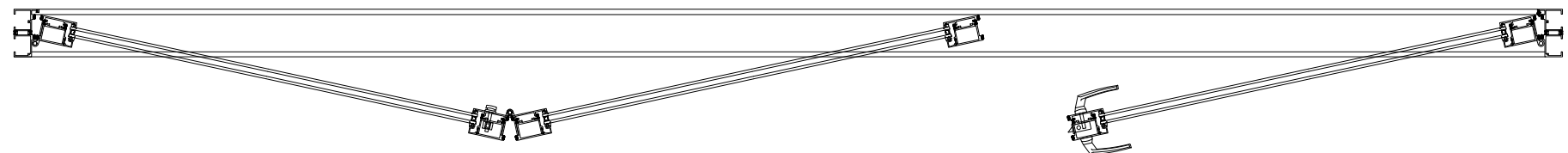
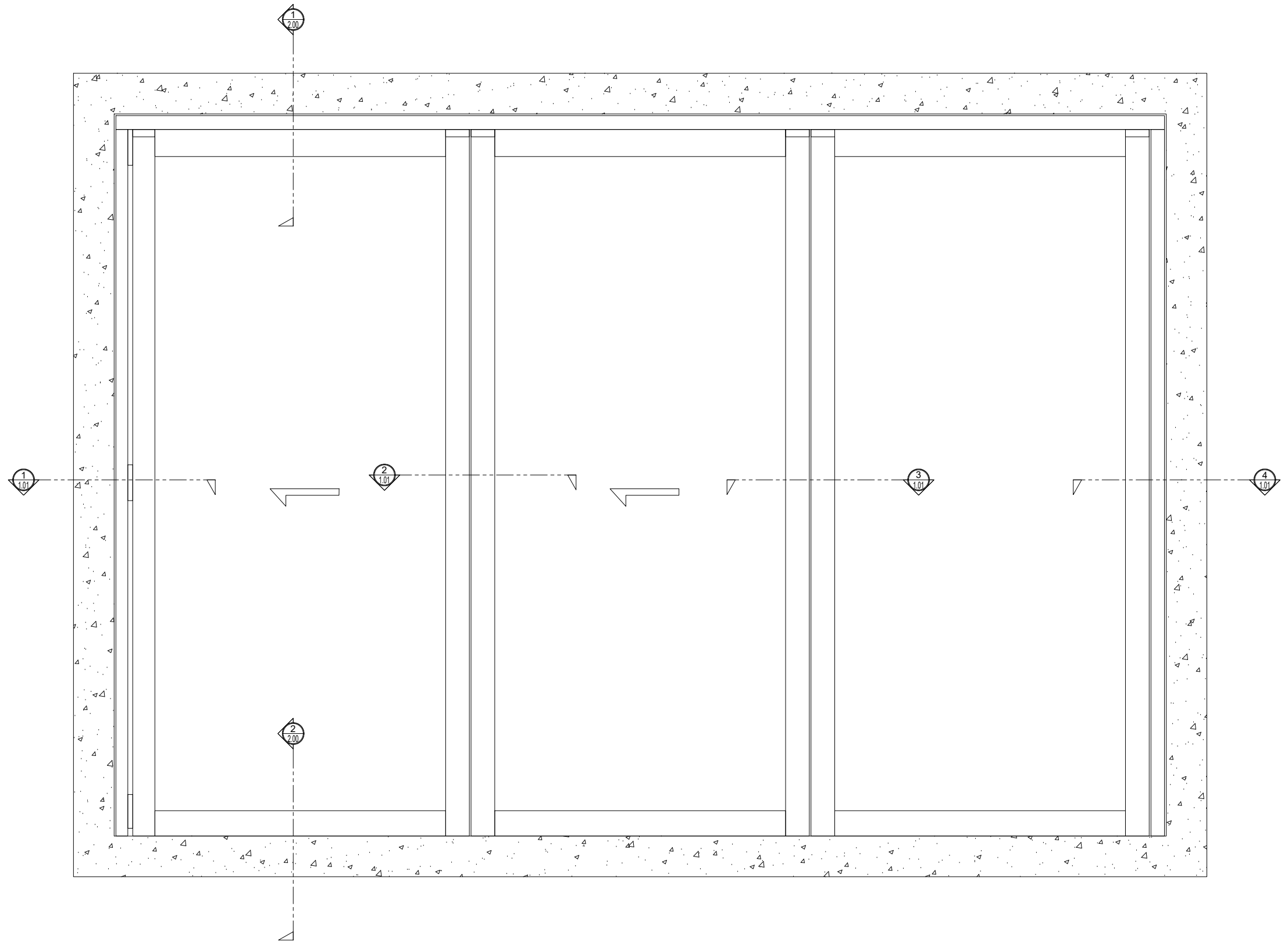
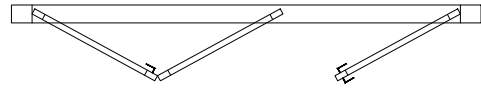
BI-FOLD DOOR SYSTEM (XX-X) SCALE: 6"=1'-0"



ADDRESS: 13644 NELSON AVE. CITY OF INDUSTRY, CA.
TEL: (877) 775-25856
FAX No.: (626) 968-95256
WEBSITE: www.prl-glass.com www.prlaluminum.com

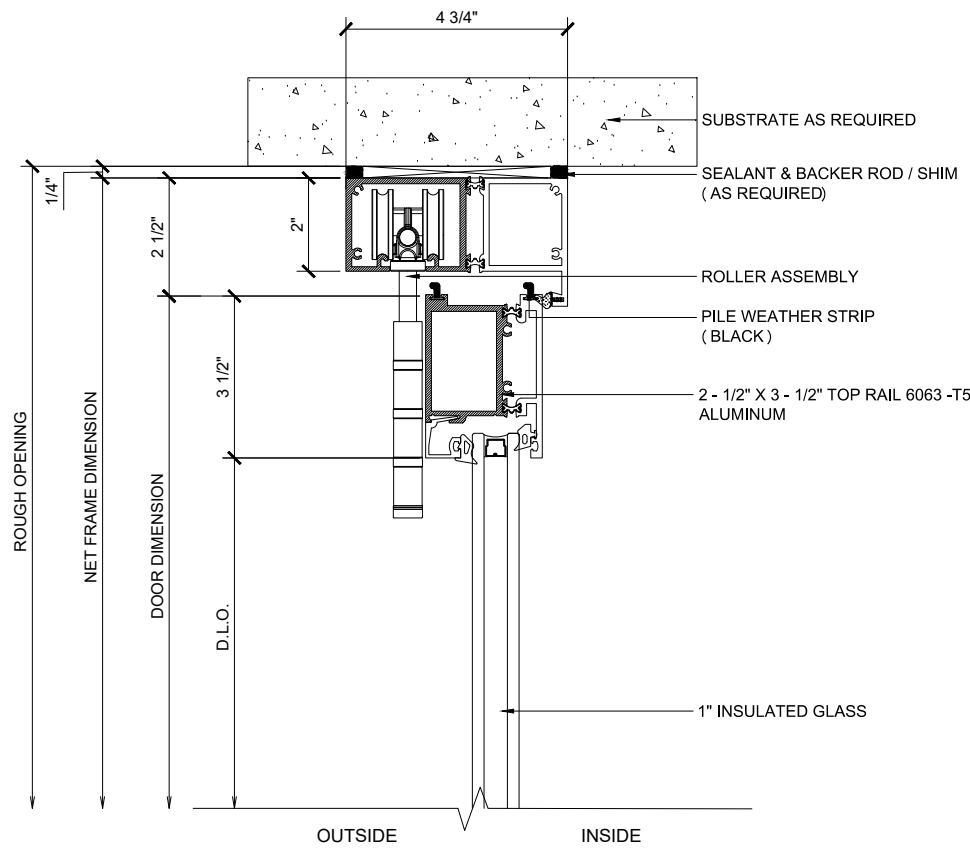
BI - FOLD NO SILL

DOOR SYSTEM IN A BI-DIRECTION (LEFT - RIGHT)
2L-1R PANELS - STACKING OUT
X - DOORS

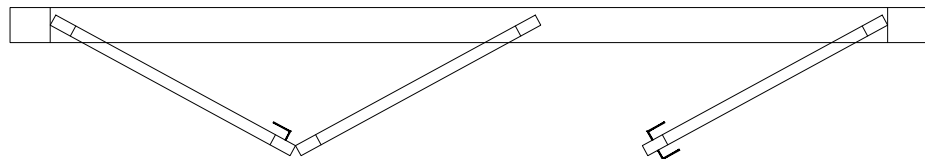


BI - FOLD NO SILL

DOOR SYSTEM IN A BI-DIRECTION (LEFT - RIGHT)
 1L-2R PANELS - STACKING OUT
 X - DOORS



① HEAD (@DOOR)
 BI-FOLD DOOR SYSTEM (XX-X) SCALE: 6"=1'-0"



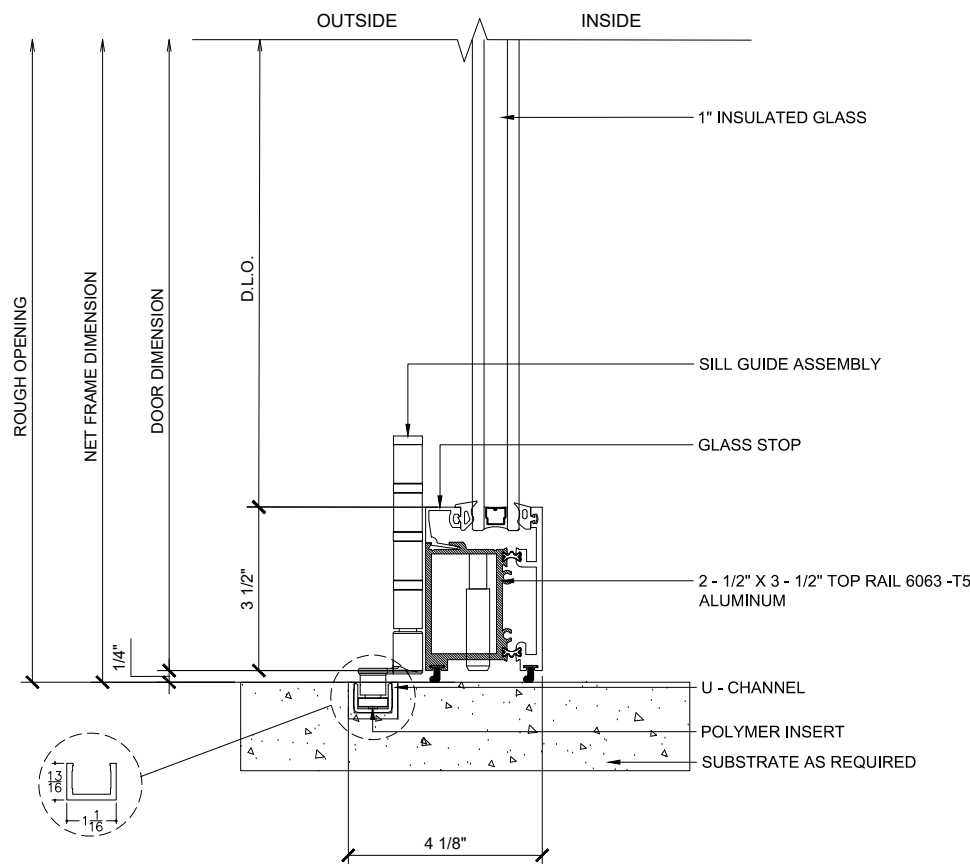
Ⓐ CONFIGURATION
 BI-FOLD DOOR SYSTEM (XX-X) SCALE: 6"=1'-0"

- Finishes:
- Clear and Bronze anodized finishes Class 1
 - Standard Mill Finish available for custom colors
 - Kynar

Custom finishes available

NOTE: When using maximum panel width & height 42" x 120" panel may exceed maximum panel weight of 220 lbs, consult PRL for details.

NO WATERPROOF



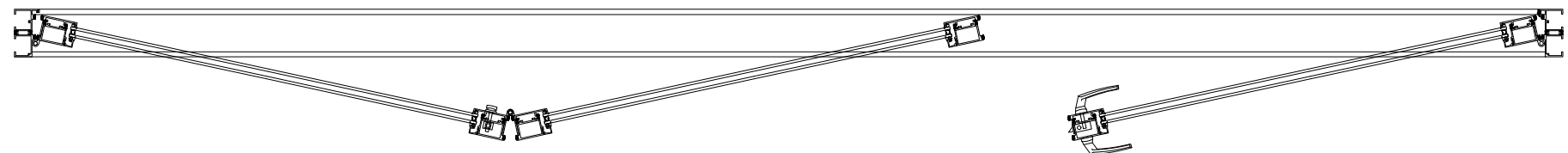
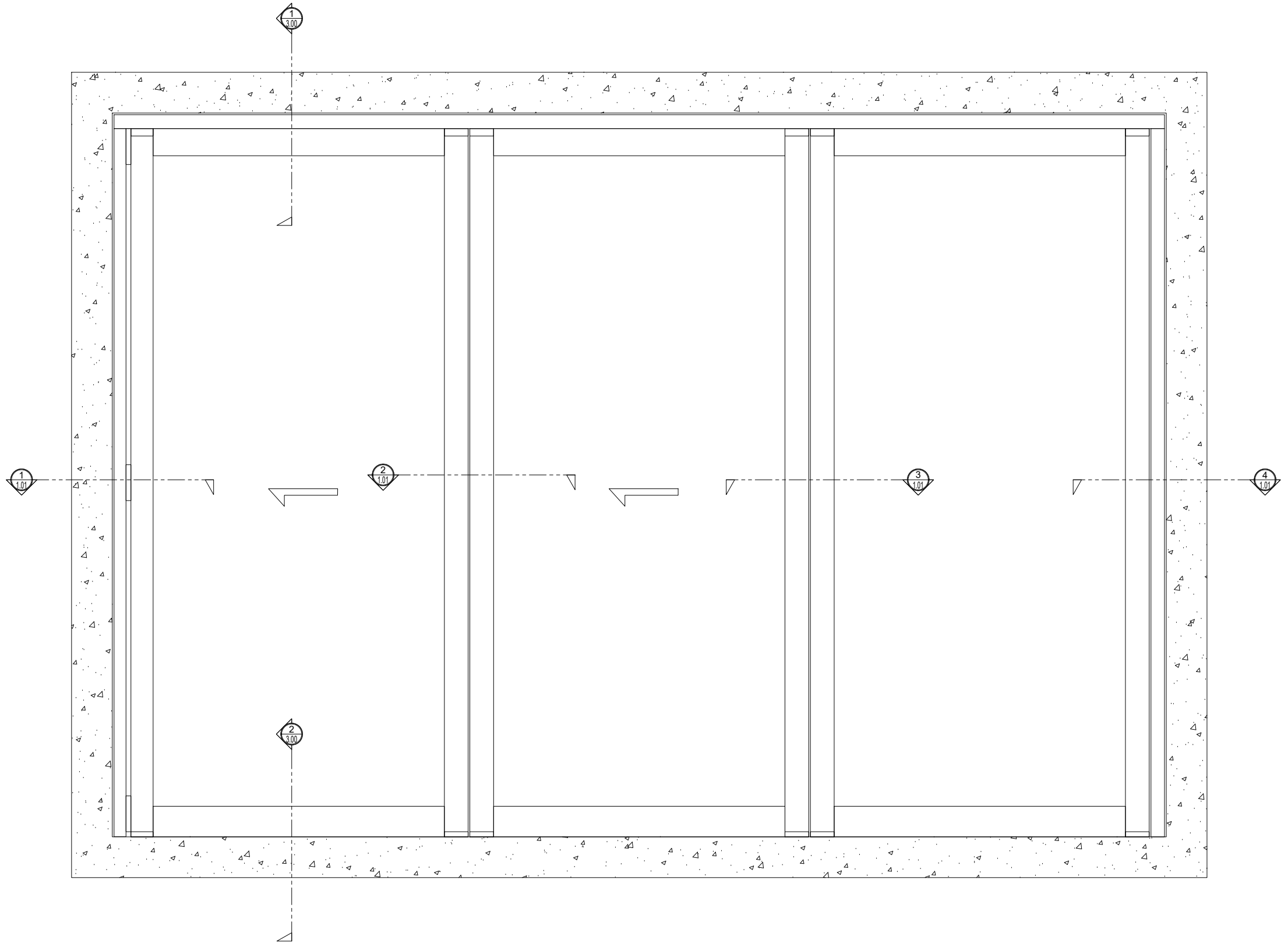
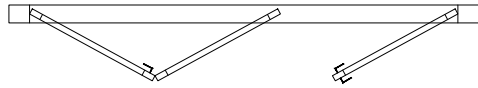
② NO SILL (@DOOR)
 BI-FOLD DOOR SYSTEM (XX-X) SCALE: 6"=1'-0"



ADDRESS: 13644 NELSON AVE. CITY OF INDUSTRY, CA.
TEL: (877) 775-25856
FAX No.: (626) 968-95256
WEBSITE: www.prl-glass.com www.prlaluminum.com

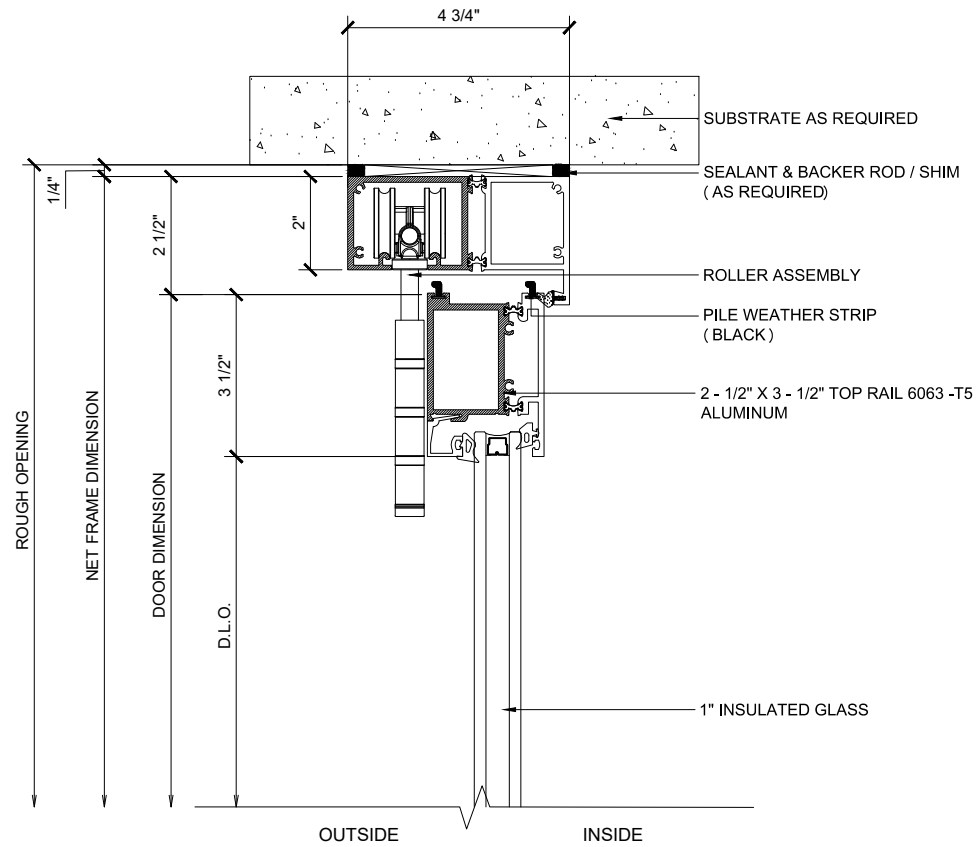
BI - FOLD LOW SILL

DOOR SYSTEM IN A BI-DIRECTION (LEFT - RIGHT)
2L-1R PANELS - STACKING OUT
X - DOORS



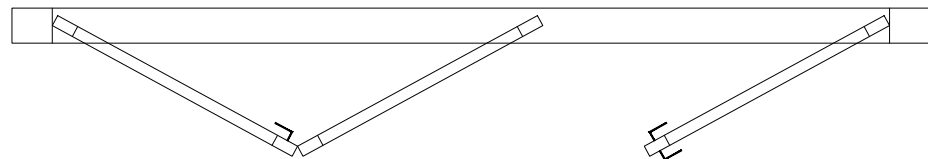
BI - FOLD LOW SILL

DOOR SYSTEM IN A BI-DIRECTION (LEFT - RIGHT)
 1L-2R PANELS - STACKING OUT
 X - DOORS



① HEAD (@DOOR)

BI-FOLD DOOR SYSTEM (XX-X) SCALE: 6"=1'-0"



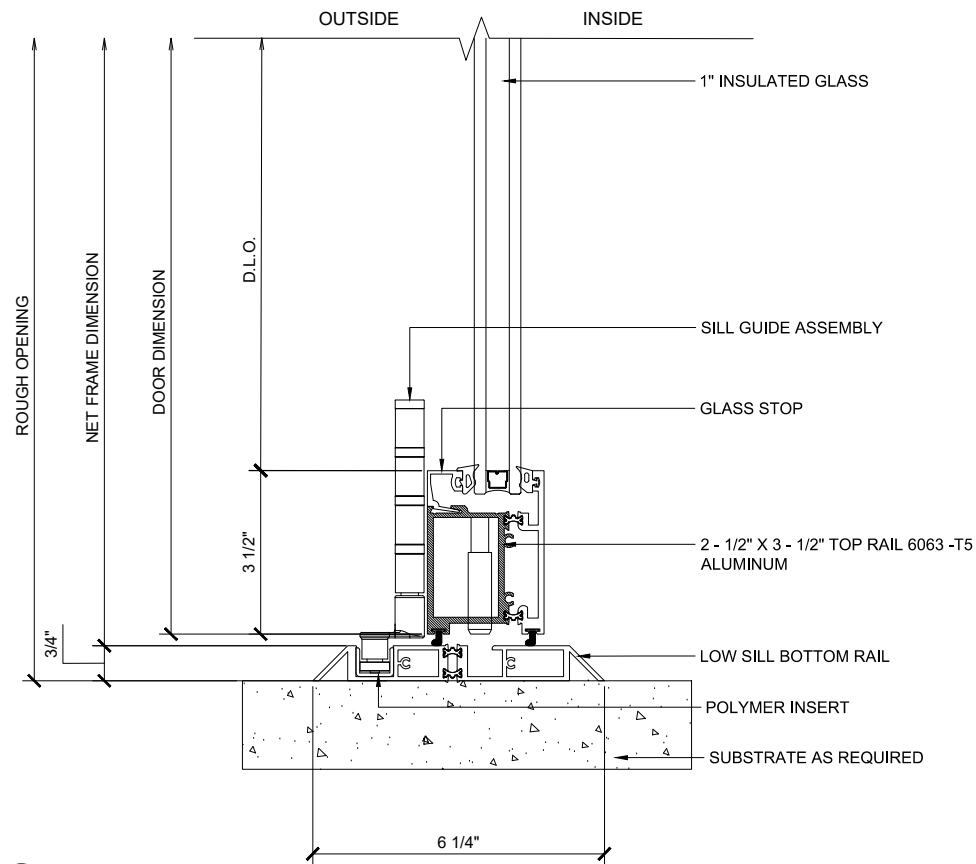
Ⓐ CONFIGURATION

BI-FOLD DOOR SYSTEM (XX-X) SCALE: 6"=1'-0"

Finishes:

- Clear and Bronze anodized finishes Class 1
- Standard Mill Finish available for custom colors
- Kynar

Custom finishes available



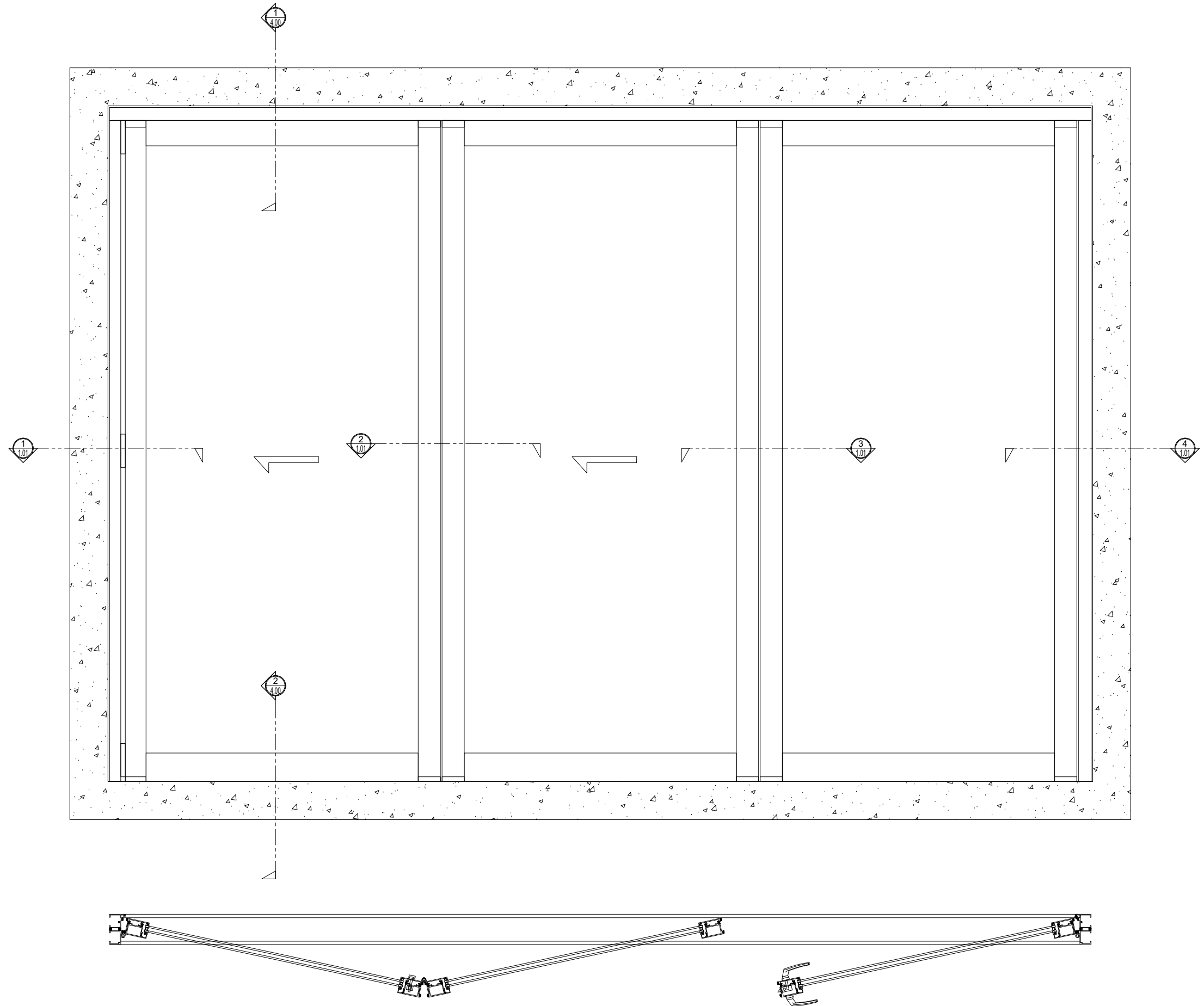
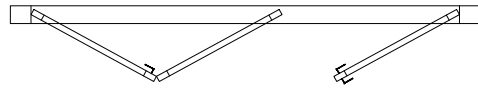
② LOW SILL (@DOOR)

BI-FOLD DOOR SYSTEM (XX-X) SCALE: 6"=1'-0"

BI - FOLD

ADA SILL

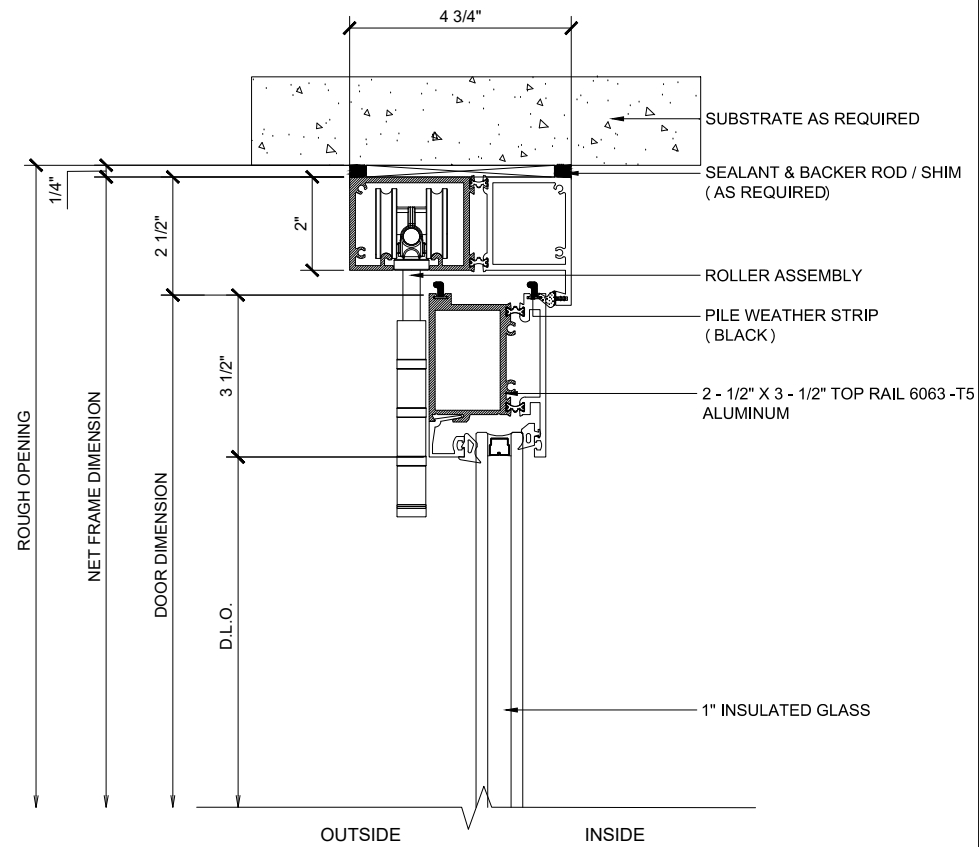
DOOR SYSTEM IN A BI-DIRECTION (LEFT - RIGHT)
2L-1R PANELS - STACKING OUT
X - DOORS



BI - FOLD

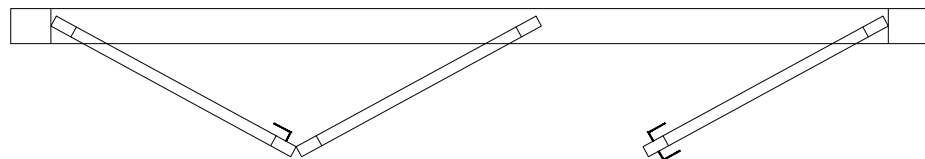
ADA SILL

DOOR SYSTEM IN A BI-DIRECTION (LEFT - RIGHT)
 1L-2R PANELS - STACKING OUT
 X - DOORS



① HEAD (@DOOR)

BI-FOLD DOOR SYSTEM (XX-X) SCALE: 6"=1'-0"



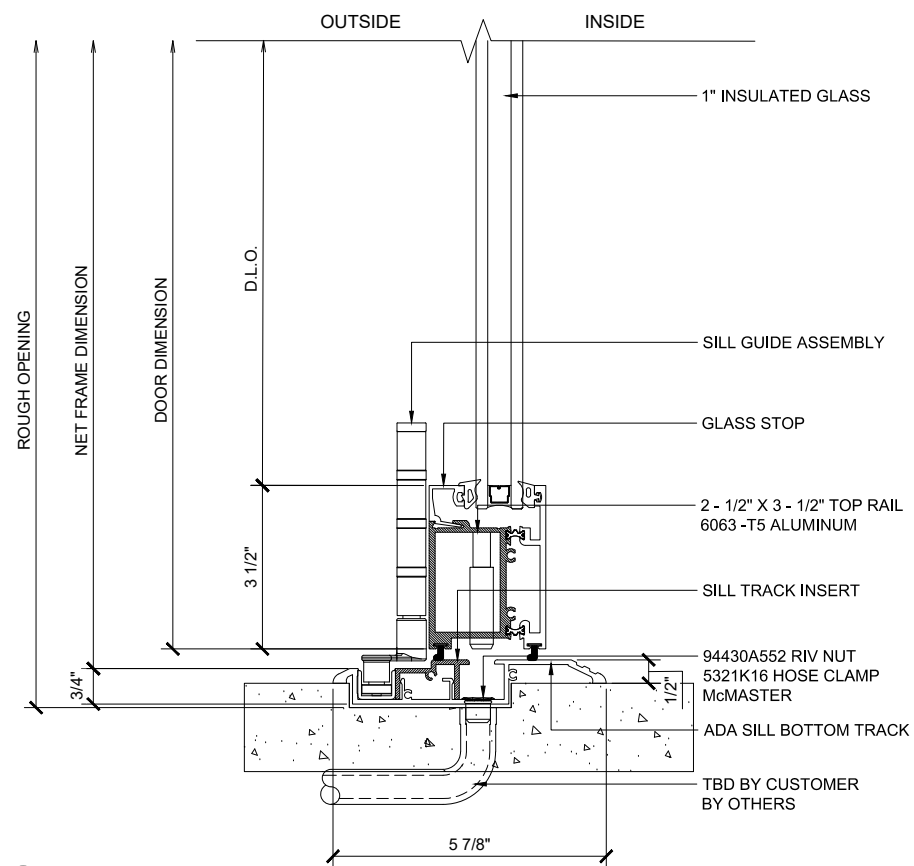
Ⓐ CONFIGURATION

BI-FOLD DOOR SYSTEM (XX-X) SCALE: 6"=1'-0"

Finishes:

- Clear and Bronze anodized finishes Class 1
- Standard Mill Finish available for custom colors
- Kynar

Custom finishes available



② ADA SILL (@DOOR)

BI-FOLD DOOR SYSTEM (XX-X) SCALE: 6"=1'-0"