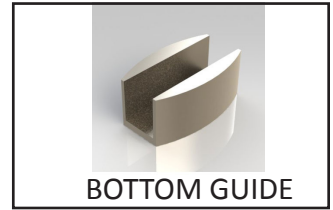


TIFFANY SERIES SLIDING GLASS SYSTEM



APPLICATION:

- WALL MOUNT
- FASCIA MOUNT

WEIGHT LIMITS:

- (2) ROLLERS (200 lbs)
- (3) ROLLERS (275 lbs)

GLASS THICKNESSES:

- 3/8" & 1/2"

AVAILABLE FINISH:

- #4 BRUSHED S.S. (US32D)
- #8 POLISHED S.S. (US32)

PANEL LIMITS:

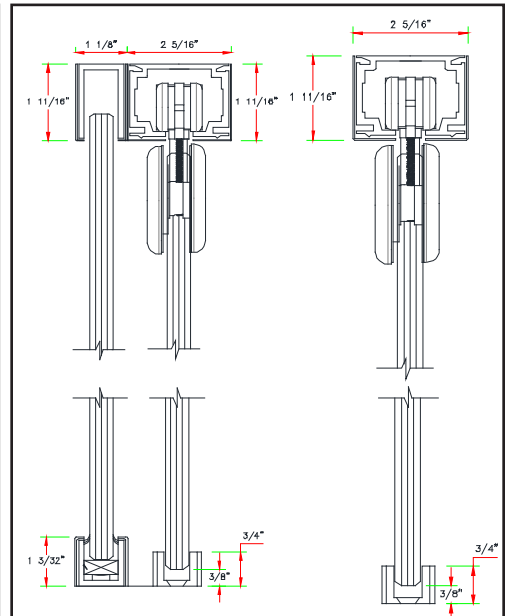
- MAX PANEL WIDTH: 50"
- MAX PANEL HEIGHT: 108"

GLASS COLOR:

- CLEAR
- BRONZE
- STARPHIRE
- GRAY
- TEXTURE

OPTIONAL:

- LOCK WHEN REQUESTED
- LADDER HANDLES



251 MASON WAY
 CITY OF INDUSTRY, CA 91746
 PHONE: (800) 433-7044 FAX: (626) 986-9256
 WWW.PRLGLASS.COM