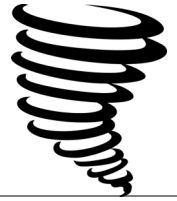


PRL GLASS SYSTEMS

RUBY



Top hung sliding system



Ruby
installation instructions

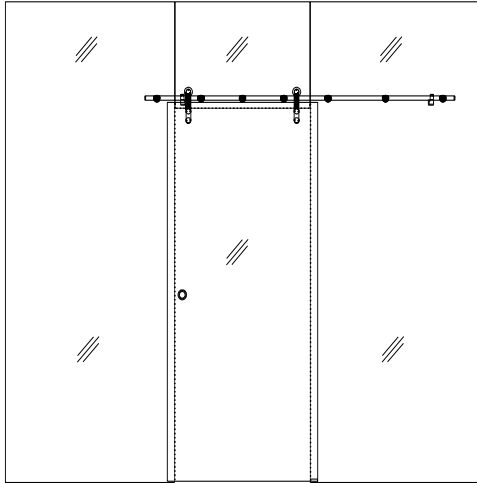
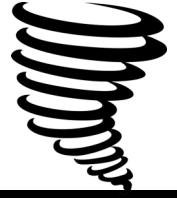
Ruby glass mount

Ruby wall mount

Cut sections

Accessories / parts

PRL GLASS SYSTEMS

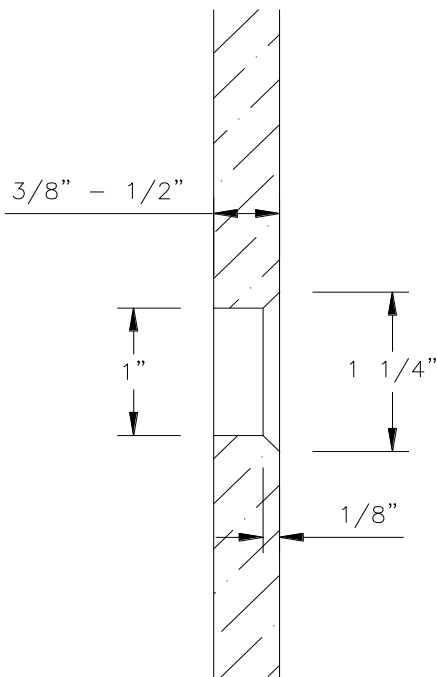


Important information:

All glass clamping areas are to be cleaned with standard cleaning products prior to installation of system

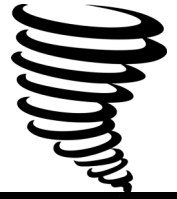


Do not use thinners



Glass preparation:

Hole for countersunk
Single-point fixing.

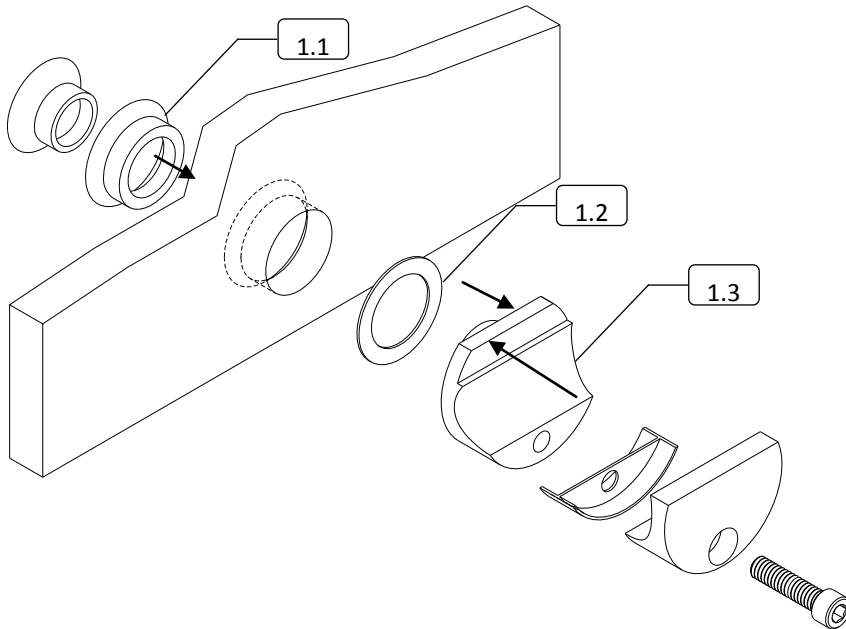


Insert 1.1 onto countersunk hole

1

Insert 1.2 onto 1.3

2

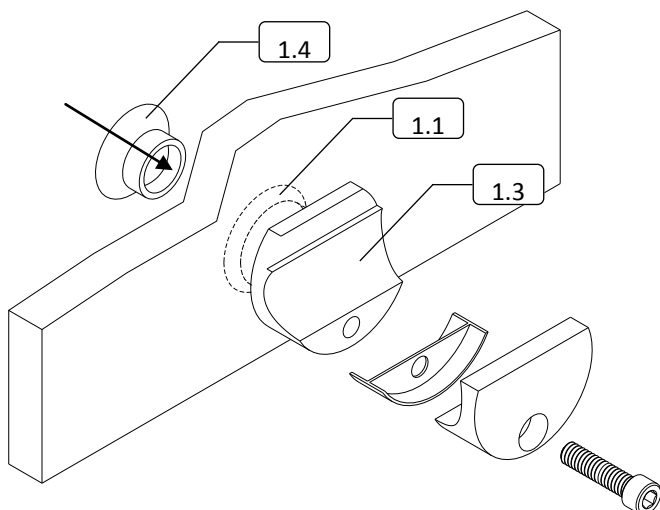


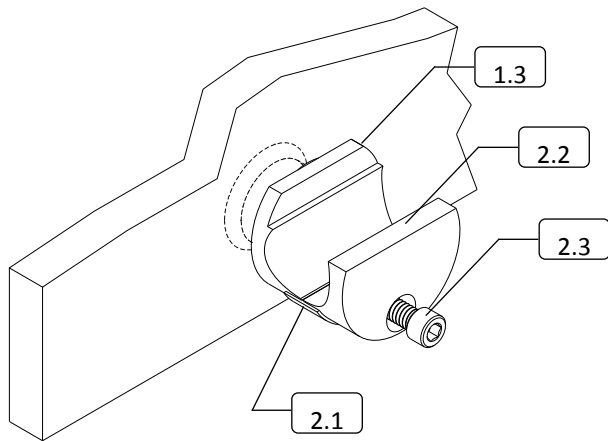
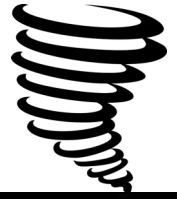
Insert 1.3 onto 1.1

3

Insert 1.4 onto 1.1
& tighten using (spanner wrench)

4





Align 2.1 between 1.3 & 2.2

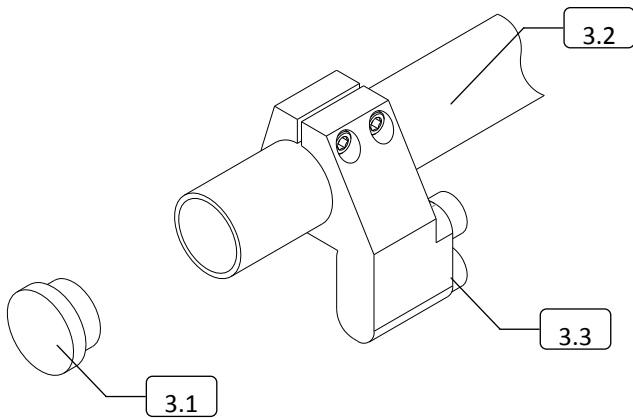
5

Place 2.2 on top of 2.1

6

Insert 2.3 Screw onto 2.2 hole
(do not tighten yet)

7



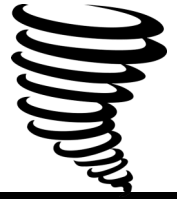
Insert 3.3 stop in 3.2 tube
(do not tighten yet)

8

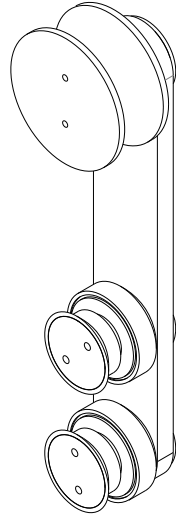
Insert 3.1 end cap in 3.2 tube

6

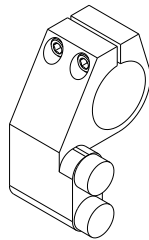
PRL GLASS SYSTEMS



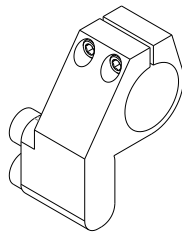
Ruby Top hung sliding system components



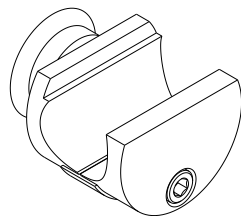
Sliding door roller carrier PLHDSR



Left hand door stop PLLSTOP

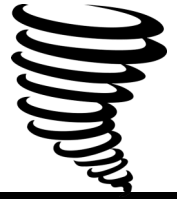


Right hand door stop PLRSTOP

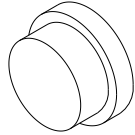


Glass mount clamp PLRC

PRL GLASS SYSTEMS

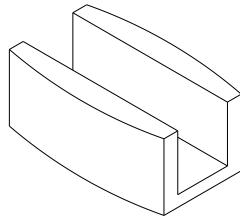


Ruby Top hung sliding system components



End cap
(welded end cap optional)

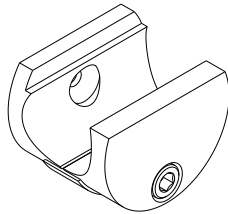
PLTUBES



Bottom guide

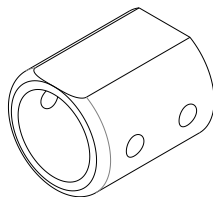
PLSG

Ruby Wall mount system components only



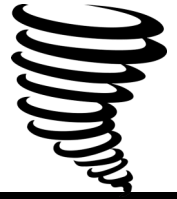
Wall mount clamp

PLT



Tube wall mount end cap

PLTUBESW



Options of installation

