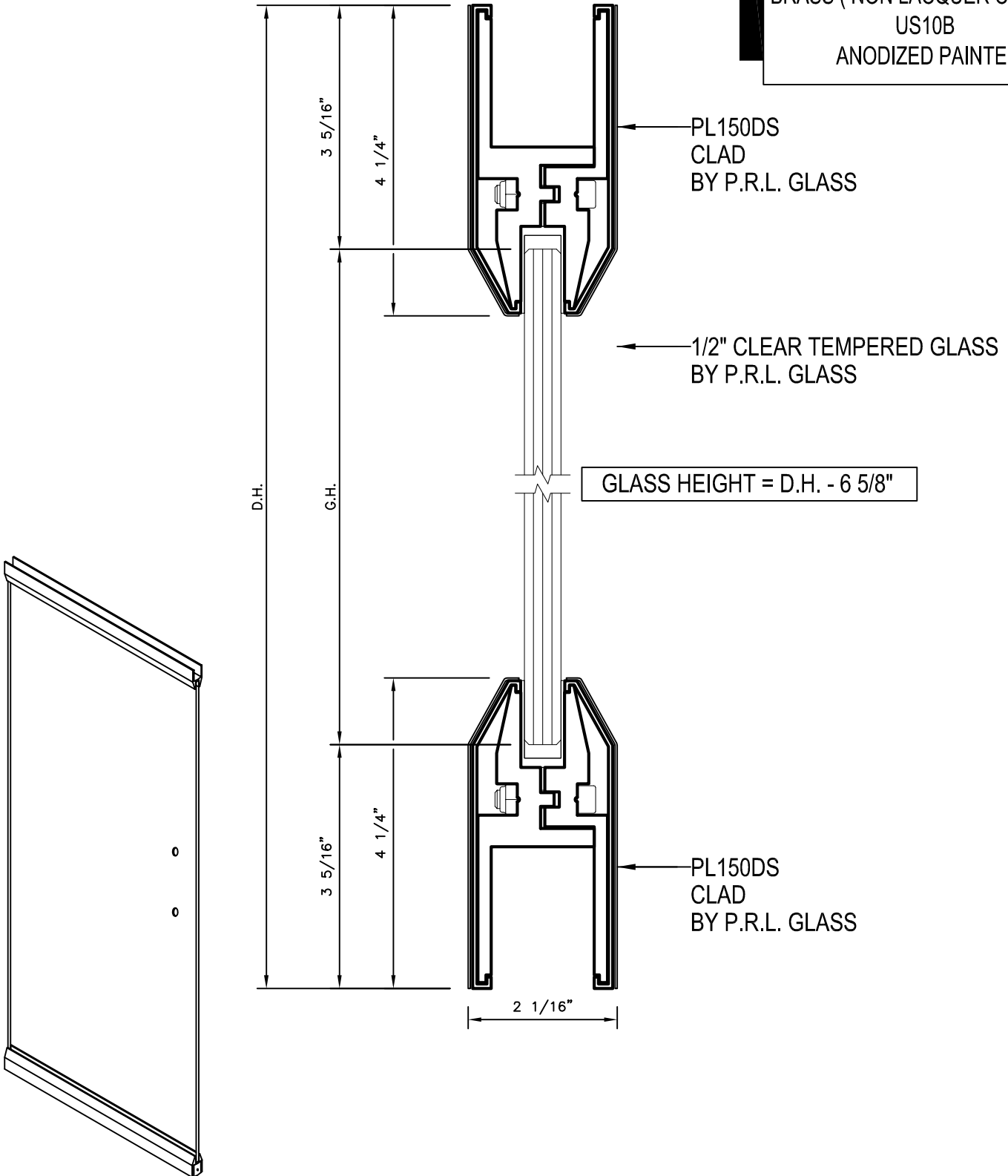


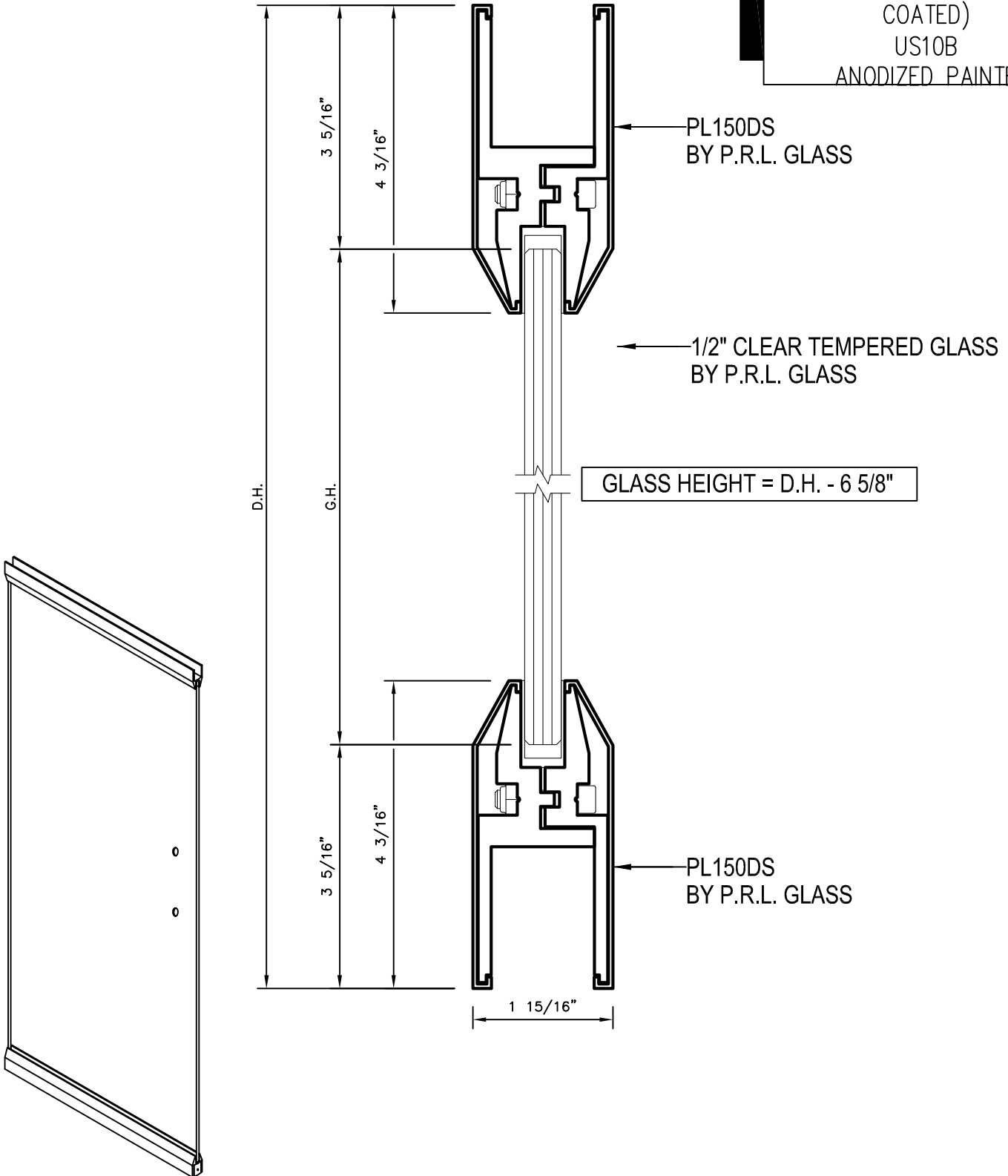


* FINISHES AVAILABLE :
8 POLISHED & # 4 SATIN
STAINLESS
US3 POLISHED & US4 SATIN
BRASS (NON LACQUER COATED)
US10B
ANODIZED PAINTED



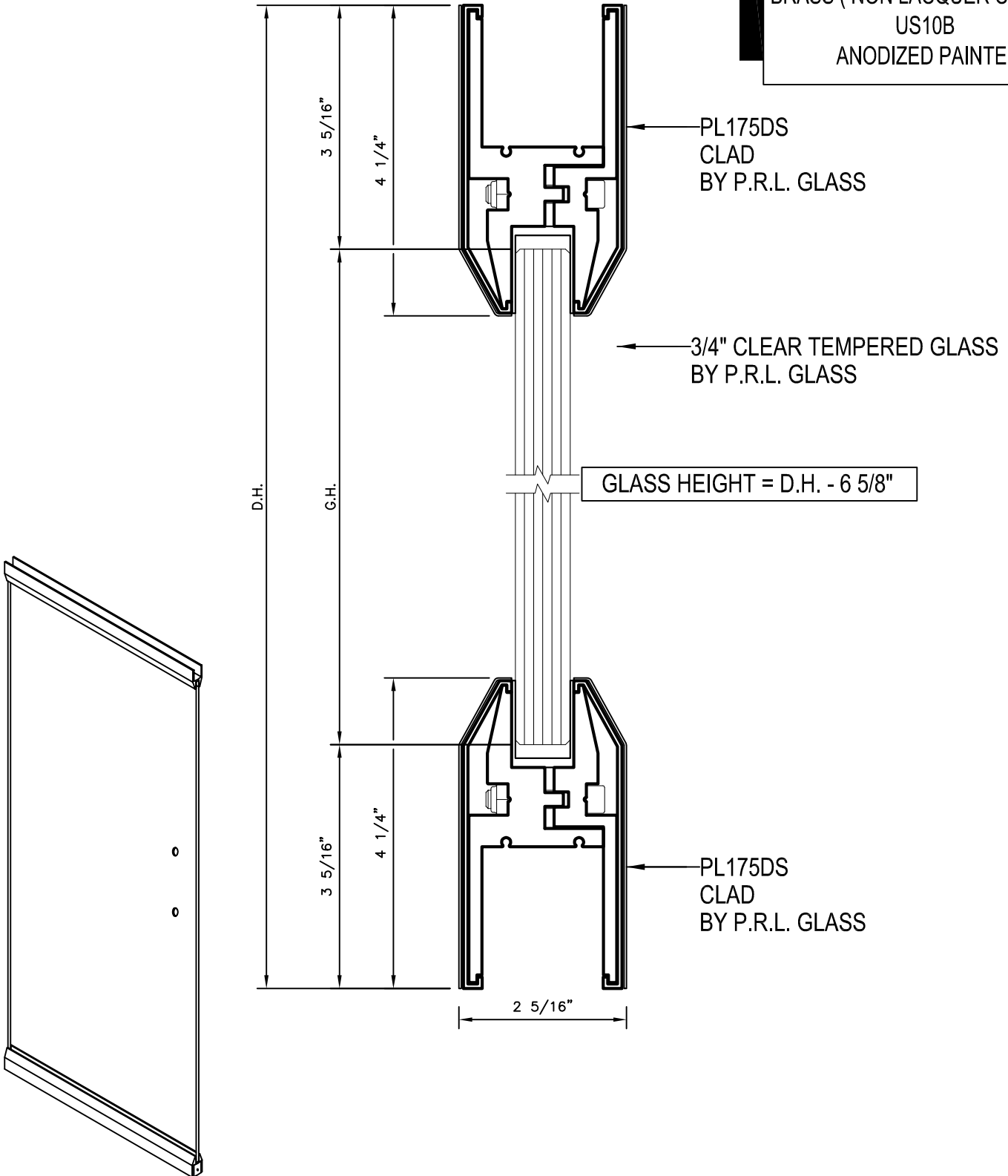


* FINISHES AVAILABLE :
8 POLISHED & # 4 SATIN
STAINLESS
US3 POLISHED & US4 SATIN
BRASS (NON LACQUER
COATED)
US10B
ANODIZED PAINTED



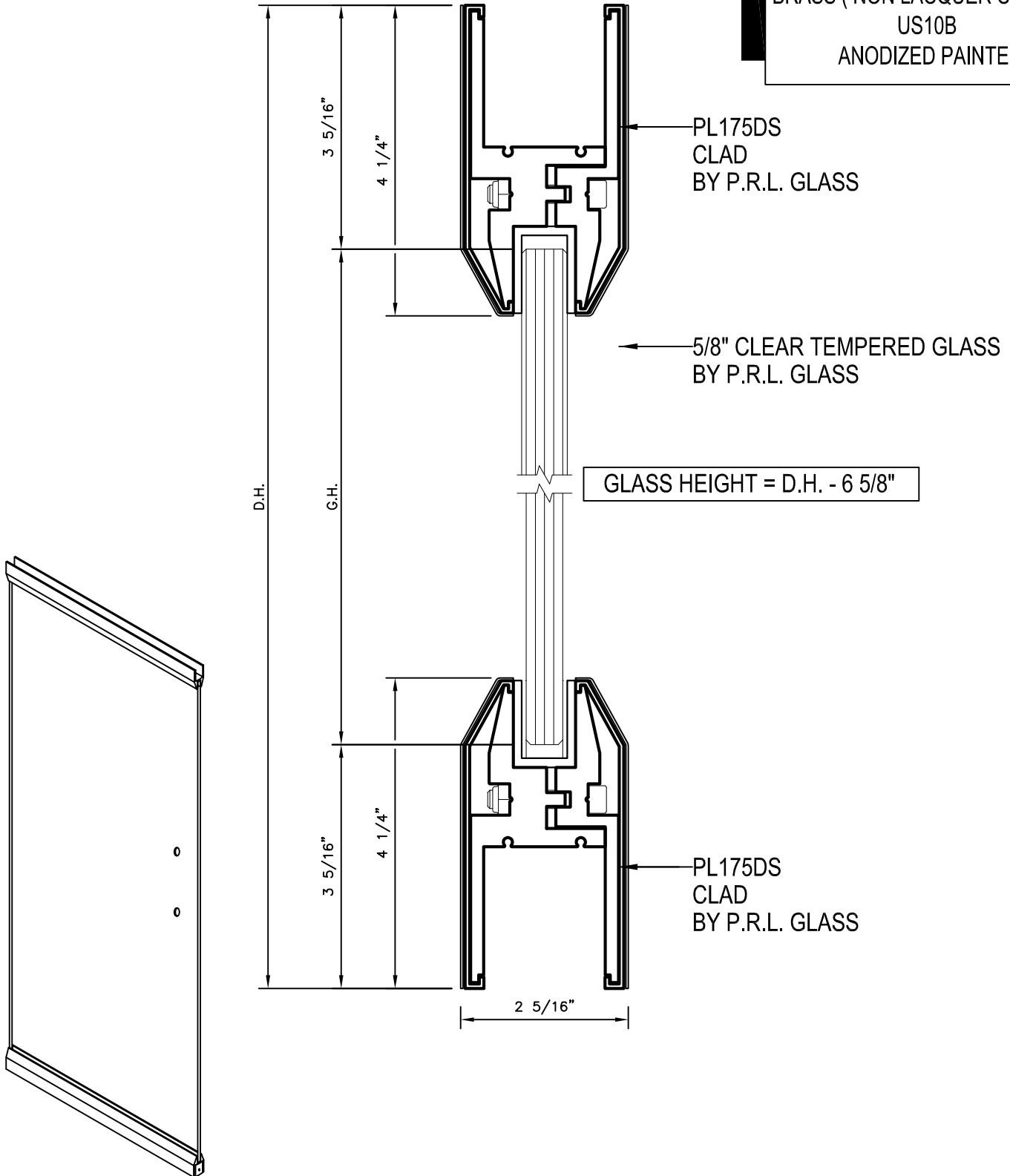


* FINISHES AVAILABLE :
8 POLISHED & # 4 SATIN
STAINLESS
US3 POLISHED & US4 SATIN
BRASS (NON LACQUER COATED)
US10B
ANODIZED PAINTED



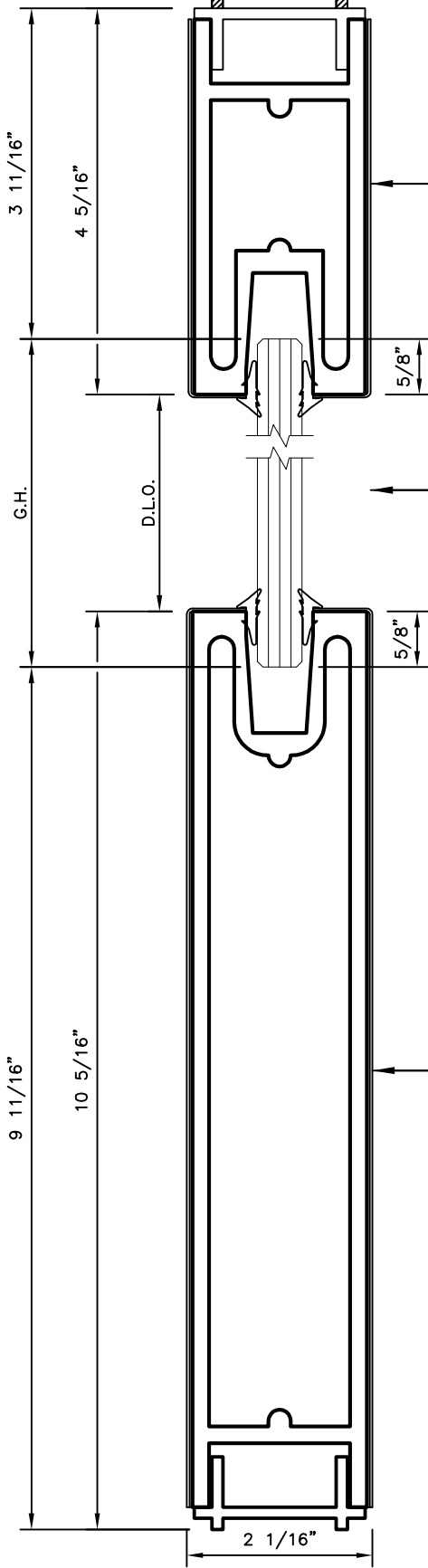


* FINISHES AVAILABLE :
8 POLISHED & # 4 SATIN
STAINLESS
US3 POLISHED & US4 SATIN
BRASS (NON LACQUER COATED)
US10B
ANODIZED PAINTED





cut off legs

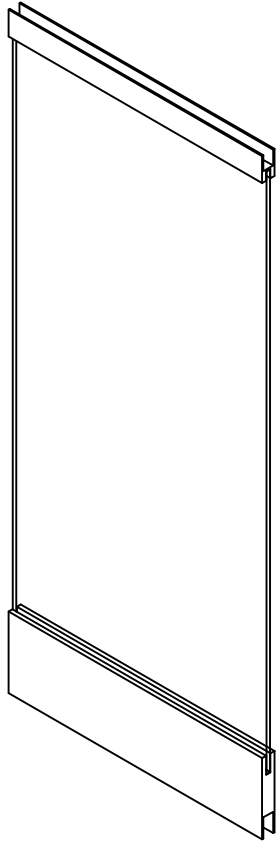


* FINISHES AVAILABLE :
8 POLISHED & # 4 SATIN
STAINLESS
US3 POLISHED & US4 SATIN
BRASS (NON LACQUER
COATED)
US10B
ANODIZED PAINTED

GLASS HEIGHT = D.L.O + 1-1/4"

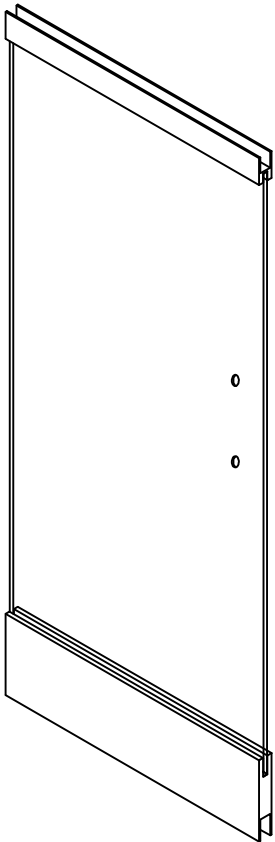
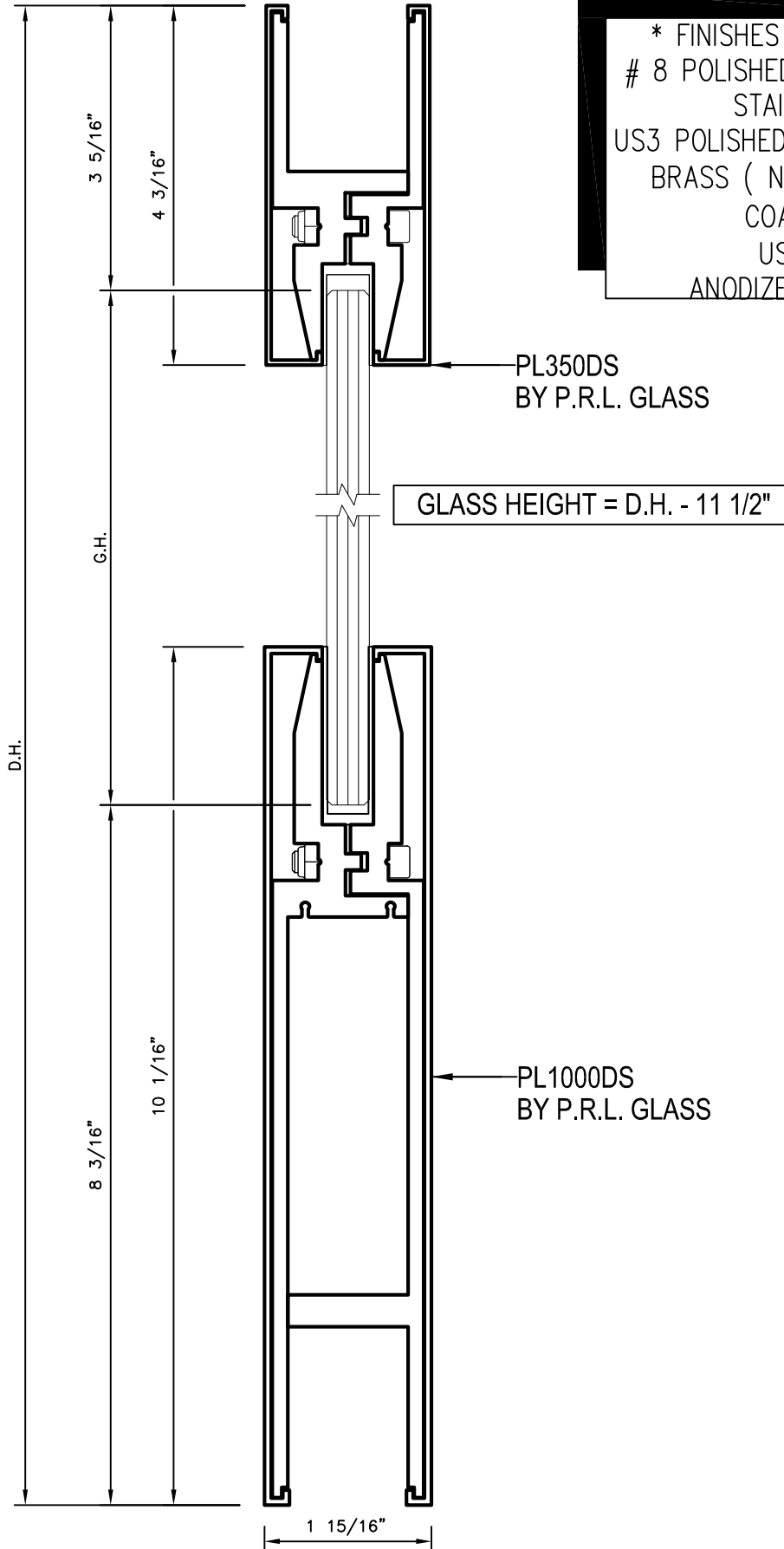
1/2" CLEAR TEMPERED GLASS
BY P.R.L. GLASS

PL1000SDS
CLAD
BY P.R.L. GLASS



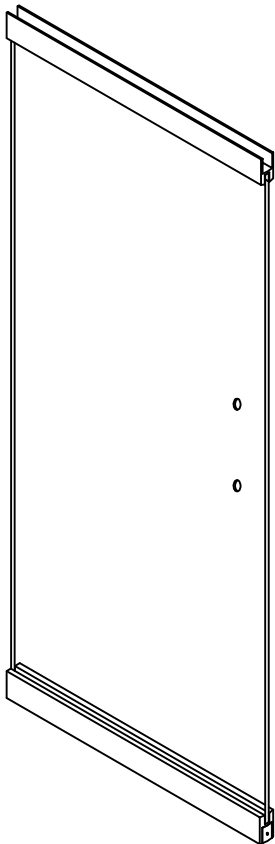
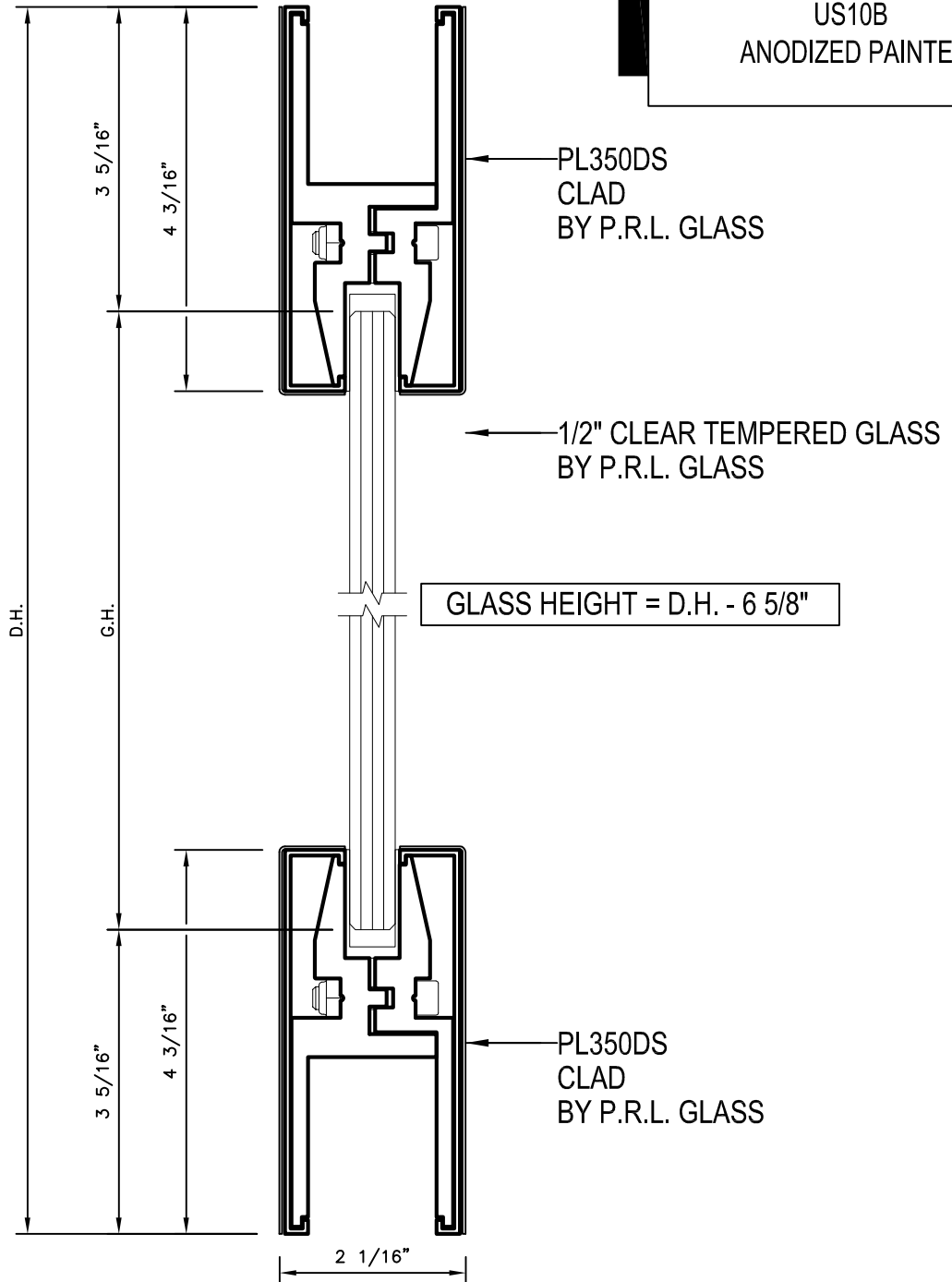


* FINISHES AVAILABLE :
8 POLISHED & # 4 SATIN
STAINLESS
US3 POLISHED & US4 SATIN
BRASS (NON LACQUER
COATED)
US10B
ANODIZED PAINTED



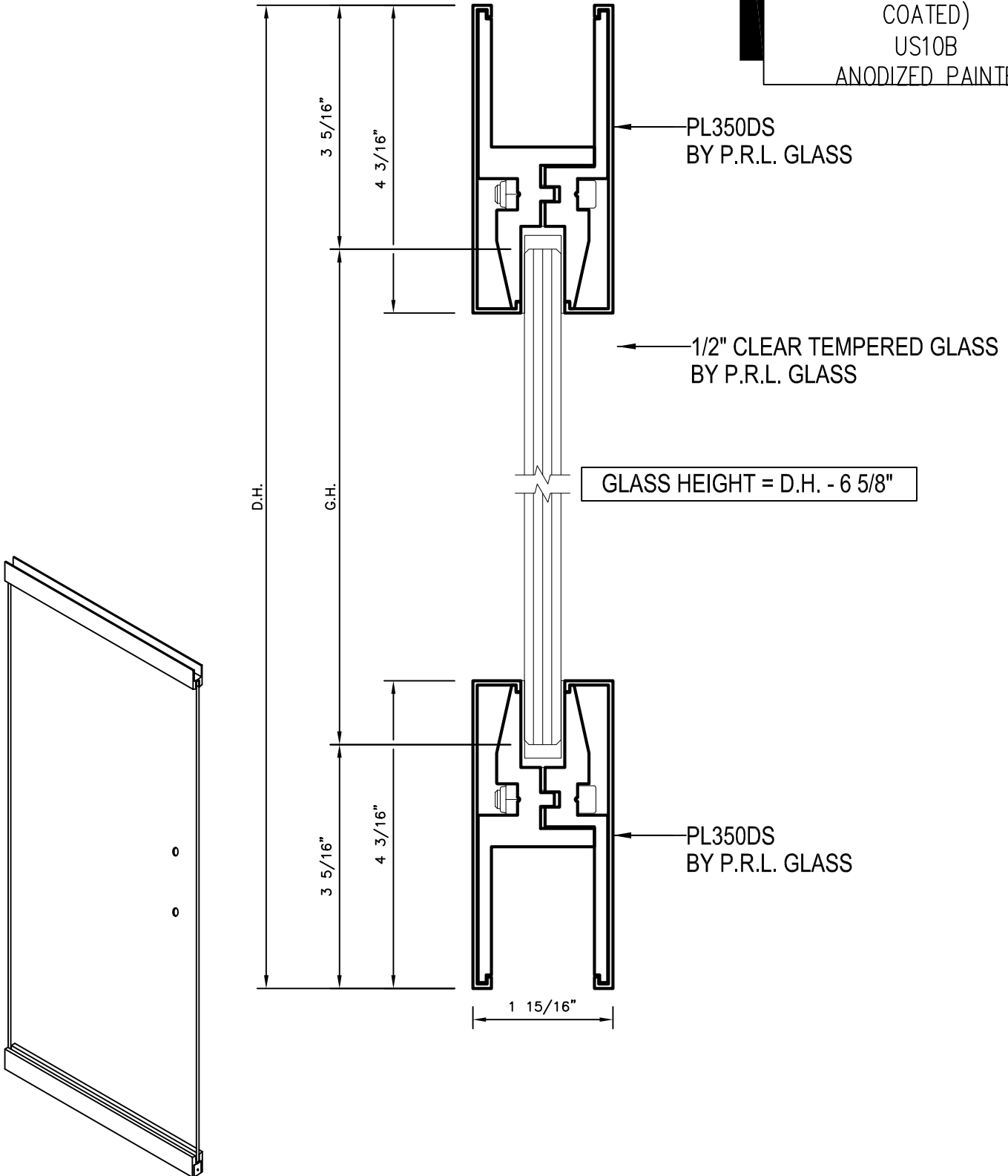


* FINISHES AVAILABLE :
8 POLISHED & # 4 SATIN
STAINLESS
US3 POLISHED & US4 SATIN
BRASS (NON LACQUER COATED)
US10B
ANODIZED PAINTED



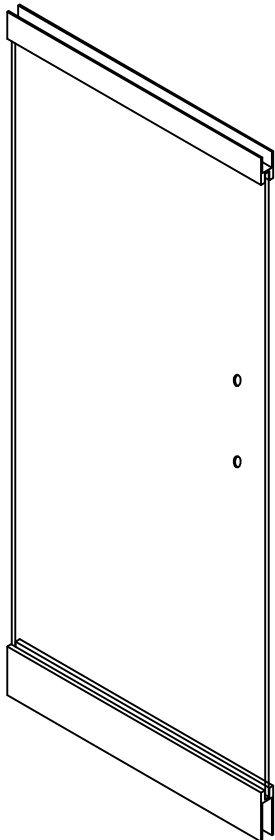
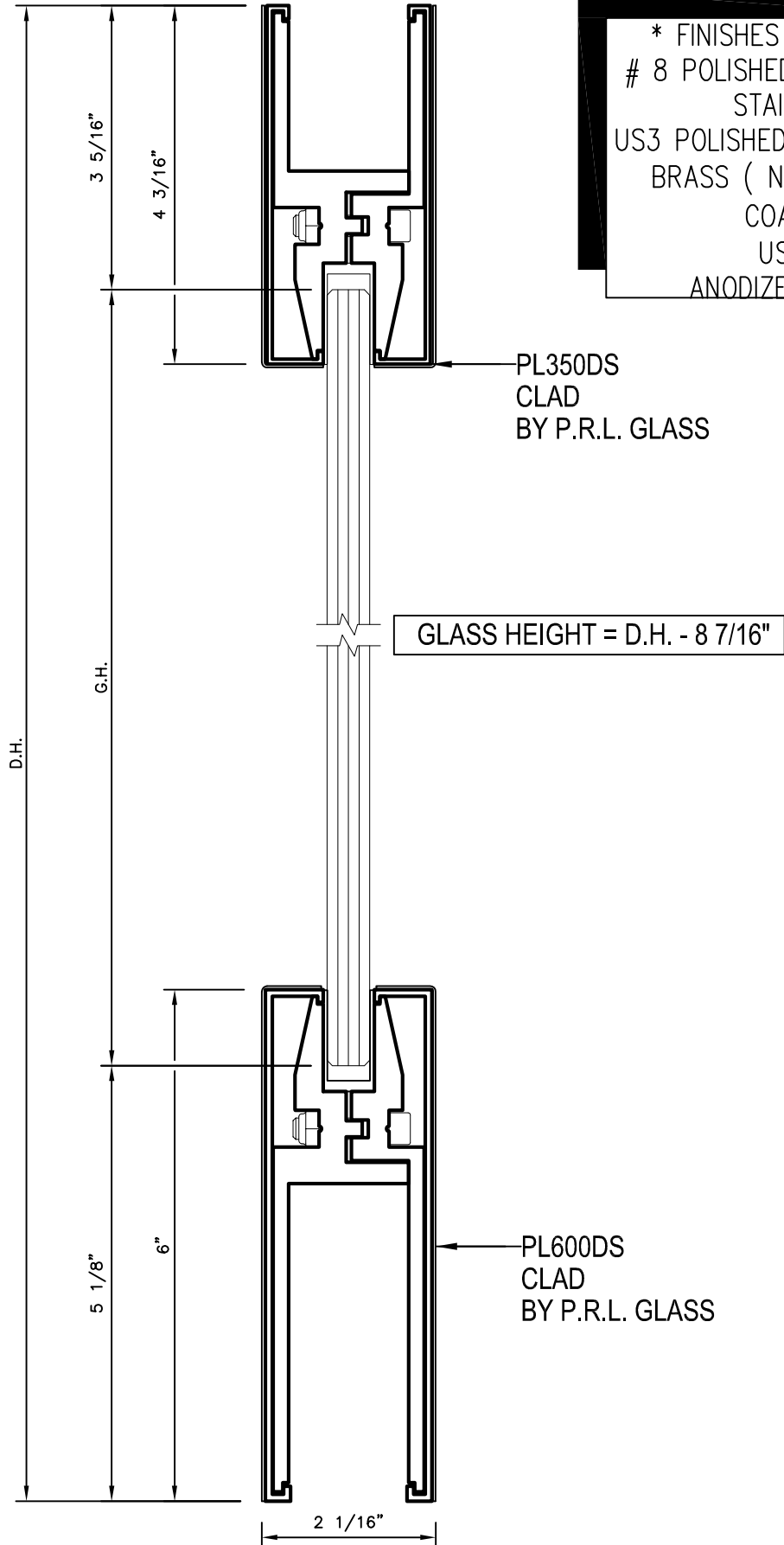


* FINISHES AVAILABLE :
8 POLISHED & # 4 SATIN
STAINLESS
US3 POLISHED & US4 SATIN
BRASS (NON LACQUER
COATED)
US10B
ANODIZED PAINTED



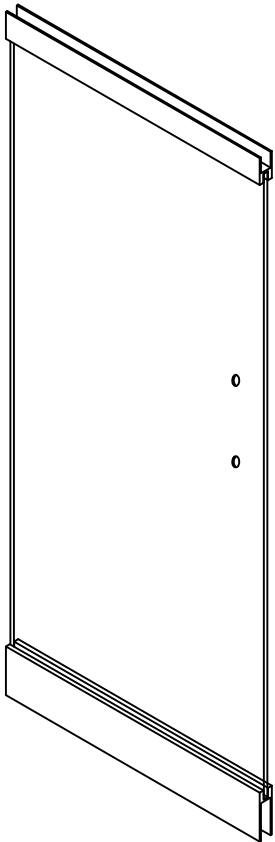
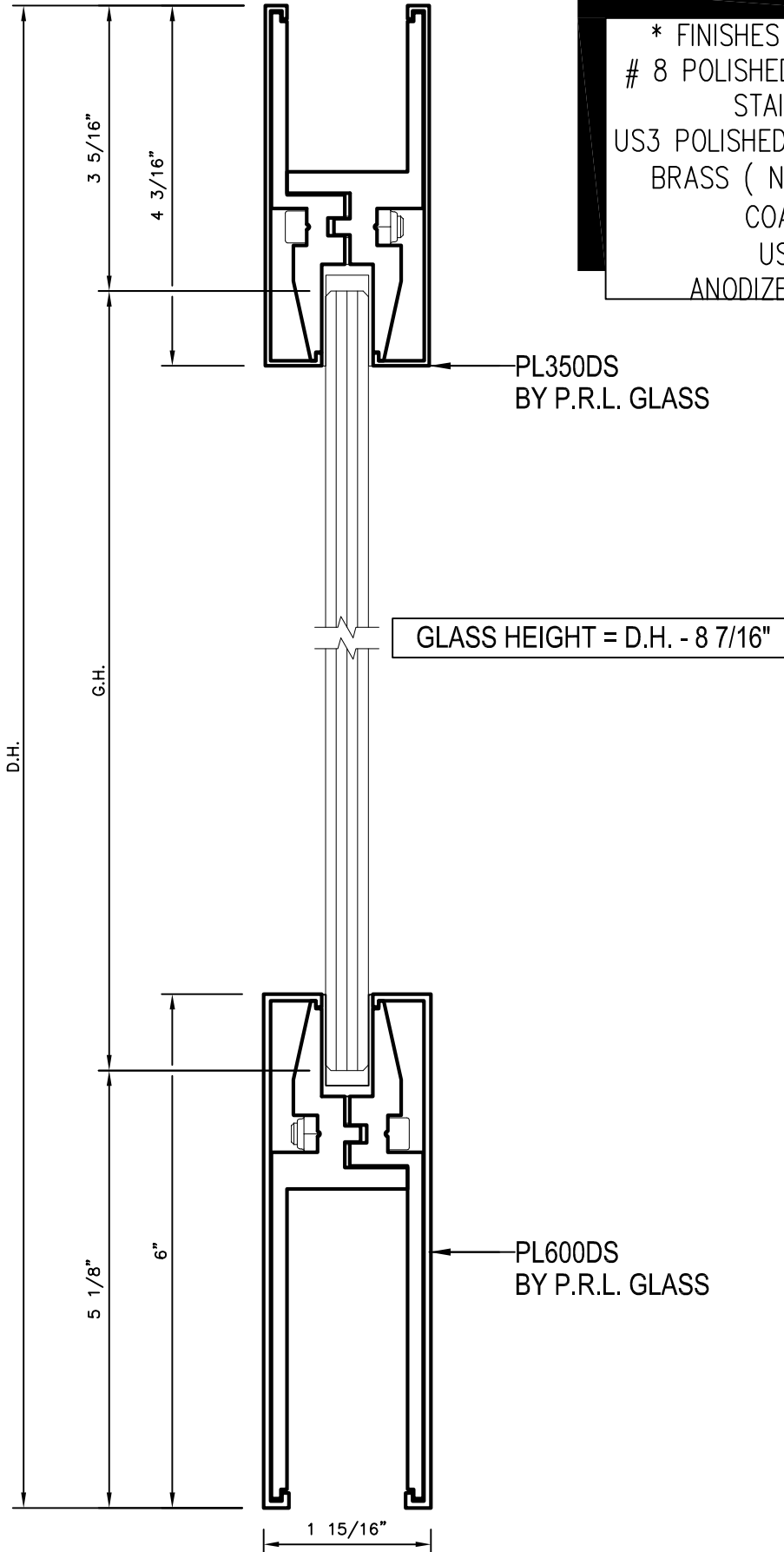


* FINISHES AVAILABLE :
8 POLISHED & # 4 SATIN
STAINLESS
US3 POLISHED & US4 SATIN
BRASS (NON LACQUER
COATED)
US10B
ANODIZED PAINTED



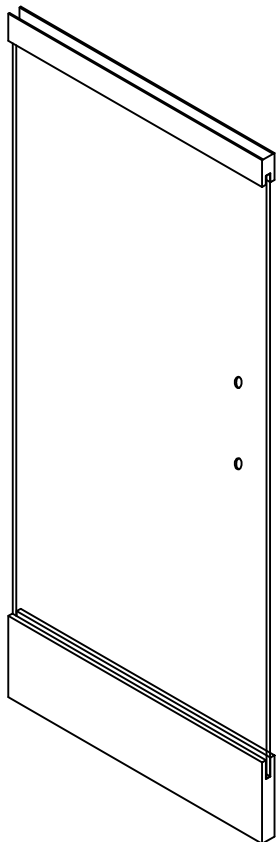
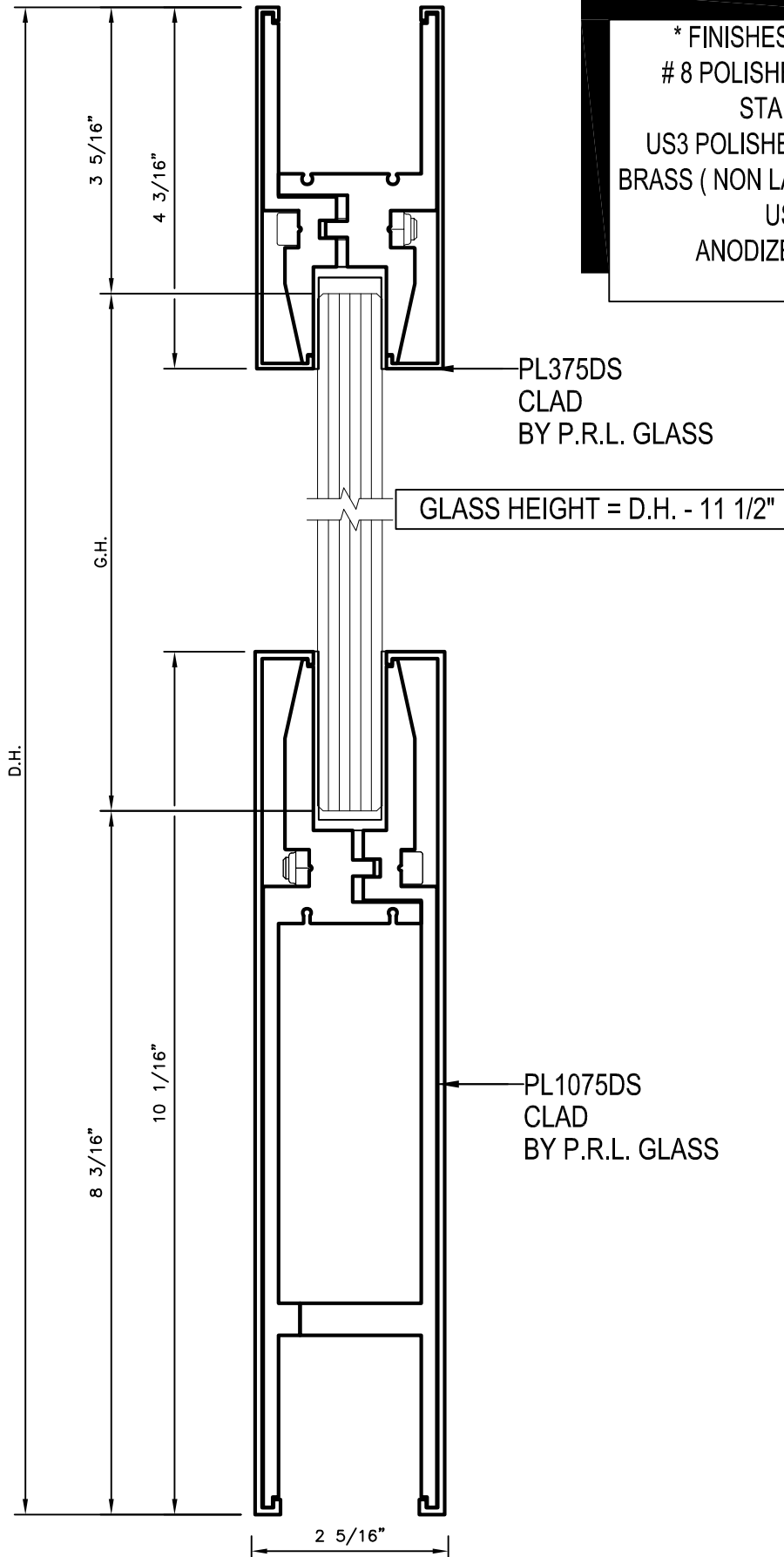


* FINISHES AVAILABLE :
8 POLISHED & # 4 SATIN
STAINLESS
US3 POLISHED & US4 SATIN
BRASS (NON LACQUER
COATED)
US10B
ANODIZED PAINTED



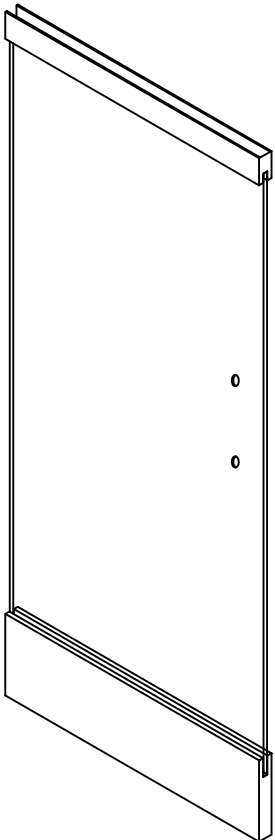
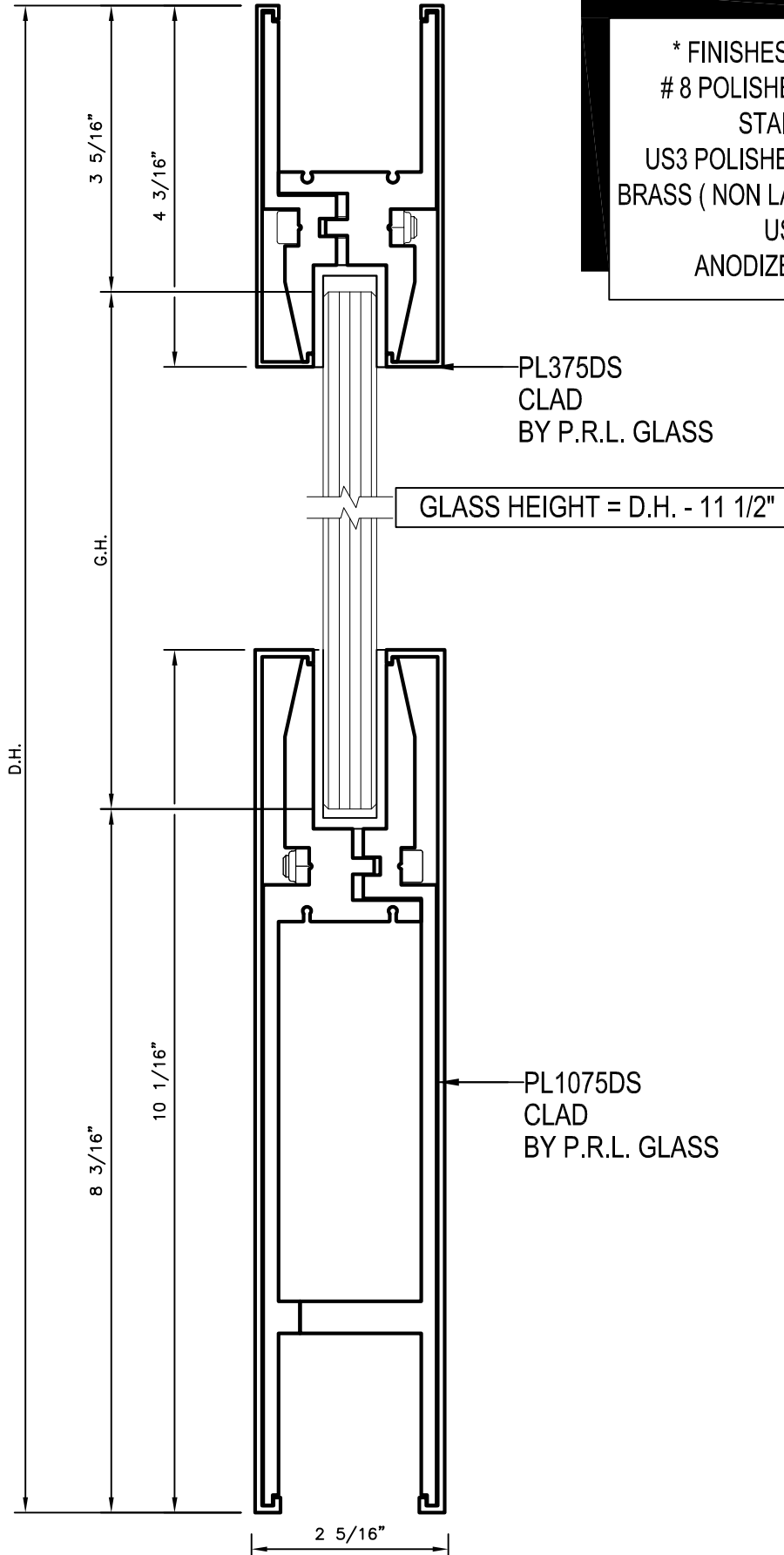


* FINISHES AVAILABLE :
8 POLISHED & # 4 SATIN
STAINLESS
US3 POLISHED & US4 SATIN
BRASS (NON LACQUER COATED)
US10B
ANODIZED PAINTED



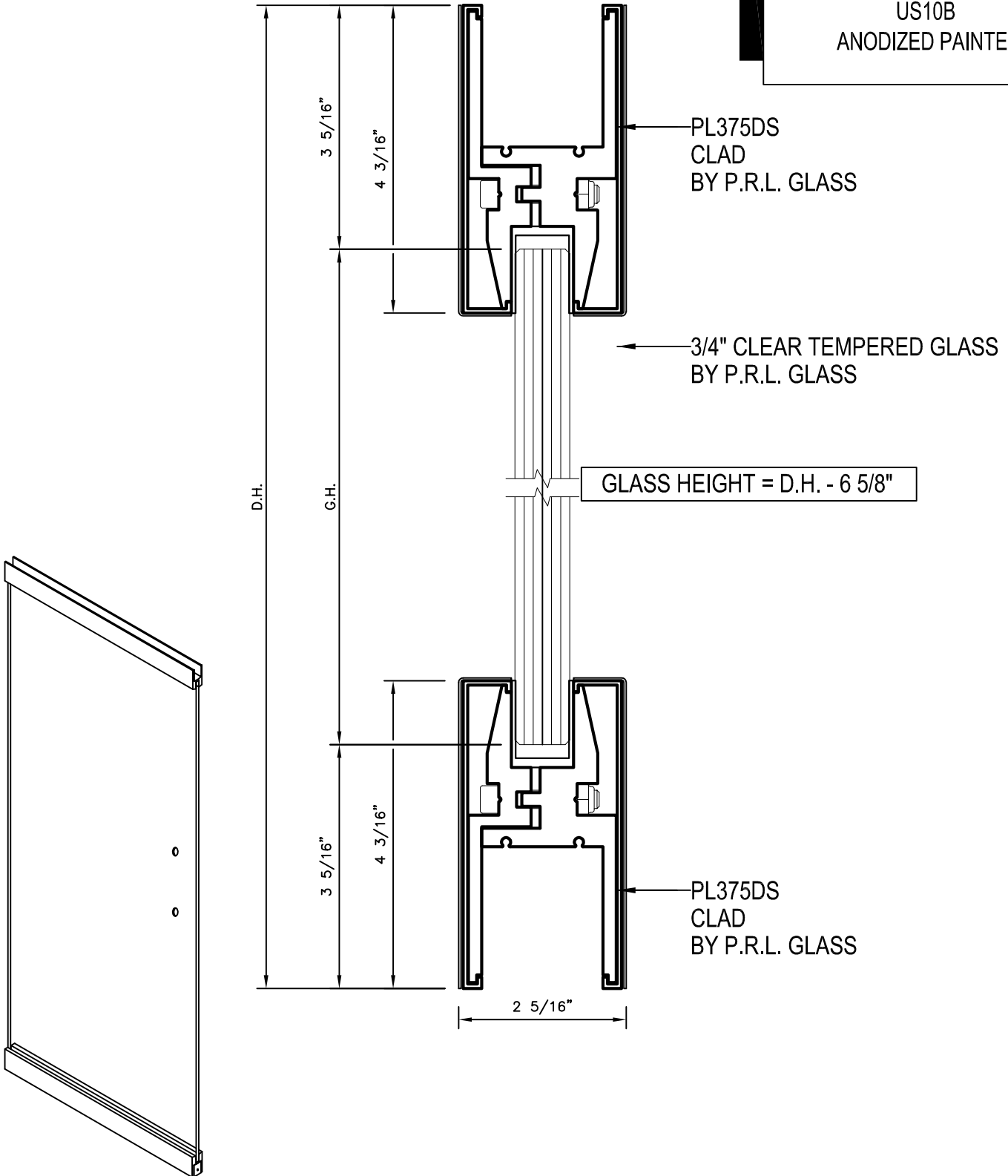


* FINISHES AVAILABLE :
8 POLISHED & # 4 SATIN
STAINLESS
US3 POLISHED & US4 SATIN
BRASS (NON LACQUER COATED)
US10B
ANODIZED PAINTED





* FINISHES AVAILABLE :
8 POLISHED & # 4 SATIN
STAINLESS
US3 POLISHED & US4 SATIN
BRASS (NON LACQUER COATED)
US10B
ANODIZED PAINTED



* FINISHES AVAILABLE :
8 POLISHED & # 4 SATIN
STAINLESS
US3 POLISHED & US4 SATIN
BRASS (NON LACQUER COATED)
US10B
ANODIZED PAINTED

