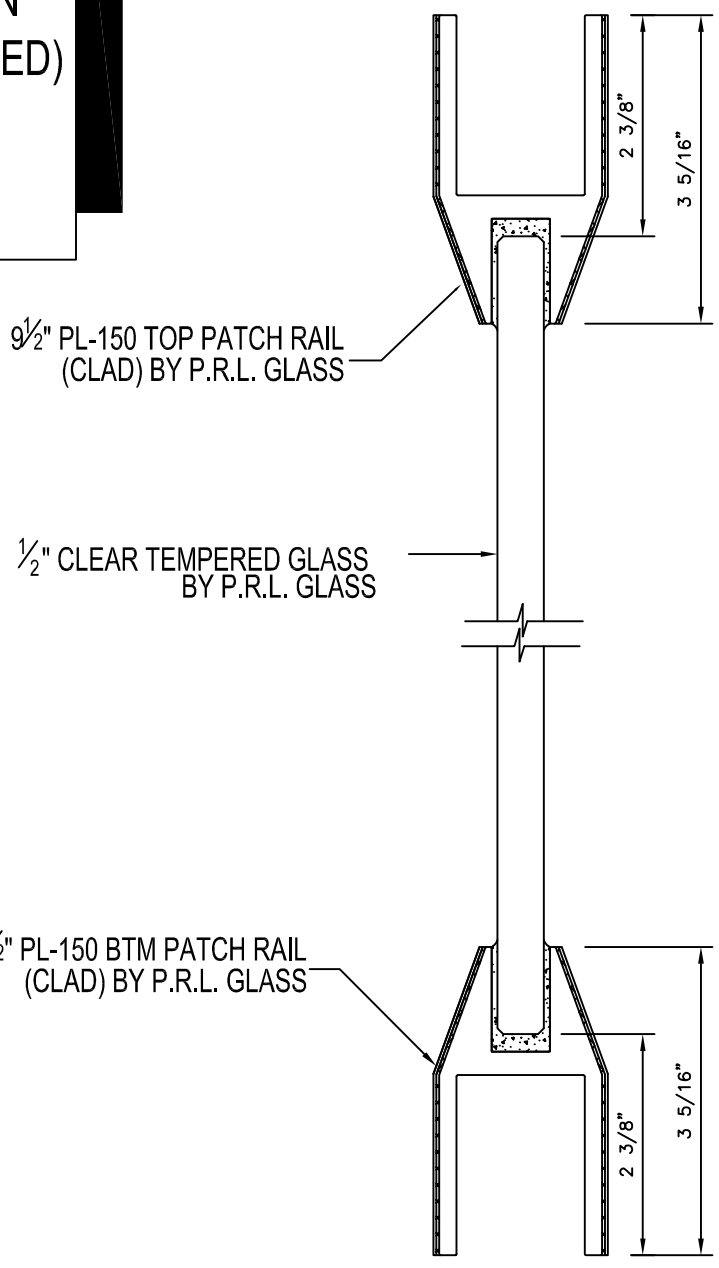
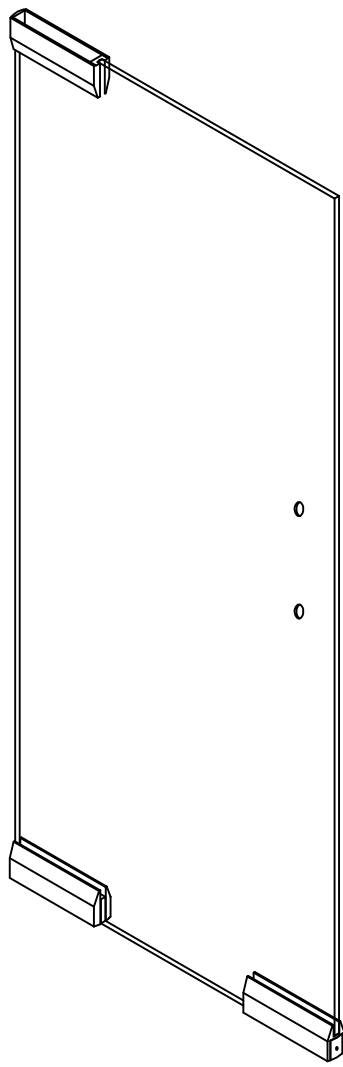


F-STYLE DOOR

9 1/2" PL150 TOP & BOTTOM

* FINISHES AVAILABLE :
8 POLISHED & # 4 SATIN
STAINLESS
US3 POLISHED & US4 SATIN
BRASS (NON LACQUER COATED)
US10B
ANODIZED PAINTED



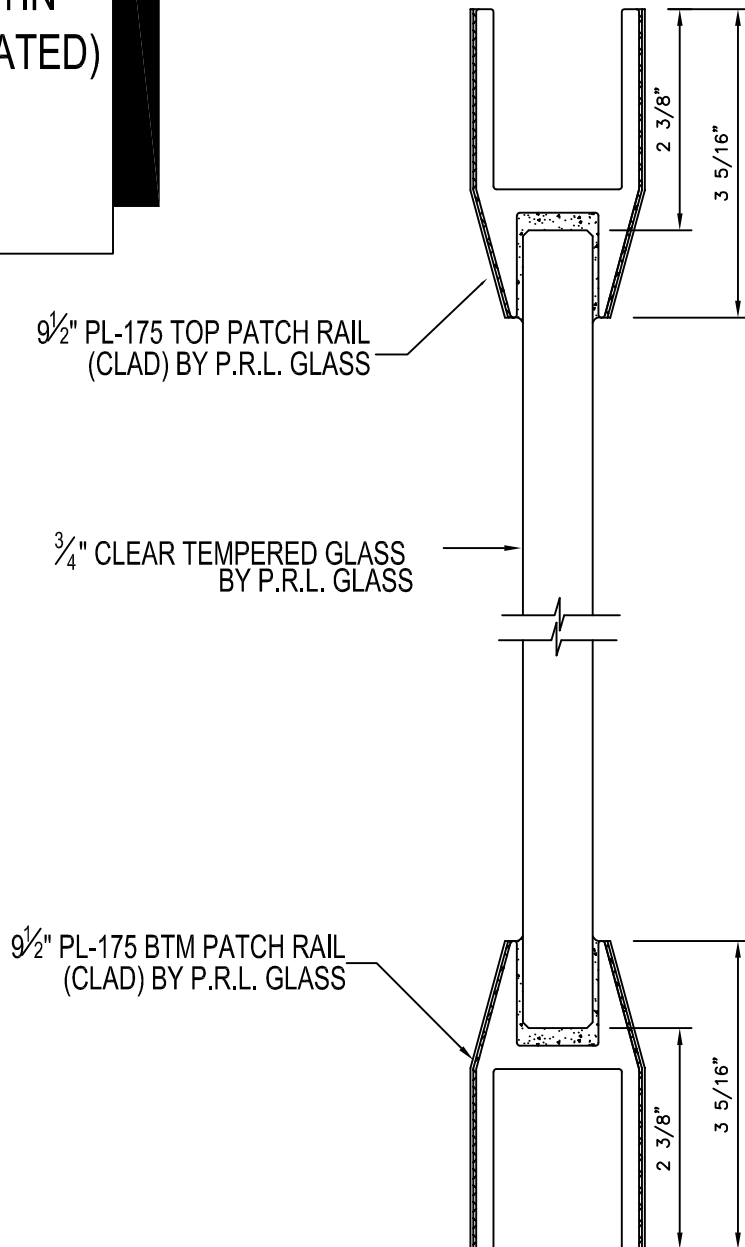
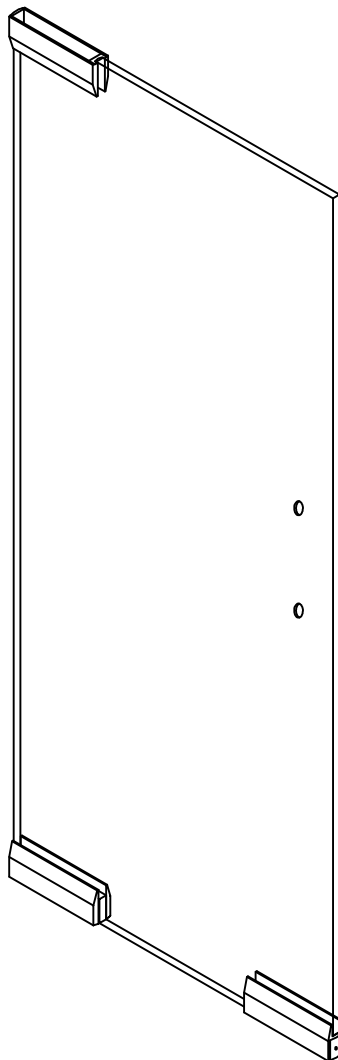
F-STYLE DOOR

9 1/2" PL175 TOP & BOTTOM

PRL GLASS
SYSTEMS
INC.



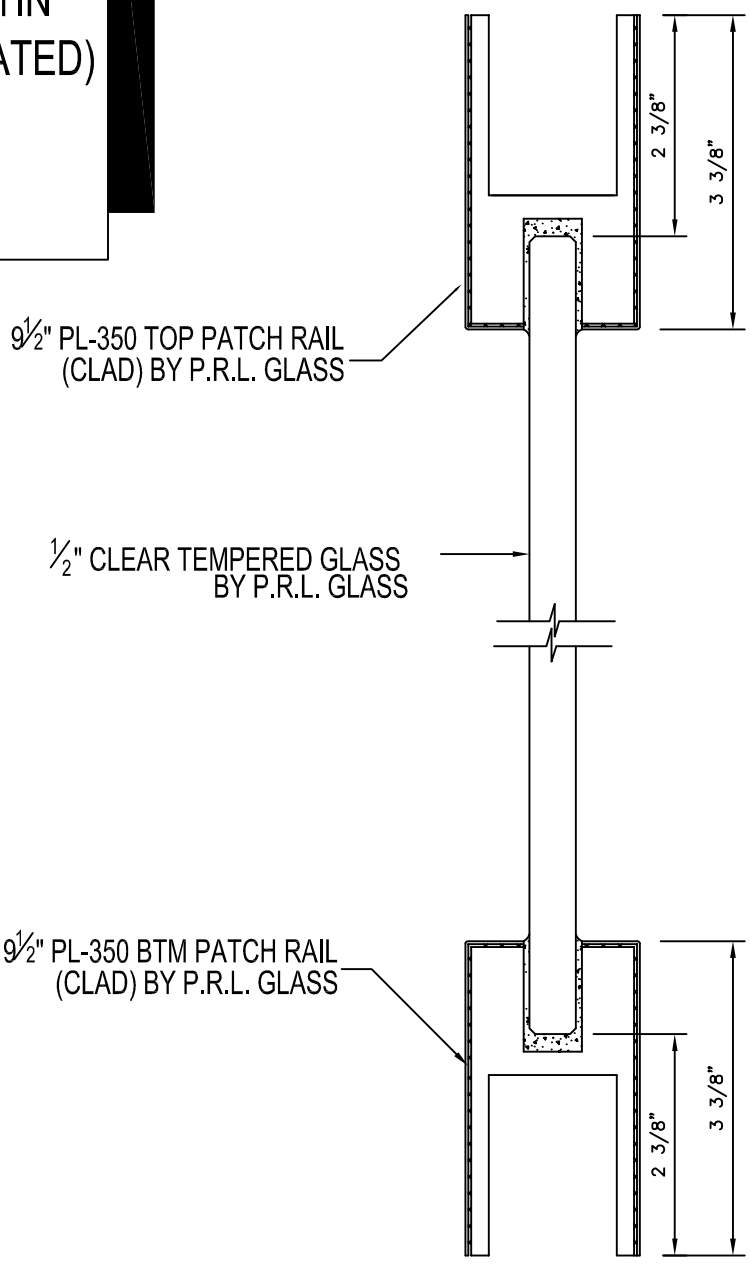
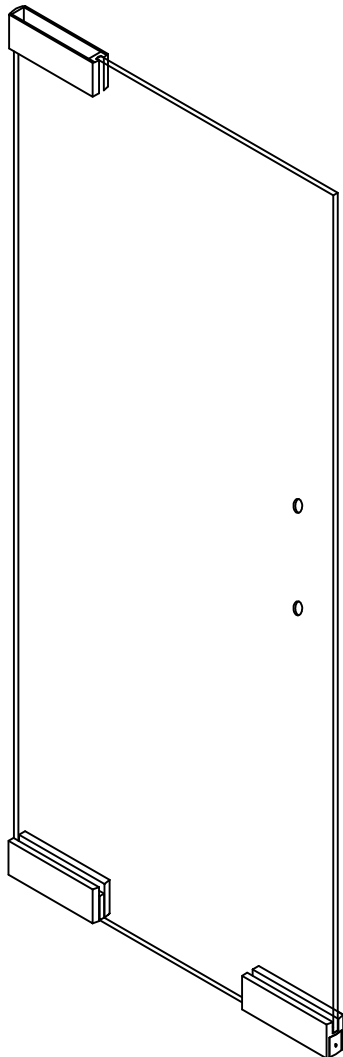
* FINISHES AVAILABLE :
8 POLISHED & # 4 SATIN
STAINLESS
US3 POLISHED & US4 SATIN
BRASS (NON LACQUER COATED)
US10B
ANODIZED PAINTED



F-STYLE DOOR

9 1/2" PL350 TOP & BOTTOM

* FINISHES AVAILABLE :
8 POLISHED & # 4 SATIN
STAINLESS
US3 POLISHED & US4 SATIN
BRASS (NON LACQUER COATED)
US10B
ANODIZED PAINTED



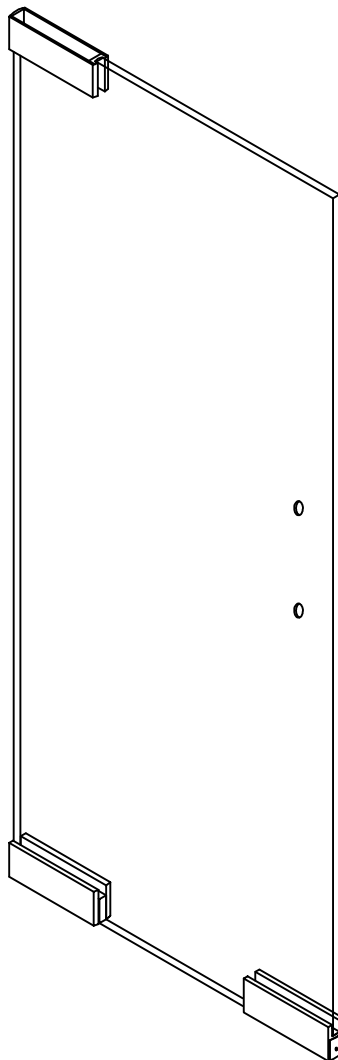
F-STYLE DOOR

9 1/2" PL375 TOP PL375 BOTTOM

PRL GLASS
SYSTEMS
INC.



* FINISHES AVAILABLE :
8 POLISHED & # 4 SATIN
STAINLESS
US3 POLISHED & US4 SATIN
BRASS (NON LACQUER COATED)
US10B
ANODIZED PAINTED



9 1/2" PL-375 TOP PATCH RAIL
(CLAD) BY P.R.L. GLASS

3/4" CLEAR TEMPERED GLASS
BY P.R.L. GLASS

9 1/2" PL-375 BTM PATCH RAIL
(CLAD) BY P.R.L. GLASS

