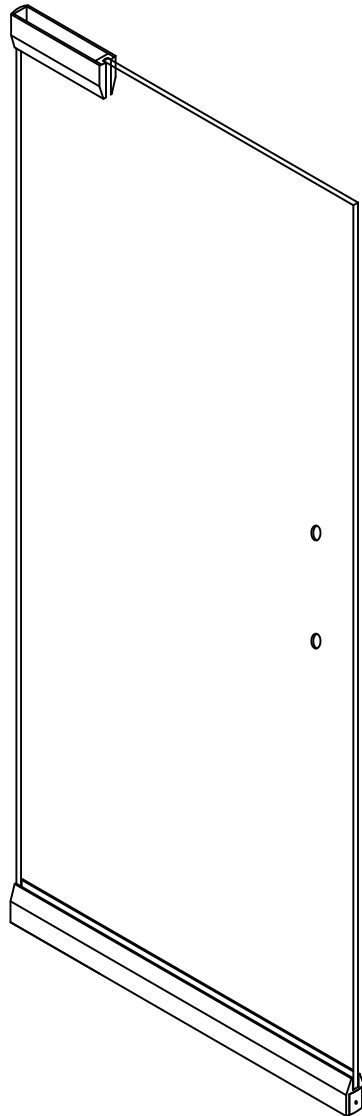


BP-STYLE DOOR 12" PL150DS TOP PL150DS BOTTOM



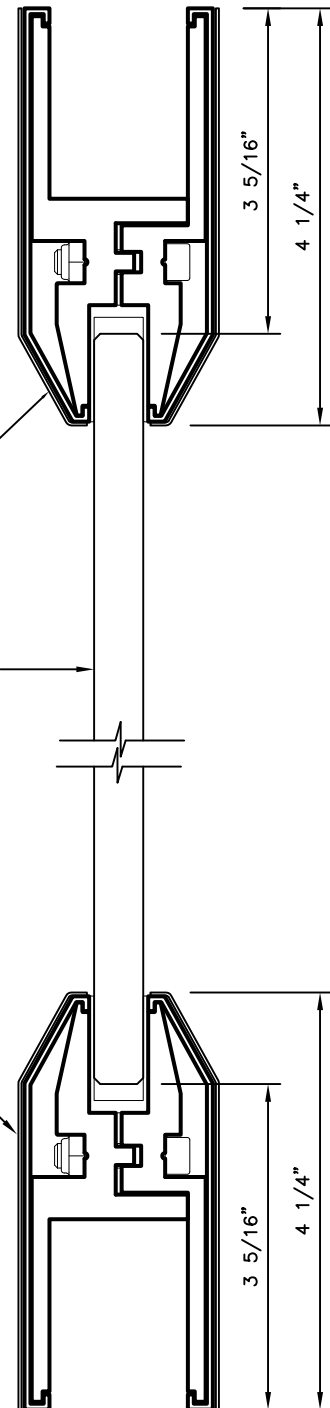
* FINISHES AVAILABLE :
8 POLISHED & # 4 SATIN
STAINLESS
US3 POLISHED & US4 SATIN
BRASS (NON LACQUER COATED)
US10B
ANODIZED PAINTED



12" PL-150DS TOP PATCH RAIL
(CLAD) BY P.R.L. GLASS

1/2" CLEAR TEMPERED GLASS
BY P.R.L. GLASS

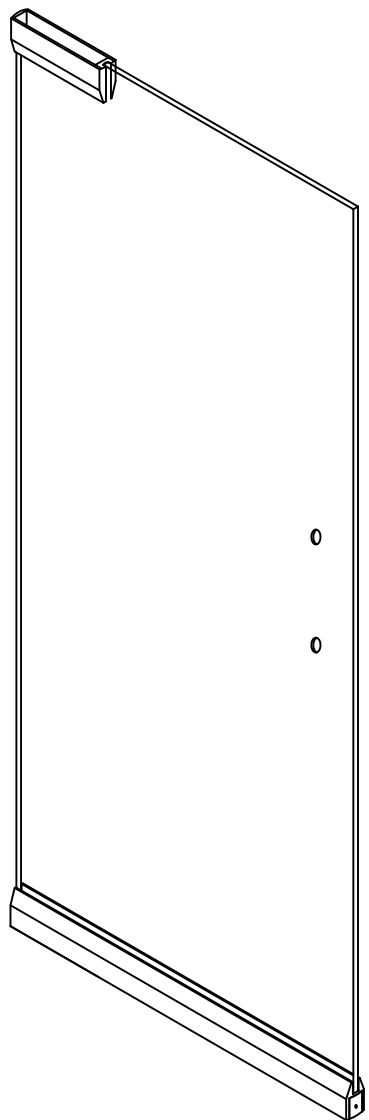
PL-150DS
BTM RAIL (CLAD)
BY P.R.L. GLASS



BP-STYLE DOOR 12" PL175DS TOP PL175DS BOTTOM



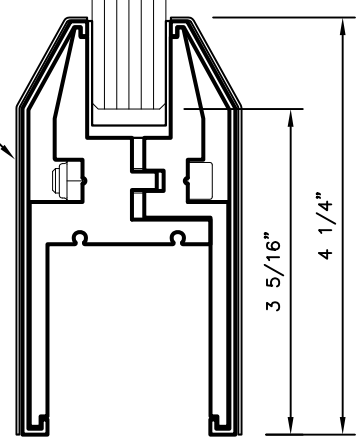
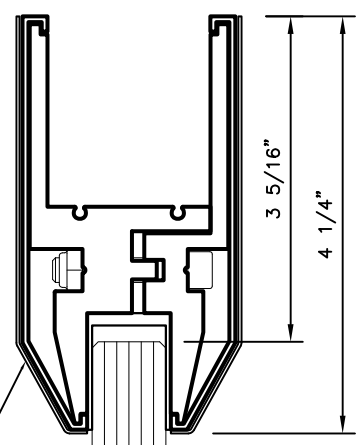
* FINISHES AVAILABLE :
8 POLISHED & # 4 SATIN
STAINLESS
US3 POLISHED & US4 SATIN
BRASS (NON LACQUER COATED)
US10B
ANODIZED PAINTED



12" PL-175DS TOP PATCH RAIL
(CLAD) BY P.R.L. GLASS

$\frac{3}{4}$ " CLEAR TEMPERED GLASS
BY P.R.L. GLASS

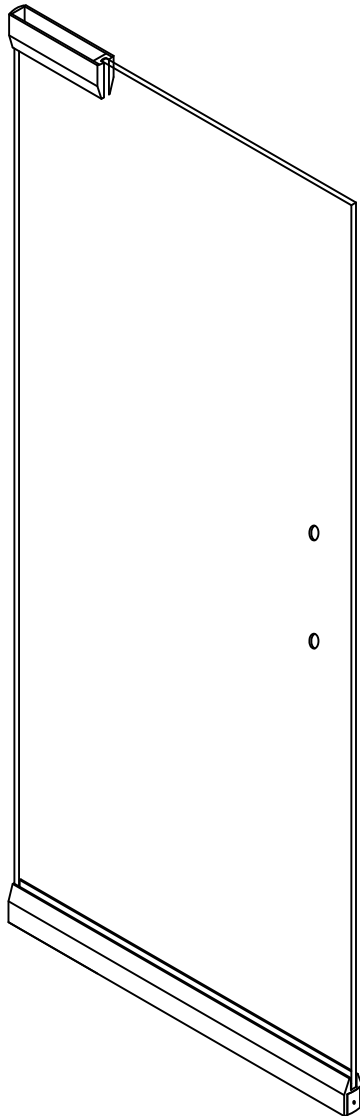
PL-175DS
BTM RAIL (CLAD)
BY P.R.L. GLASS



BP-STYLE DOOR 12" PL175DS TOP PL175DS BOTTOM



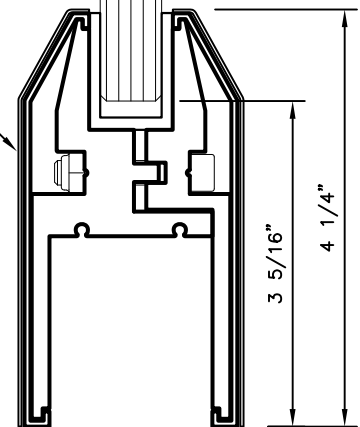
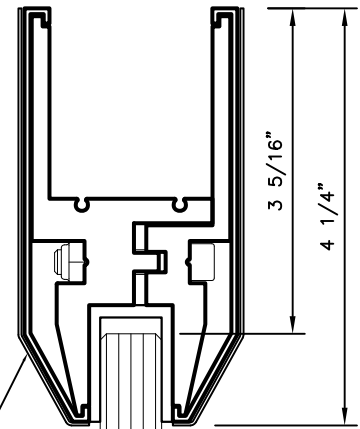
* FINISHES AVAILABLE :
8 POLISHED & # 4 SATIN
STAINLESS
US3 POLISHED & US4 SATIN
BRASS (NON LACQUER COATED)
US10B
ANODIZED PAINTED



12" PL-175DS TOP PATCH RAIL
(CLAD) BY P.R.L. GLASS

$\frac{5}{8}$ " CLEAR TEMPERED GLASS
BY P.R.L. GLASS

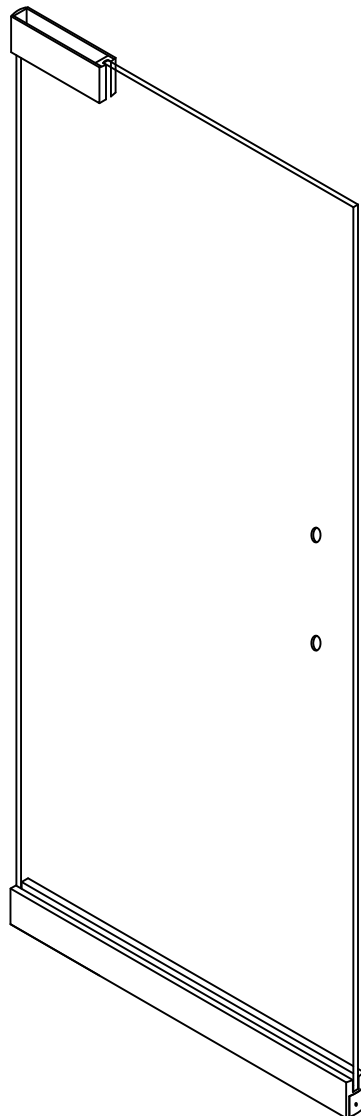
PL-175DS
BTM RAIL (CLAD)
BY P.R.L. GLASS



BP-STYLE DOOR 12" PL350DS TOP PL350DS BOTTOM



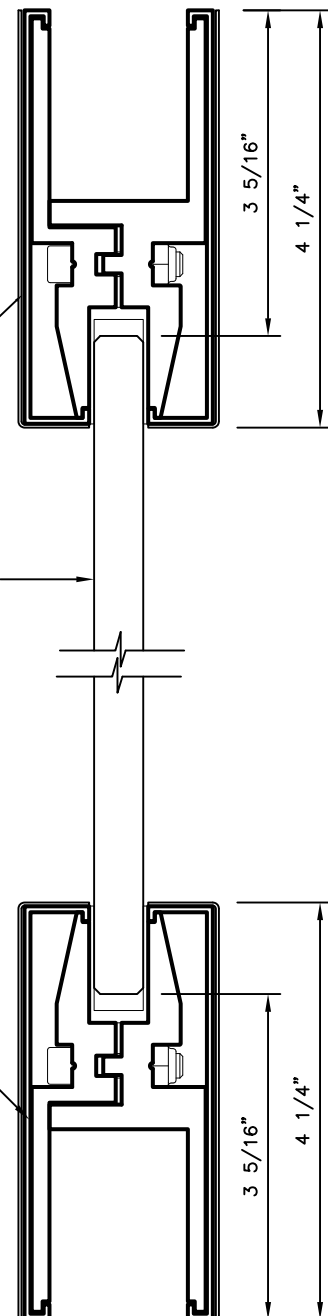
* FINISHES AVAILABLE :
8 POLISHED & # 4 SATIN
STAINLESS
US3 POLISHED & US4 SATIN
BRASS (NON LACQUER COATED)
US10B
ANODIZED PAINTED



12" PL-350DS TOP PATCH RAIL
(CLAD) BY P.R.L. GLASS

1/2" CLEAR TEMPERED GLASS
BY P.R.L. GLASS

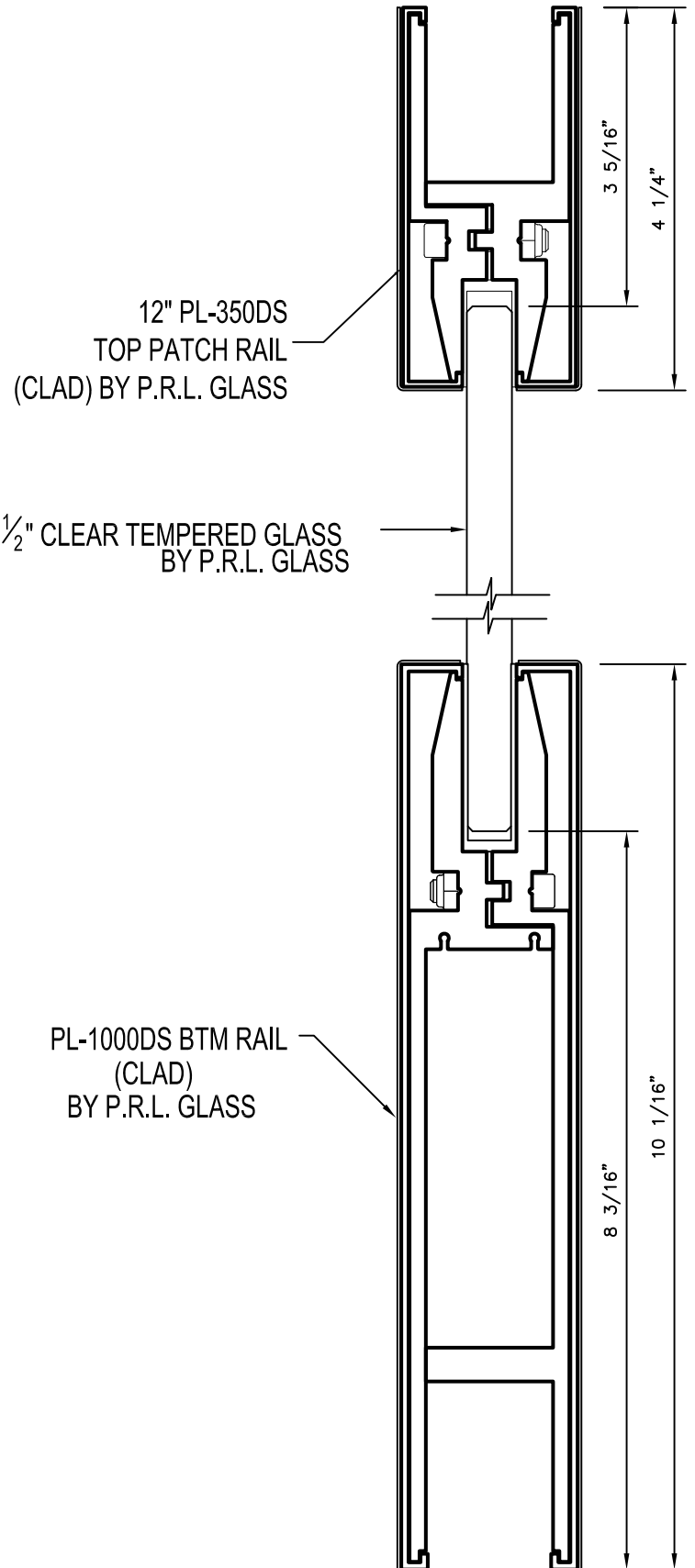
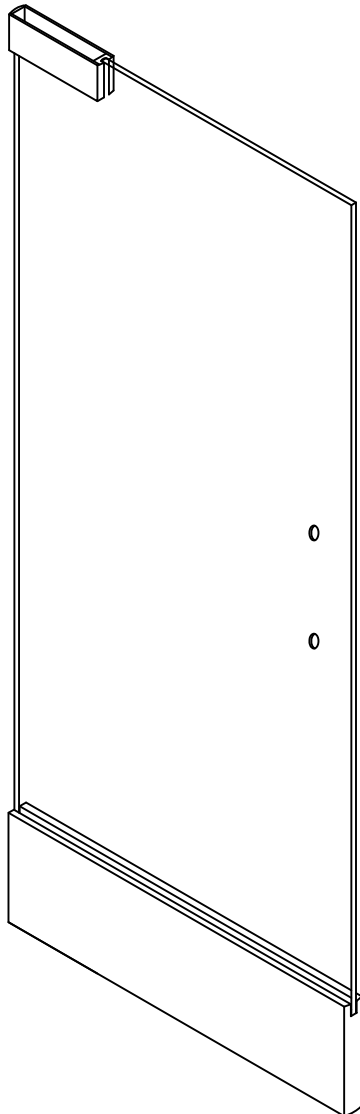
PL-350DS BTM RAIL
(CLAD)
BY P.R.L. GLASS





BP-STYLE DOOR 12" PL350DS TOP PL1000DS BOTTOM

* FINISHES AVAILABLE :
8 POLISHED & # 4 SATIN
STAINLESS
US3 POLISHED & US4 SATIN
BRASS (NON LACQUER COATED)
US10B
ANODIZED PAINTED

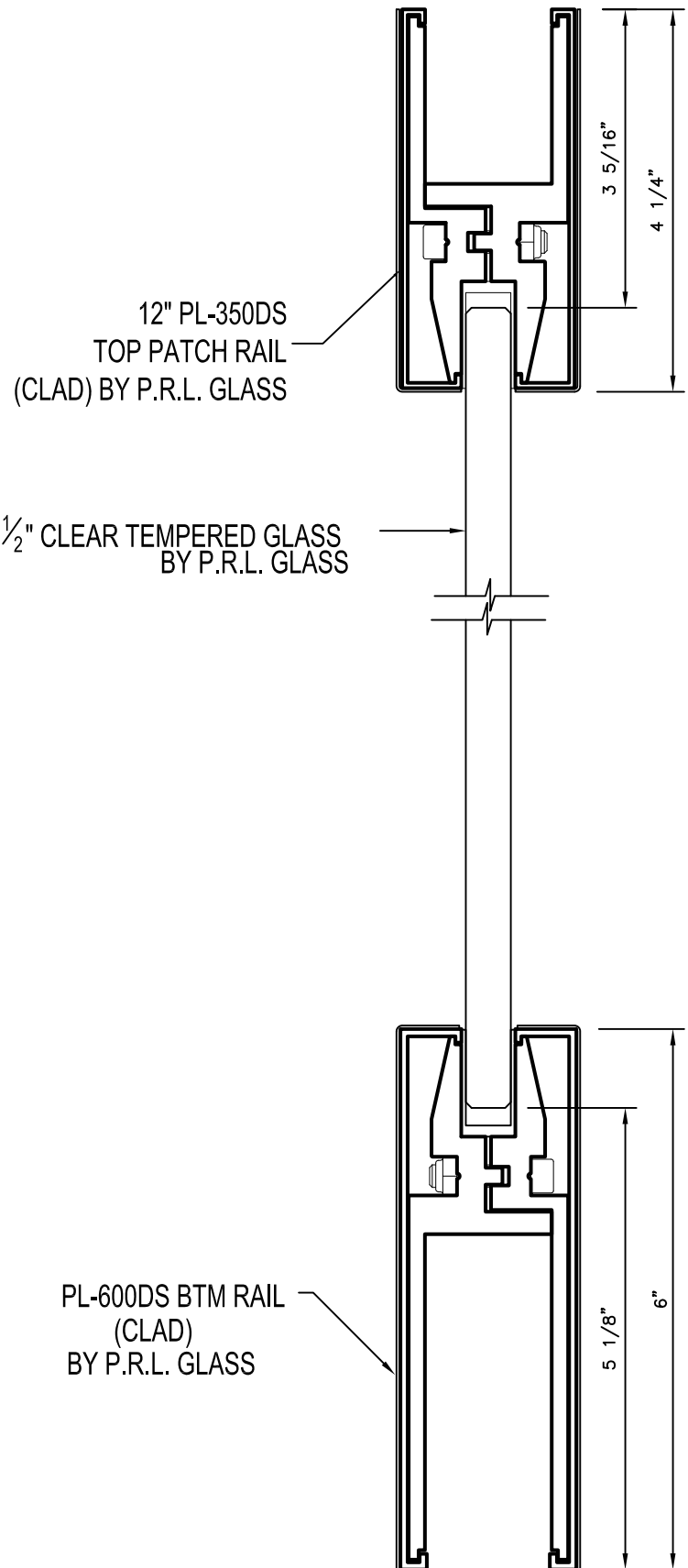
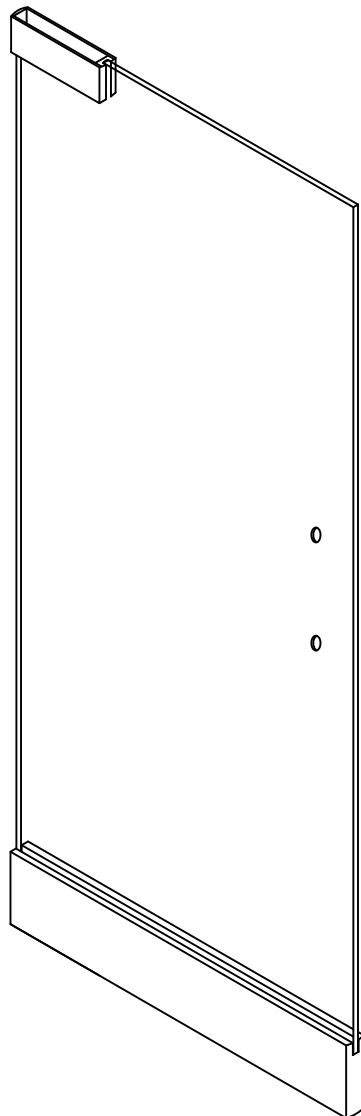


BP-STYLE DOOR 12" PL350DS TOP PL600DS BOTTOM

PRL GLASS SYSTEMS INC.



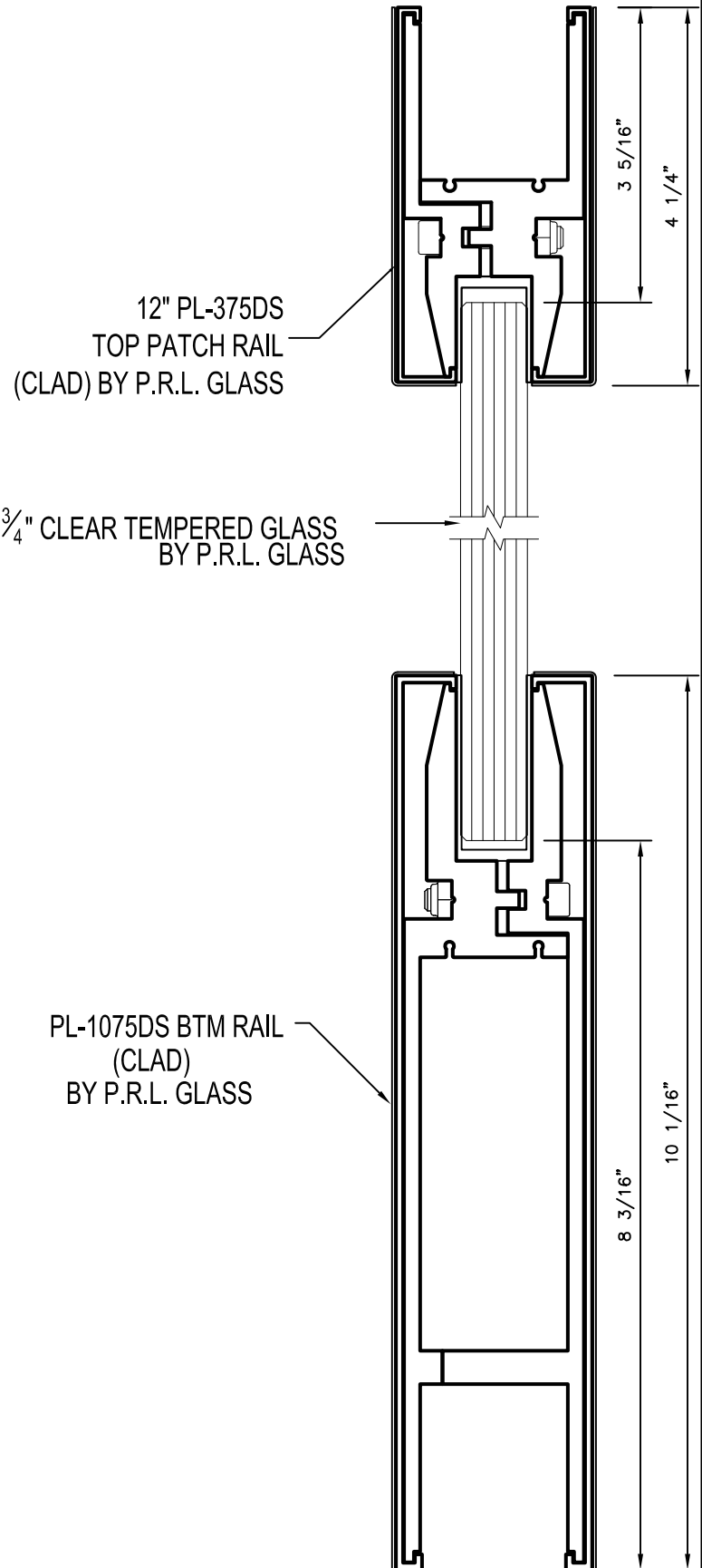
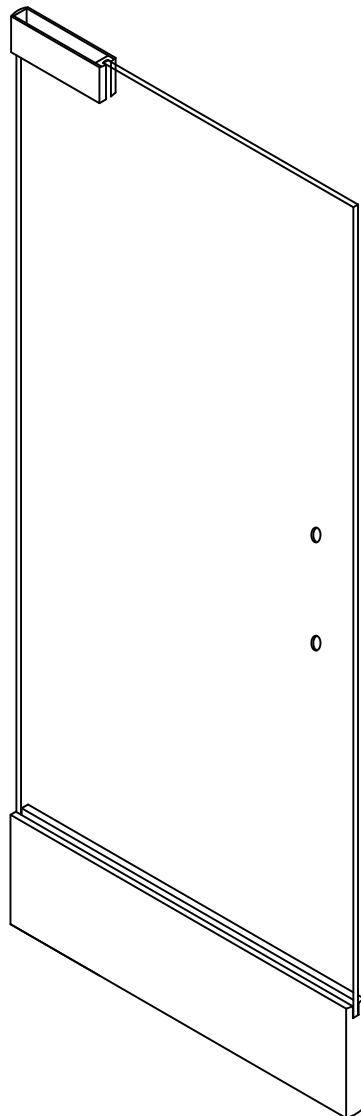
* FINISHES AVAILABLE :
8 POLISHED & # 4 SATIN
STAINLESS
US3 POLISHED & US4 SATIN
BRASS (NON LACQUER COATED)
US10B
ANODIZED PAINTED





BP-STYLE DOOR 12" PL375DS TOP PL1075DS BOTTOM

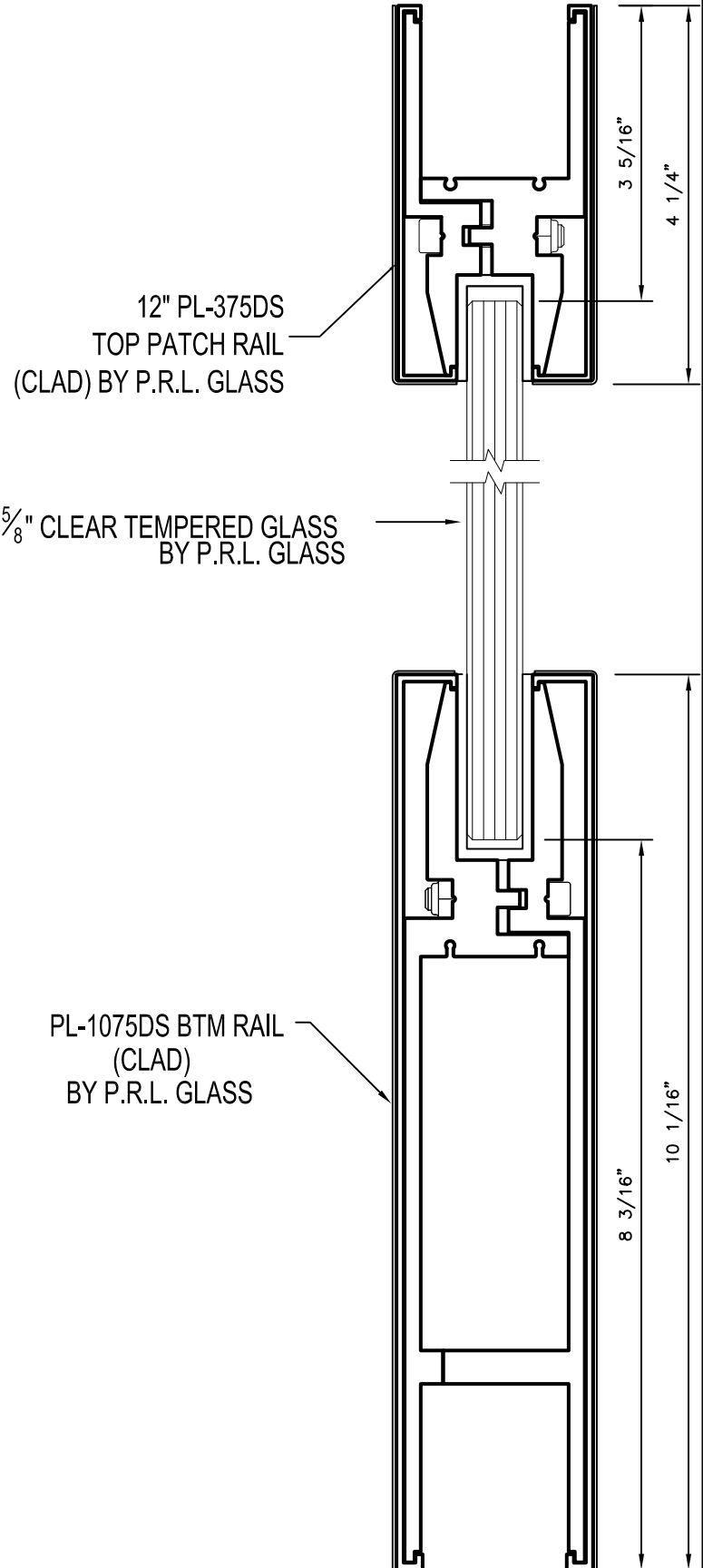
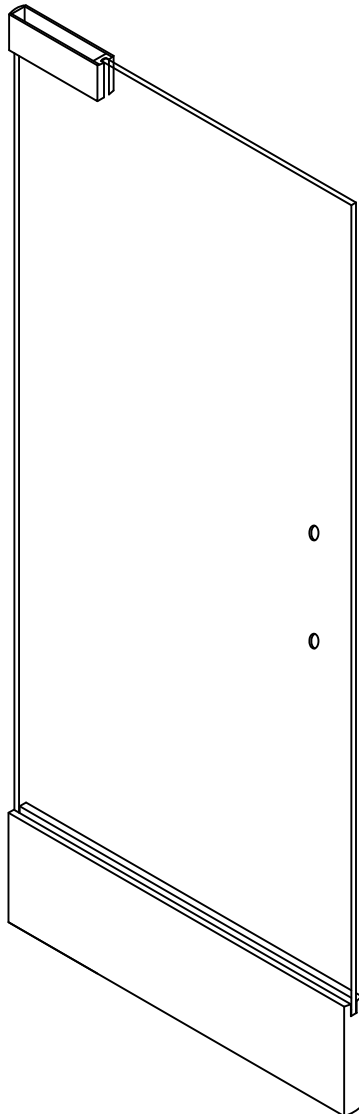
* FINISHES AVAILABLE :
8 POLISHED & # 4 SATIN
STAINLESS
US3 POLISHED & US4 SATIN
BRASS (NON LACQUER COATED)
US10B
ANODIZED PAINTED





BP-STYLE DOOR 12" PL375DS TOP PL1075DS BOTTOM

* FINISHES AVAILABLE :
8 POLISHED & # 4 SATIN
STAINLESS
US3 POLISHED & US4 SATIN
BRASS (NON LACQUER COATED)
US10B
ANODIZED PAINTED

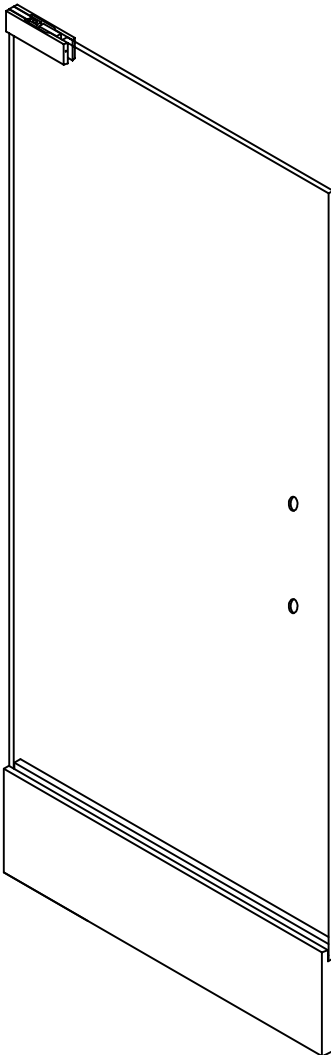


BP-STYLE DOOR EURO TOP PATCH PL1000DS BOTTOM

PRL GLASS SYSTEMS INC.



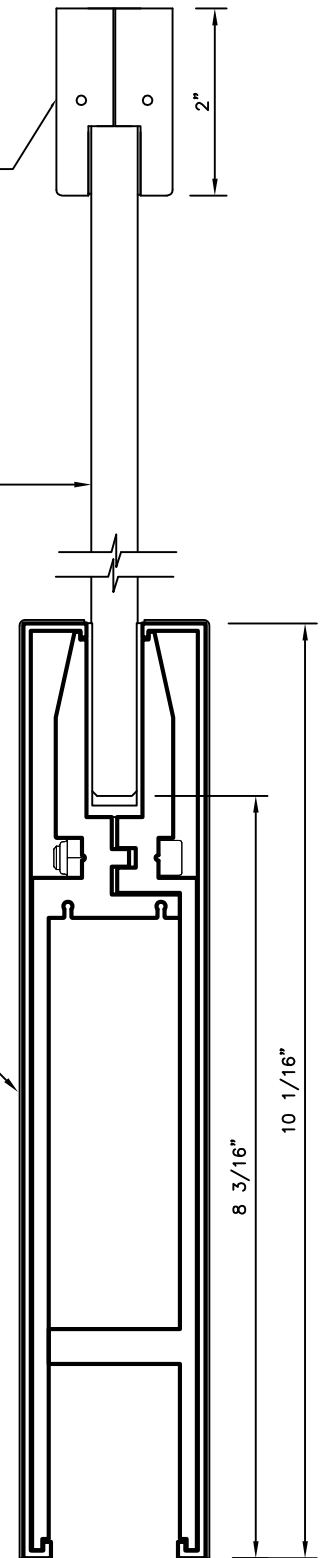
* FINISHES AVAILABLE :
8 POLISHED & # 4 SATIN
STAINLESS
US3 POLISHED & US4 SATIN
BRASS (NON LACQUER COATED)
US10B
ANODIZED PAINTED



PL424 - 2 X 6¹/₂"
EURO TOP PATCH
(CLAD) BY P.R.L. GLASS

1/2" CLEAR TEMPERED GLASS
BY P.R.L. GLASS

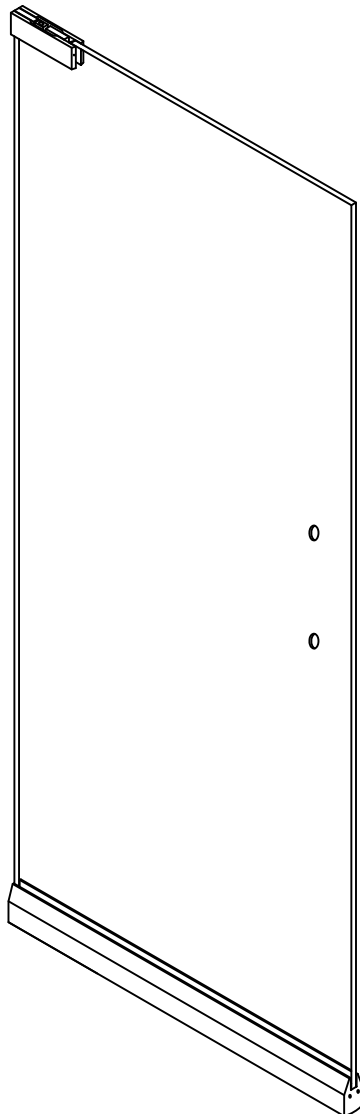
PL-1000DS BTM RAIL
(CLAD)
BY P.R.L. GLASS



BP-STYLE DOOR EURO TOP PATCH PL150DS BOTTOM



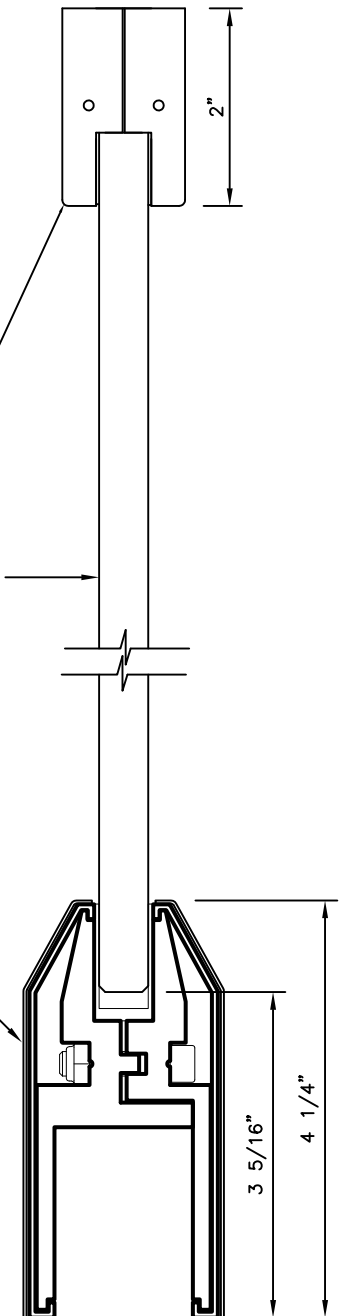
* FINISHES AVAILABLE :
8 POLISHED & # 4 SATIN
STAINLESS
US3 POLISHED & US4 SATIN
BRASS (NON LACQUER COATED)
US10B
ANODIZED PAINTED



PL424 - 2 X 6 $\frac{1}{2}$ " EURO TOP PATCH
(CLAD) BY P.R.L. GLASS

$\frac{1}{2}$ " CLEAR TEMPERED GLASS
BY P.R.L. GLASS

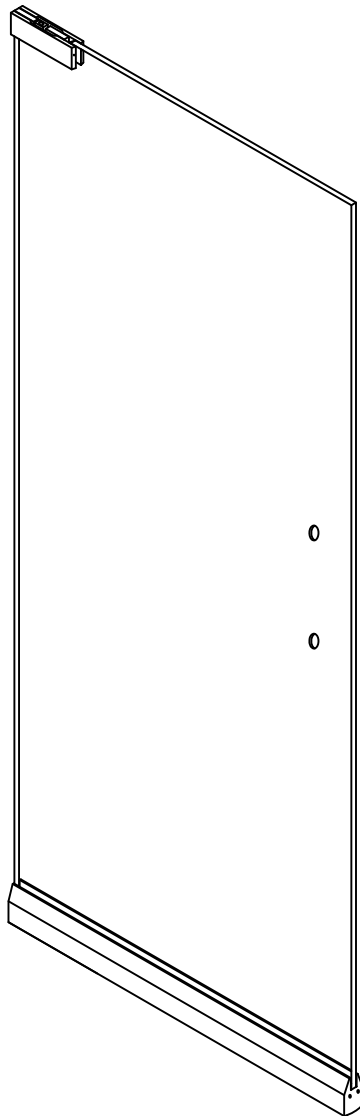
PL-150DS
BTM RAIL (CLAD)
BY P.R.L. GLASS



BP-STYLE DOOR EURO TOP PATCH PL175DS BOTTOM



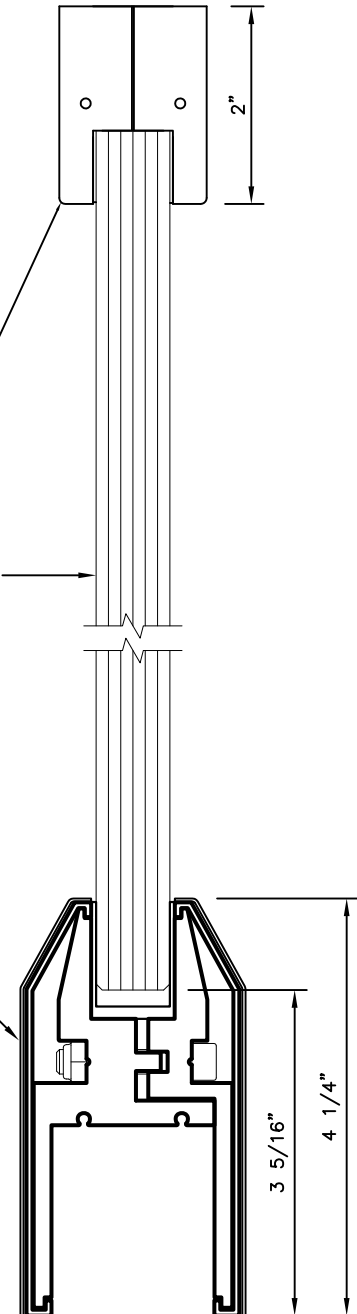
* FINISHES AVAILABLE :
8 POLISHED & # 4 SATIN
STAINLESS
US3 POLISHED & US4 SATIN
BRASS (NON LACQUER COATED)
US10B
ANODIZED PAINTED



PL420 - 2 X 6 1/2" EURO TOP PATCH
(CLAD) BY P.R.L. GLASS

3/4" CLEAR TEMPERED GLASS
BY P.R.L. GLASS

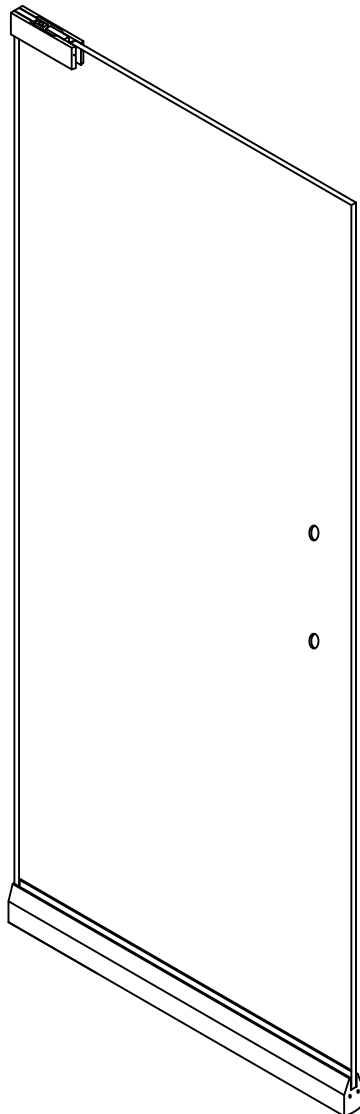
PL-175DS
BTM RAIL (CLAD)
BY P.R.L. GLASS



BP-STYLE DOOR EURO TOP PATCH PL175DS BOTTOM



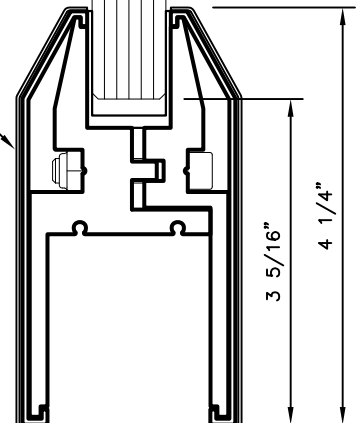
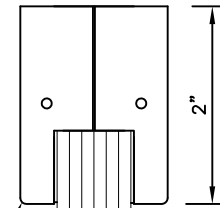
* FINISHES AVAILABLE :
8 POLISHED & # 4 SATIN
STAINLESS
US3 POLISHED & US4 SATIN
BRASS (NON LACQUER COATED)
US10B
ANODIZED PAINTED



PL420 - 2 X 6 $\frac{1}{2}$ " EURO TOP PATCH
(CLAD) BY P.R.L. GLASS

$\frac{5}{8}$ " CLEAR TEMPERED GLASS
BY P.R.L. GLASS

PL-175DS
BTM RAIL (CLAD)
BY P.R.L. GLASS

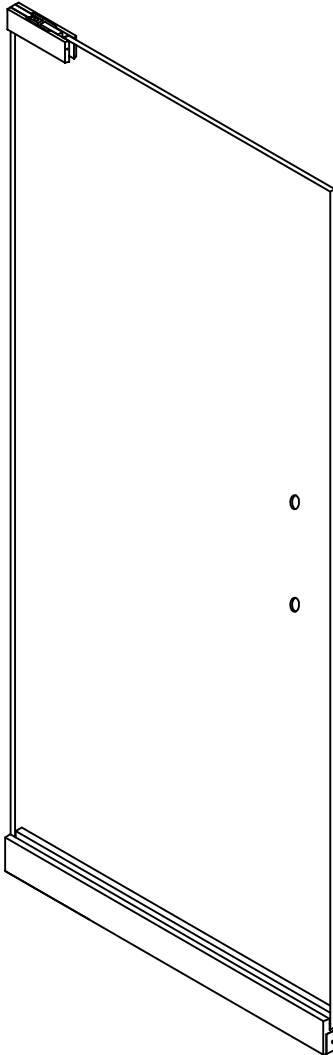


BP-STYLE DOOR EURO TOP PATCH PL350DS BOTTOM

PRL GLASS SYSTEMS INC.



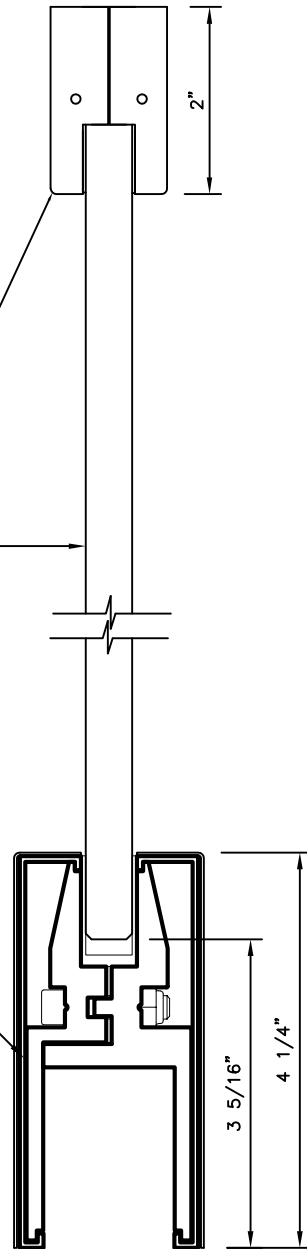
* FINISHES AVAILABLE :
8 POLISHED & # 4 SATIN
STAINLESS
US3 POLISHED & US4 SATIN
BRASS (NON LACQUER COATED)
US10B
ANODIZED PAINTED



PL424 - 2 X 6 $\frac{1}{2}$ " EURO TOP PATCH
(CLAD) BY P.R.L. GLASS

$\frac{1}{2}$ " CLEAR TEMPERED GLASS
BY P.R.L. GLASS

PL-350DS BTM RAIL
(CLAD)
BY P.R.L. GLASS

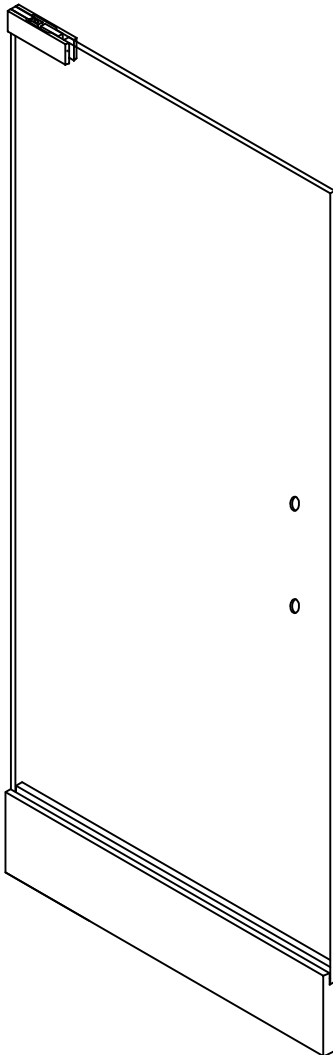


BP-STYLE DOOR EURO TOP PATCH PL600DS BOTTOM

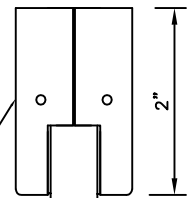
PRL GLASS SYSTEMS INC.



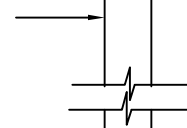
* FINISHES AVAILABLE :
8 POLISHED & # 4 SATIN
STAINLESS
US3 POLISHED & US4 SATIN
BRASS (NON LACQUER COATED)
US10B
ANODIZED PAINTED



PL424 - 2 X 6 1/2"
EURO TOP PATCH
(CLAD) BY P.R.L. GLASS



1/2" CLEAR TEMPERED GLASS
BY P.R.L. GLASS



PL-600DS BTM RAIL
(CLAD)
BY P.R.L. GLASS

