

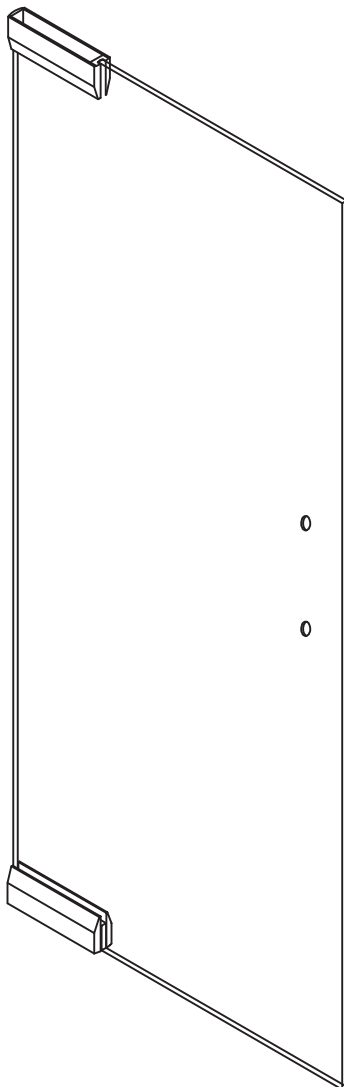
A-STYLE DOOR

9 1/2" PL150DS TOP & BOTTOM

PRL GLASS
SYSTEMS
INC.



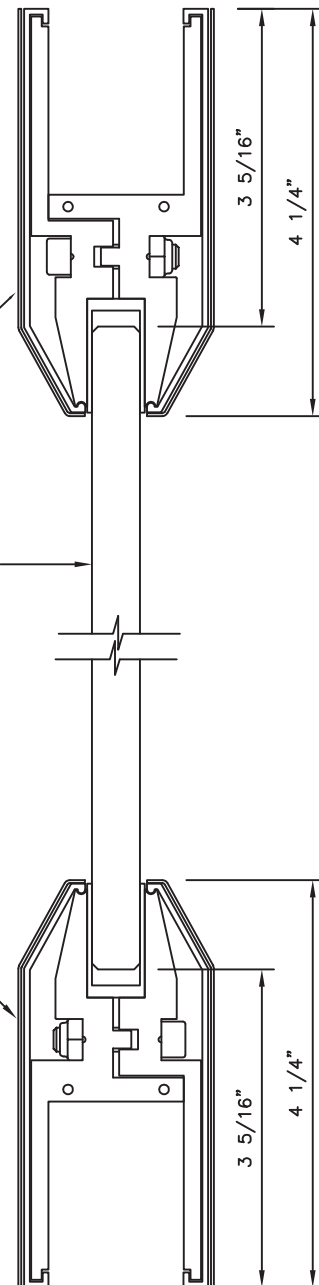
★ FINISHES AVAILABLE :
8 POLISHED & # 4 SATIN
STAINLESS
US3 POLISHED & US4 SATIN
BRASS (NON LACQUER COATED)
US10B
ANODIZED PAINTED



9/2" PL-150DS TOP PATCH RAIL
(CLAD) BY P.R.L. GLASS

1/2" CLEAR TEMPERED GLASS
BY P.R.L. GLASS

9/2" PL-150DS BTM PATCH RAIL
(CLAD) BY P.R.L. GLASS



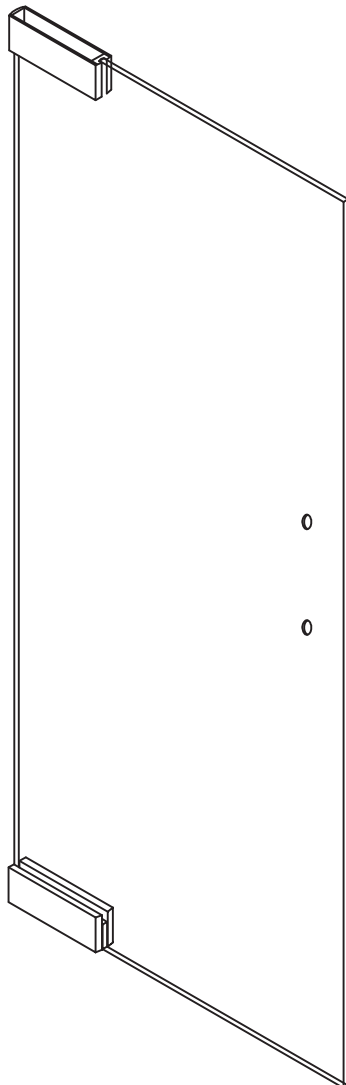
A-STYLE DOOR

9 1/2" PL350DS TOP & BOTTOM

PRL GLASS
SYSTEMS
INC.



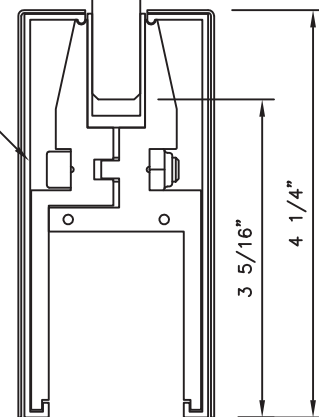
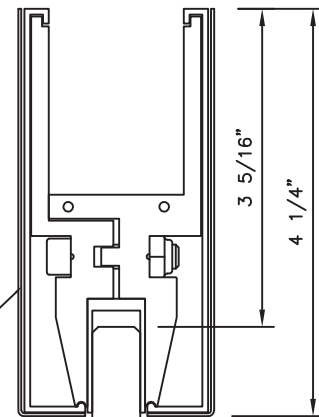
★ FINISHES AVAILABLE :
8 POLISHED & # 4 SATIN
STAINLESS
US3 POLISHED & US4 SATIN
BRASS (NON LACQUER COATED)
US10B
ANODIZED PAINTED



9 1/2" PL-350DS TOP PATCH RAIL
(CLAD) BY P.R.L. GLASS

1/2" CLEAR TEMPERED GLASS
BY P.R.L. GLASS

9 1/2" PL-350DS BTM PATCH RAIL
(CLAD) BY P.R.L. GLASS

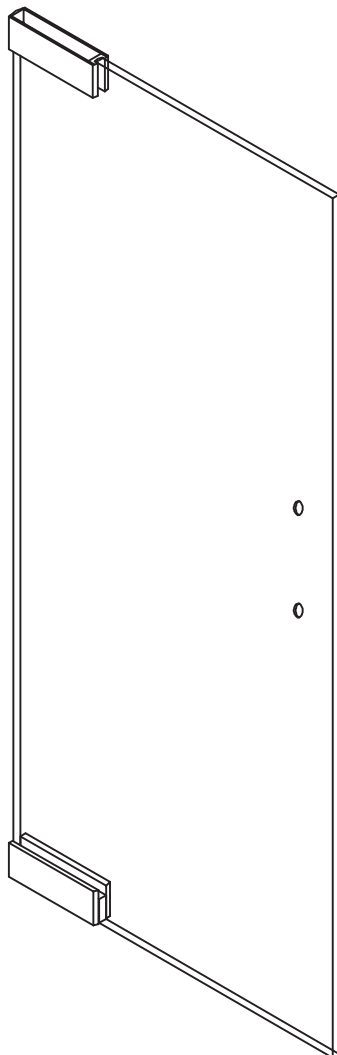


A-STYLE DOOR

9¹/₂" PL375 TOP PL375 BOTTOM



★ FINISHES AVAILABLE :
8 POLISHED & # 4 SATIN
STAINLESS
US3 POLISHED & US4 SATIN
BRASS (NON LACQUER COATED)
US10B
ANODIZED PAINTED



9¹/₂" PL-375 TOP PATCH RAIL
(CLAD) BY P.R.L. GLASS

3/4" CLEAR TEMPERED GLASS
BY P.R.L. GLASS

9¹/₂" PL-375 BTM PATCH RAIL
(CLAD) BY P.R.L. GLASS

